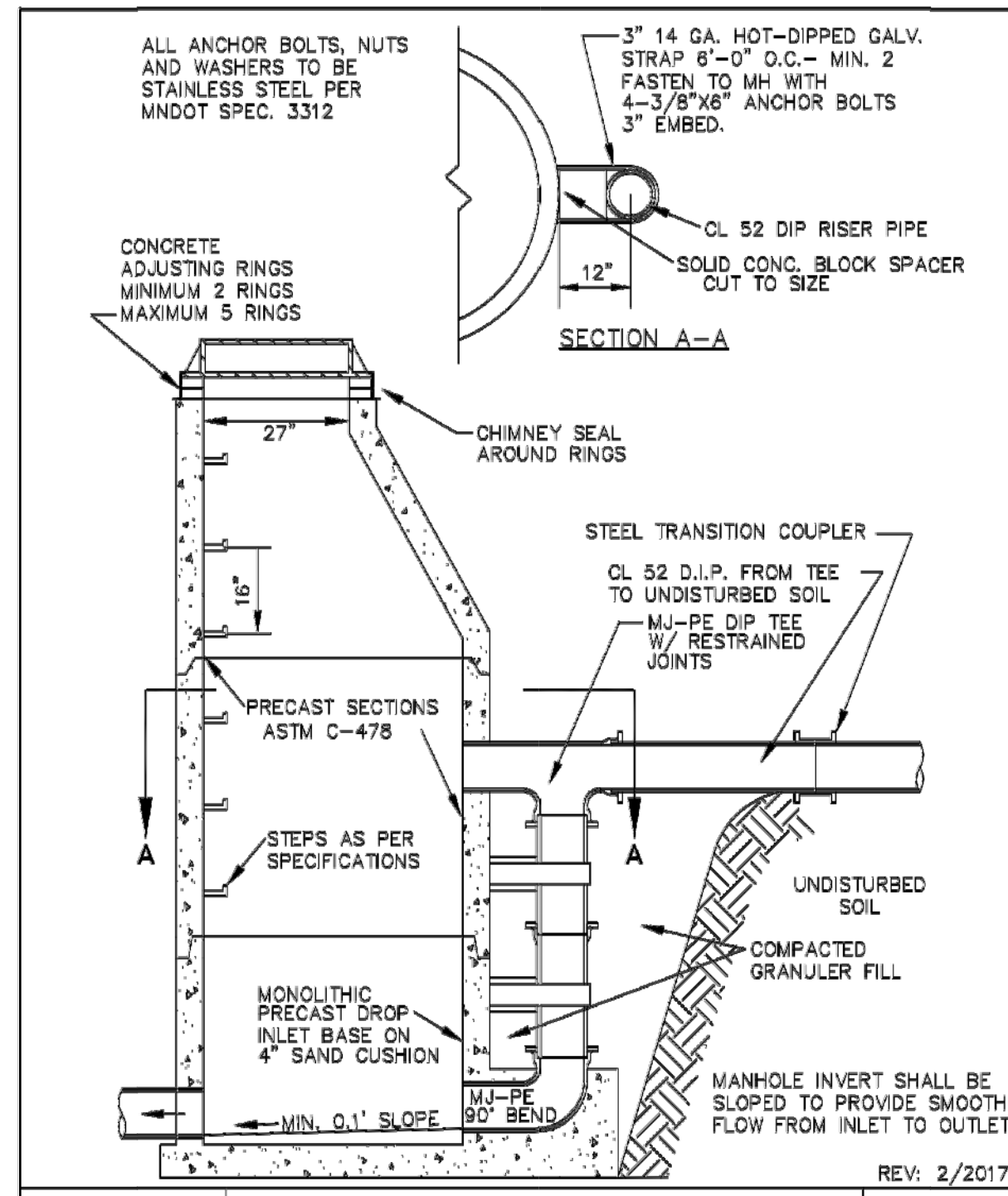


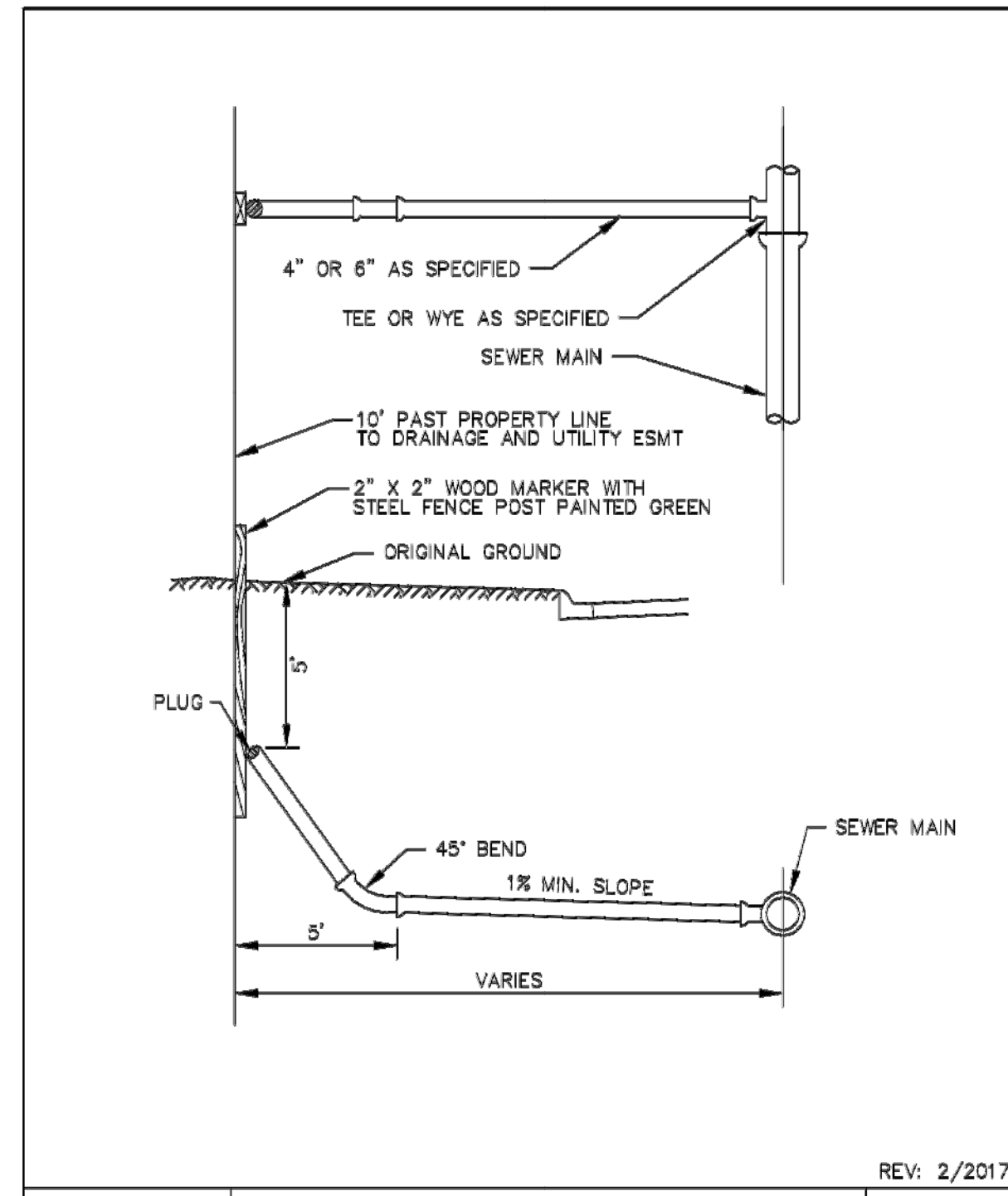
REV: 2/2017

STANDARD MANHOLE
STANDARD PLATE NO. **4000**



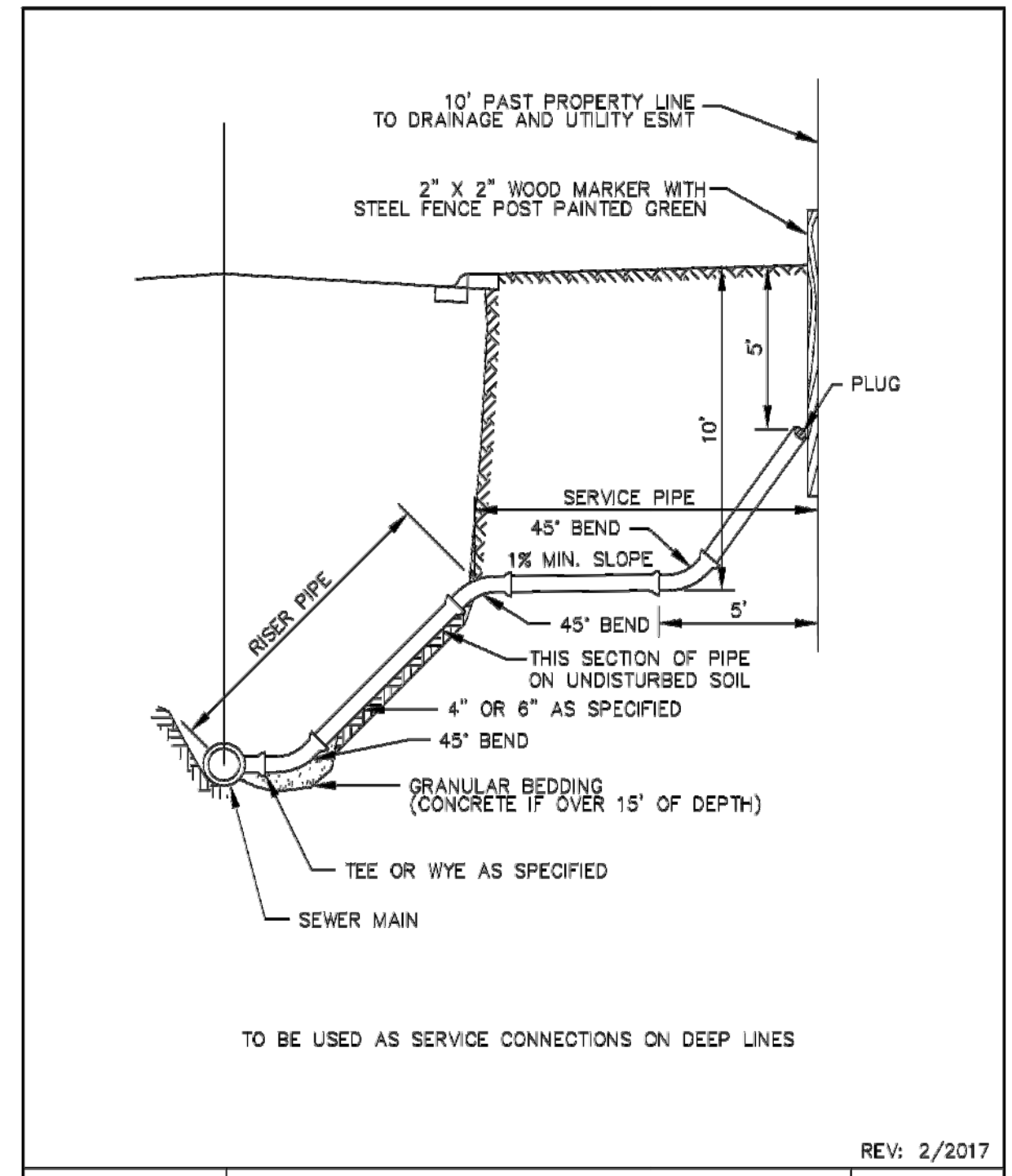
REV: 2/2017

OUTSIDE DROP MANHOLE
STANDARD PLATE NO. **4004**



REV: 2/2017

TYPICAL HOUSE SERVICE
STANDARD PLATE NO. **4007**



REV: 2/2017

SERVICE RISER SECTION
STANDARD PLATE NO. **4008**

Mar 19, 2018 - 1:16pm C:\Users\michaels\appdata\local\temp\AcPublish...150688\p-2135.15 DETAILS.dwg

DATE	REVISION
11/28/17	PLAN REVISIONS PER CITY REVIEW
2/9/18	PLAN REVISIONS

I hereby certify that this plan, specification, or report was prepared by me or under my direct supervision and that I am a duly Licensed Professional Engineer under the laws of the State of Minnesota.

Chris J. Jochum
CHRIS J. JOCHUM, PE
 Lic. No. **23461**

Date **7/31/17**

DESIGNED BY: **CJJ**
 DRAWN BY: **MSS**
 CHECKED BY: **TAE**



HILLSIDE ESTATES ELEVENTH ADDITION

DETAILS
 CITY OF ELK RIVER, MINNESOTA

SHEET **6** OF **22**
 SHEETS
 P-2135.15