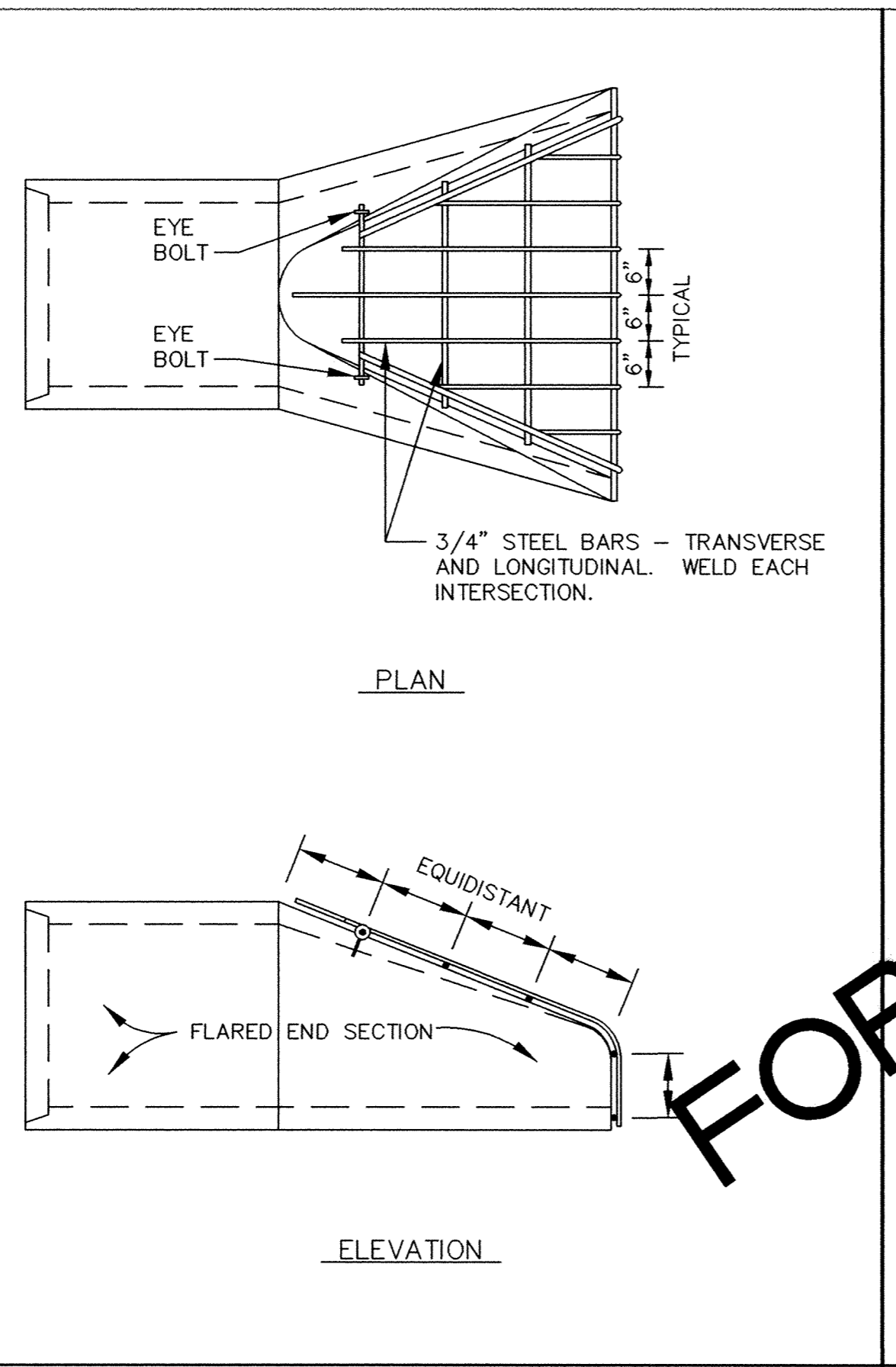
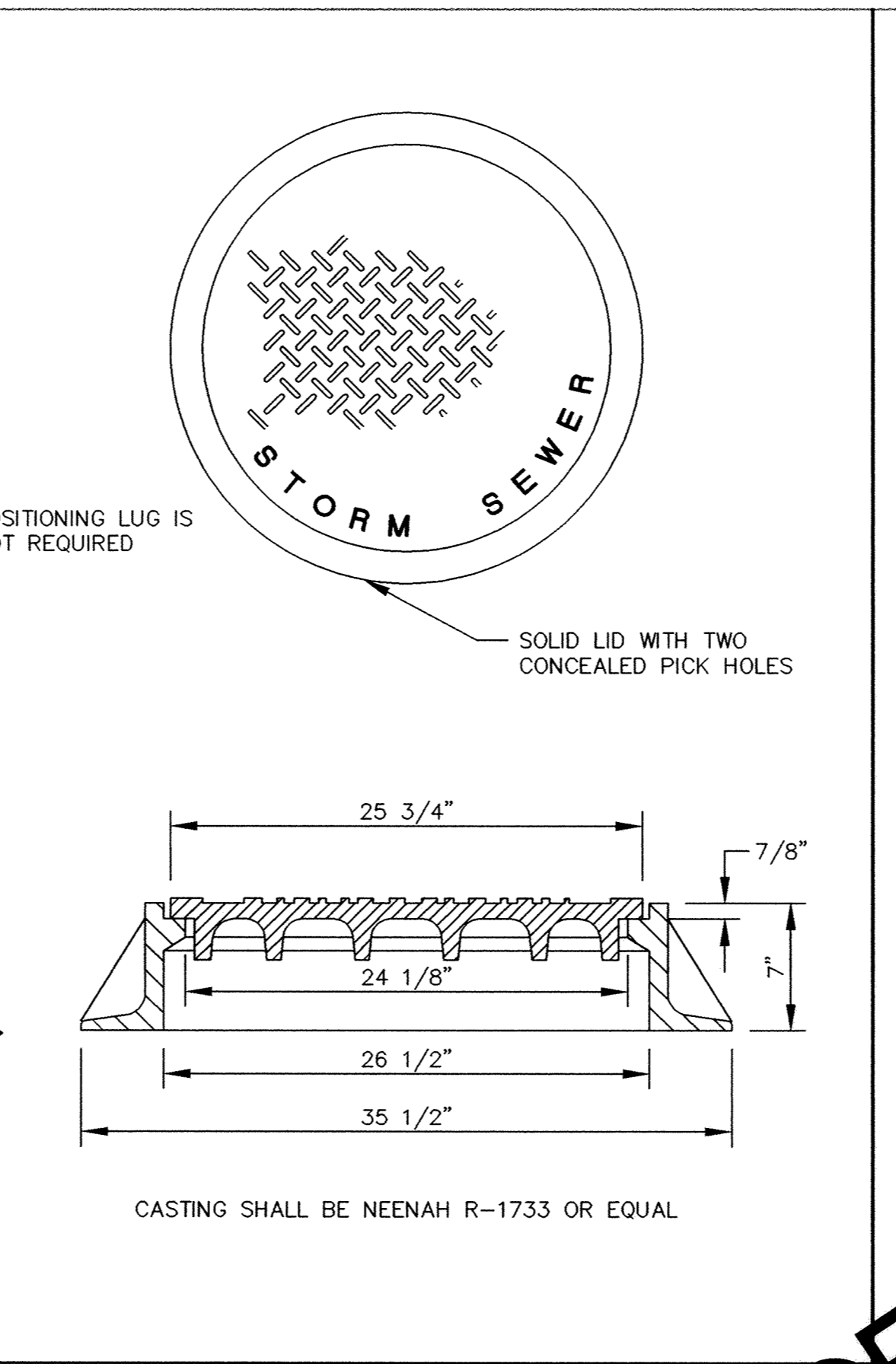


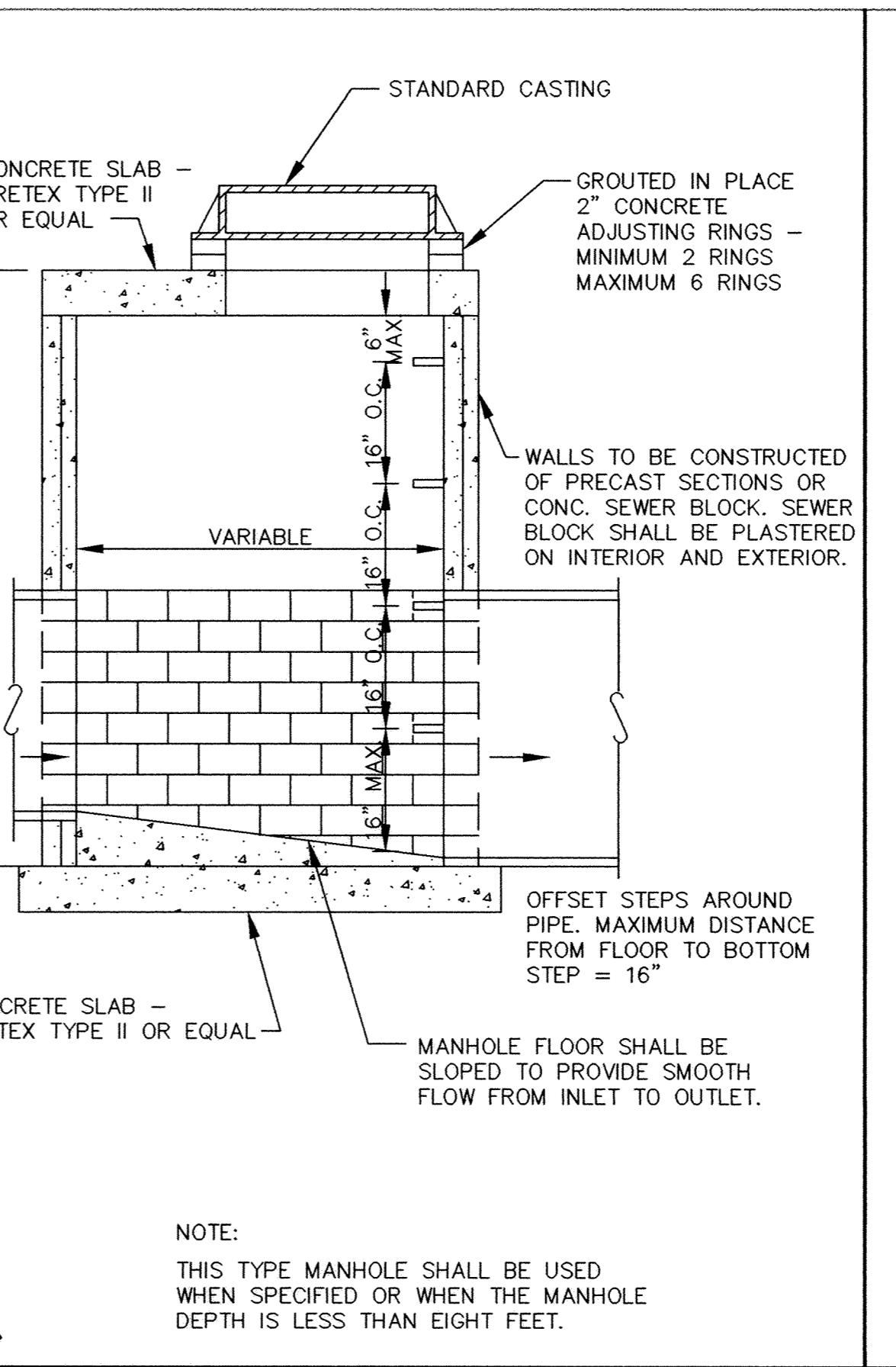
RIP-RAP INSTALLATION



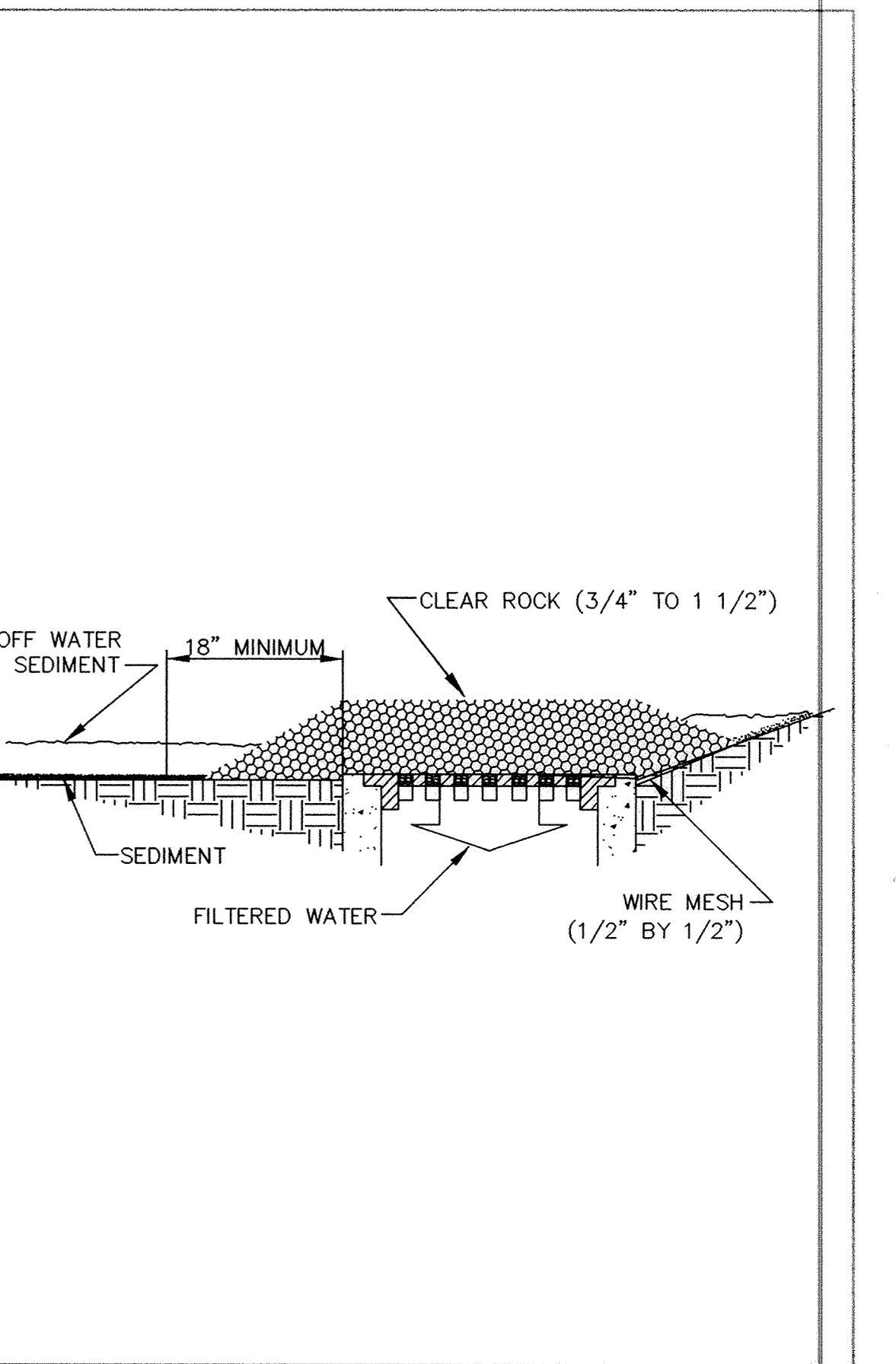
TRASH GUARD



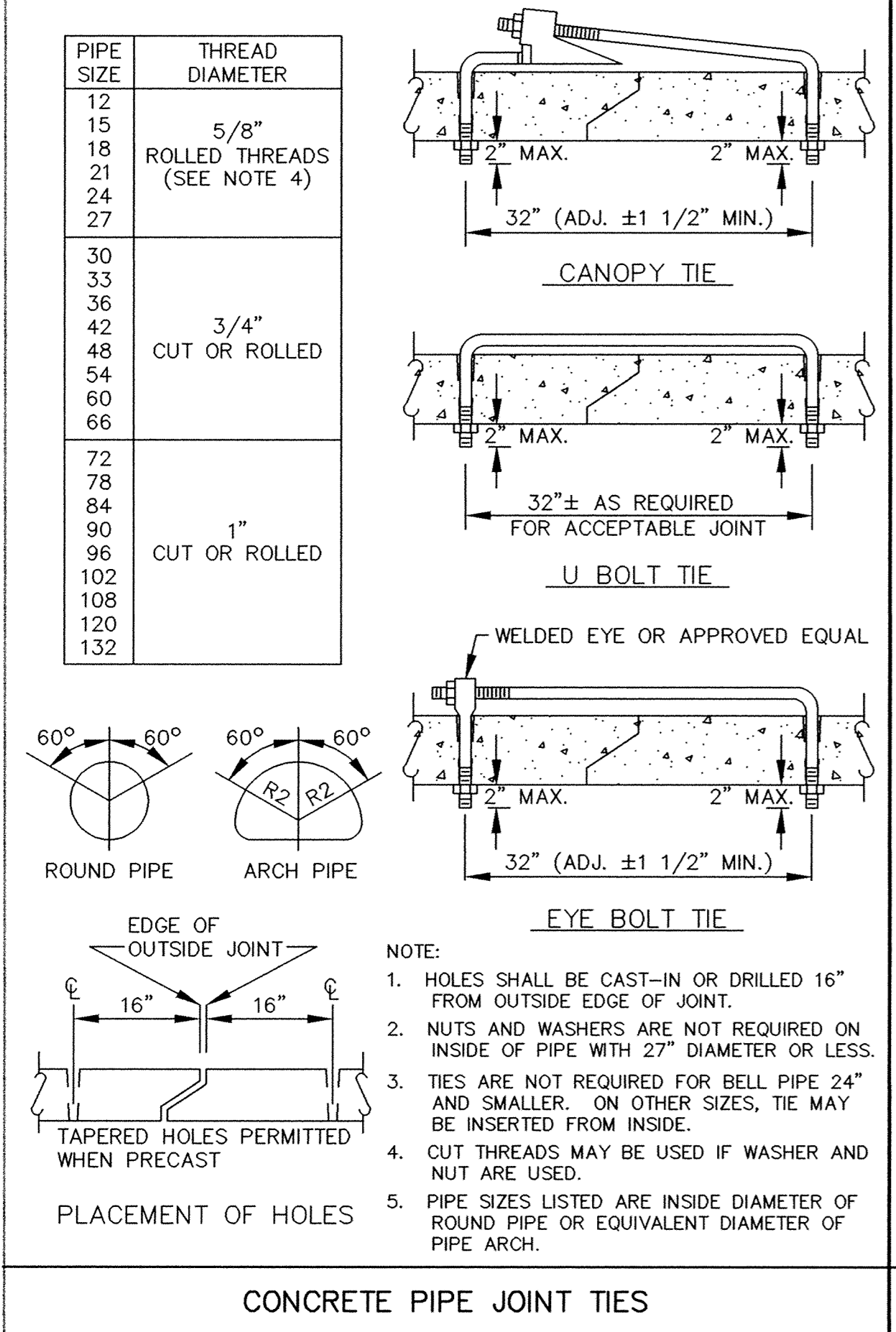
STANDARD MANHOLE CASTING



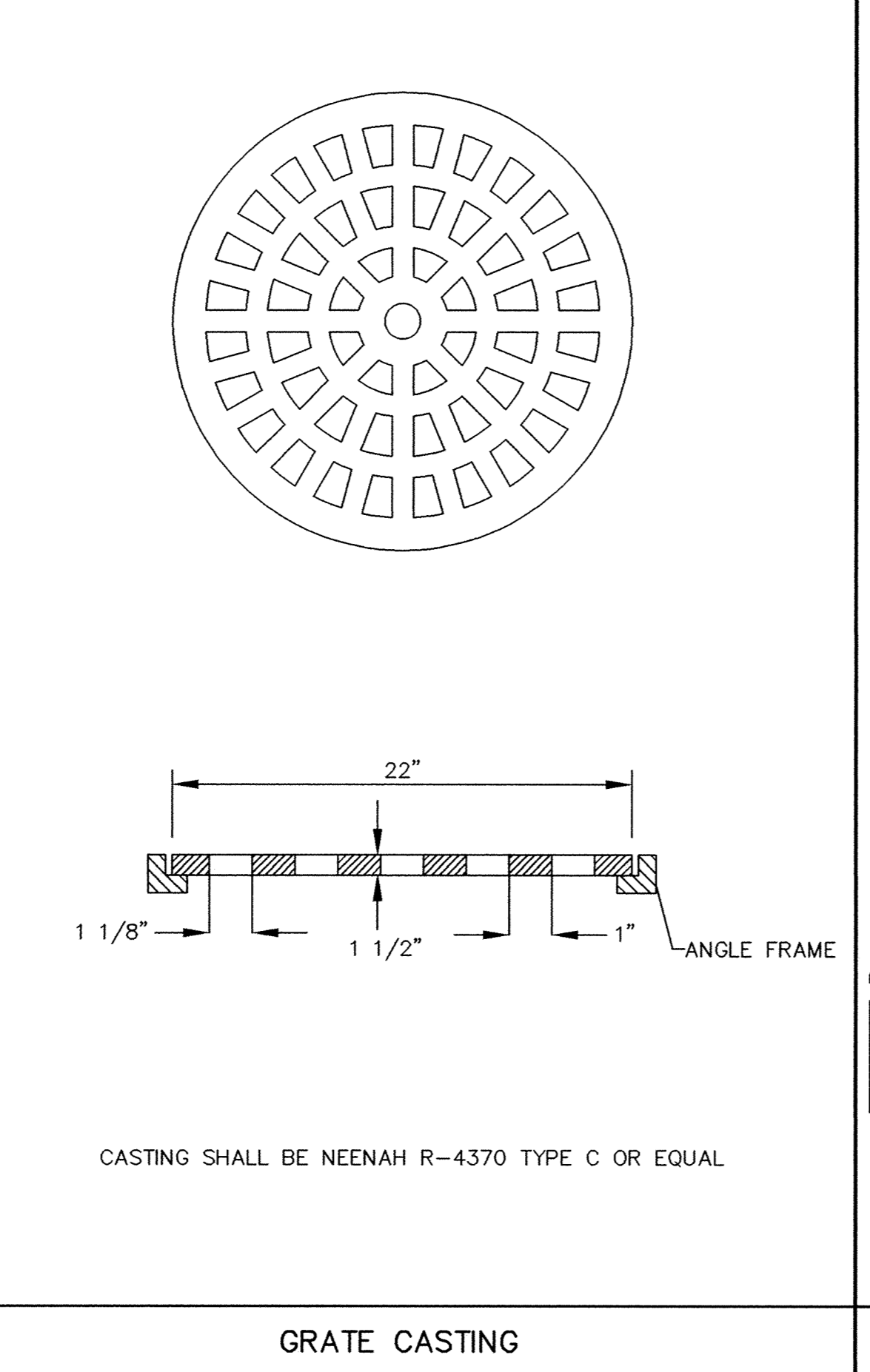
SLAB TOP MANHOLE



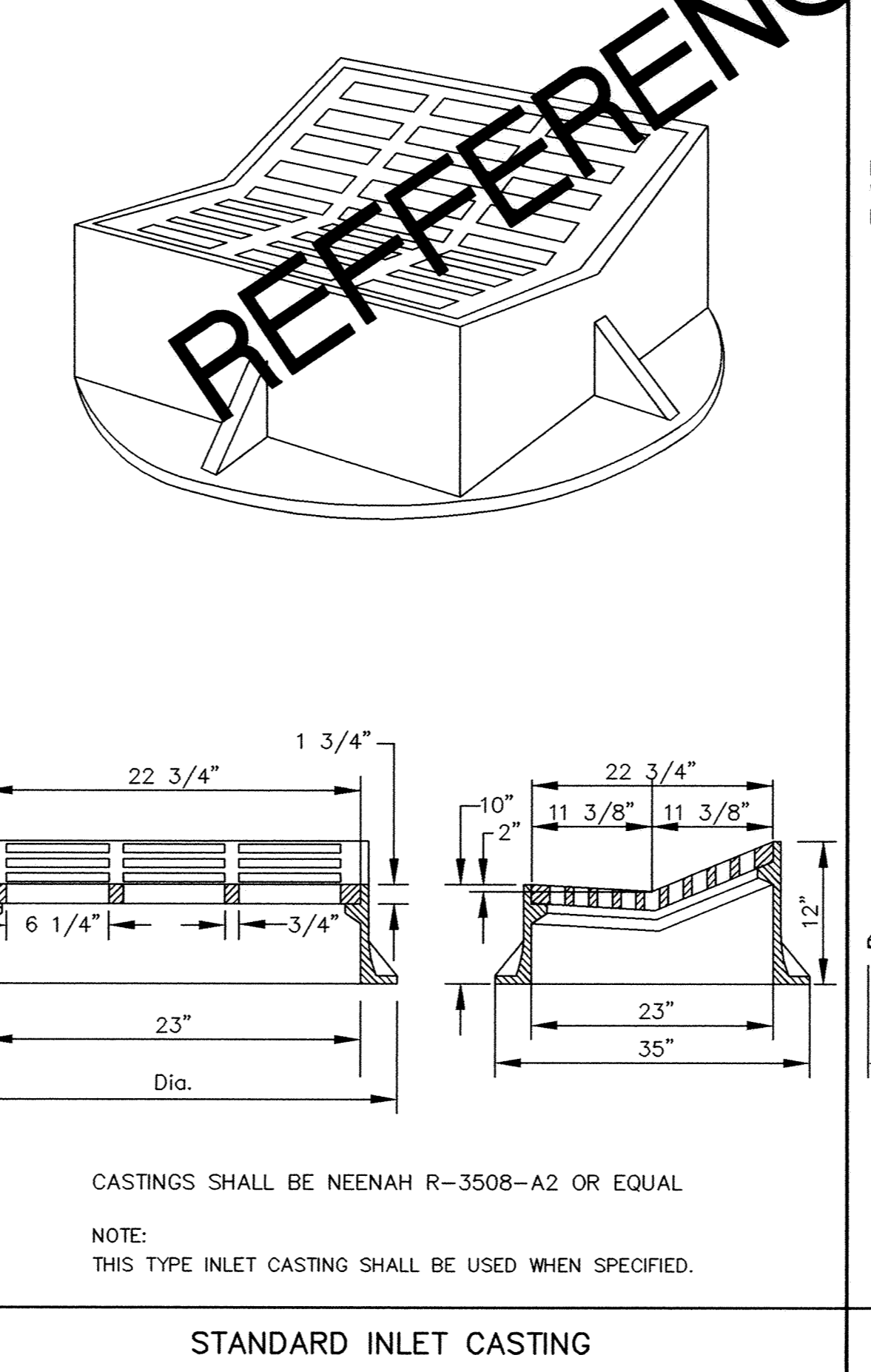
CATCH BASIN SEDIMENTATION BARRIER



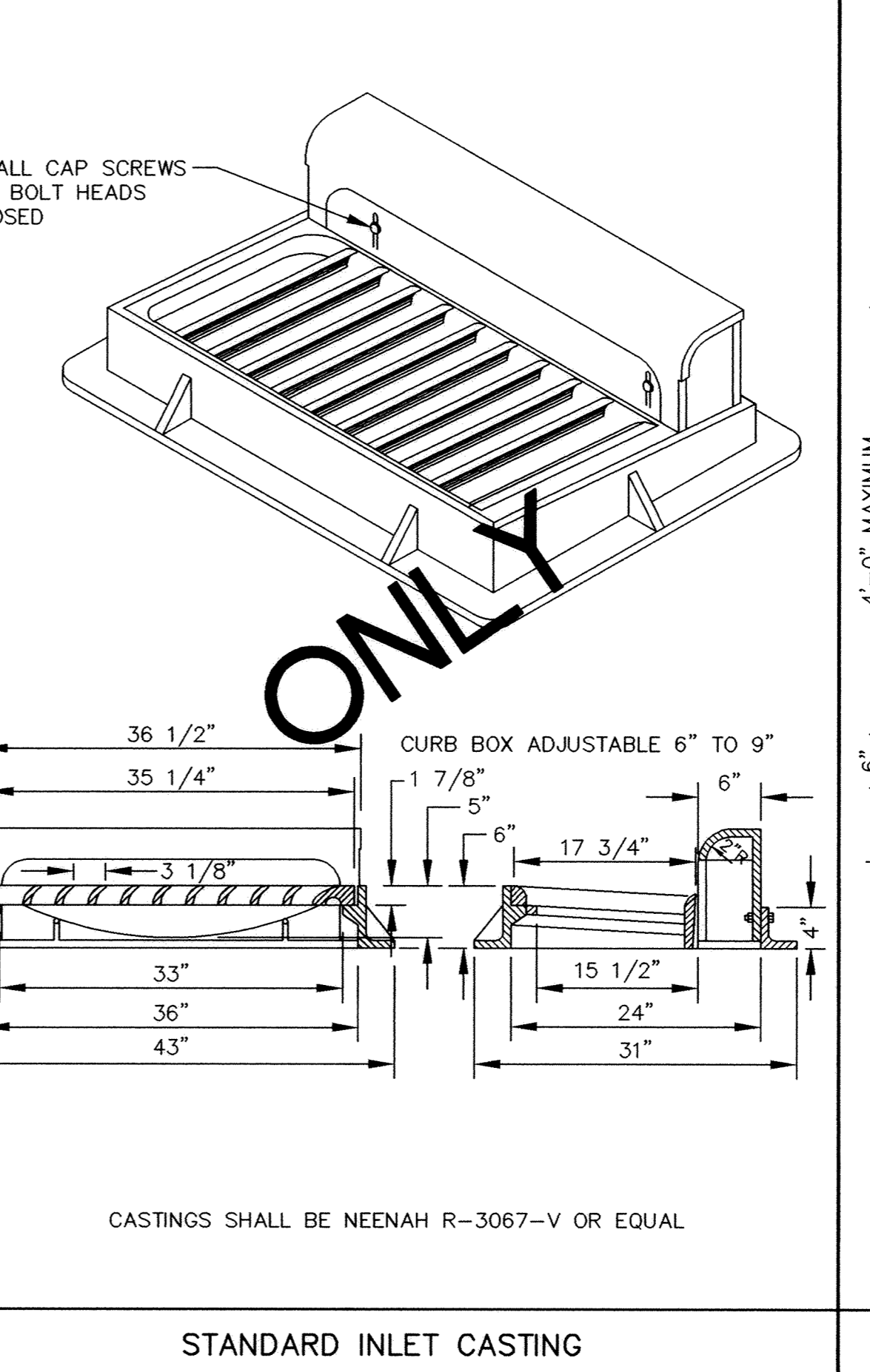
CONCRETE PIPE JOINT TIES



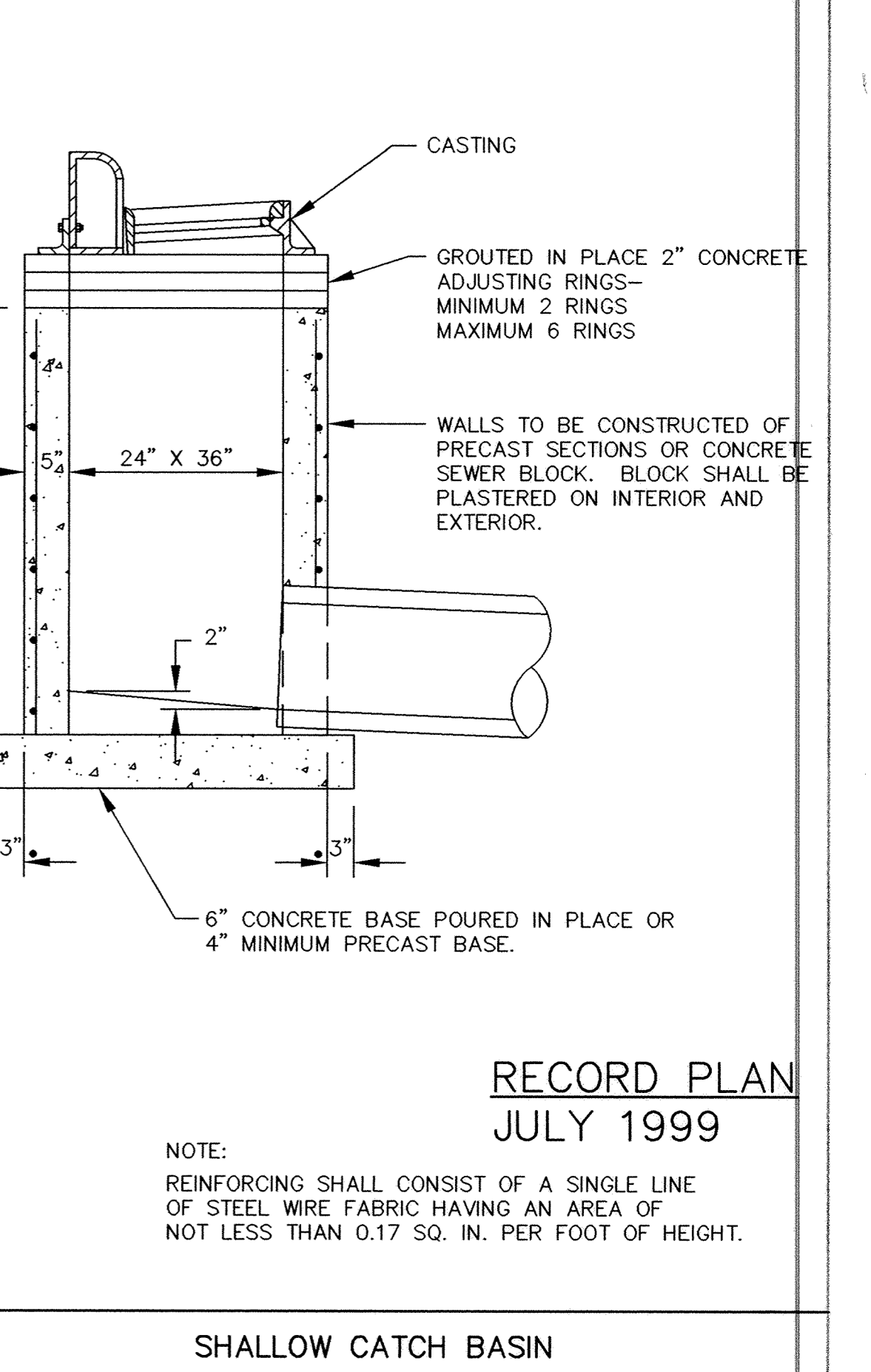
GRATE CASTING



STANDARD INLET CASTING



STANDARD INLET CASTING



SHALLOW CATCH BASIN

DRAWN BY: LK JOB DATE: MAY 1998

APPROVED: JOB NUMBER 803691J

CAD DATE: MAY 1998

CAD FILE: ER691-d2

I HEREBY CERTIFY THAT THIS PLAN, SPECIFICATION, OR REPORT WAS PREPARED BY ME OR UNDER MY DIRECT SUPERVISION AND THAT I AM A DULY REGISTERED PROFESSIONAL ENGINEER UNDER THE LAWS OF THE STATE OF MINNESOTA.

DATE: 5-28-98 REG. NO. 18568

NO.	DATE	BY	REVISION DESCRIPTION

1326 ENERGY PARK DRIVE
ST. PAUL, MINNESOTA 55108
(612) 644-4389

Howard R. Green Company
CONSULTING ENGINEERS

CITY OF ELK RIVER
GUARDIAN ANGELS, BOSTON STREET, RAILROAD DRIVE AND JACKSON/HOLT
STORM SEWER DETAILS

SHEET NO.
19
OF
21

1381 7368