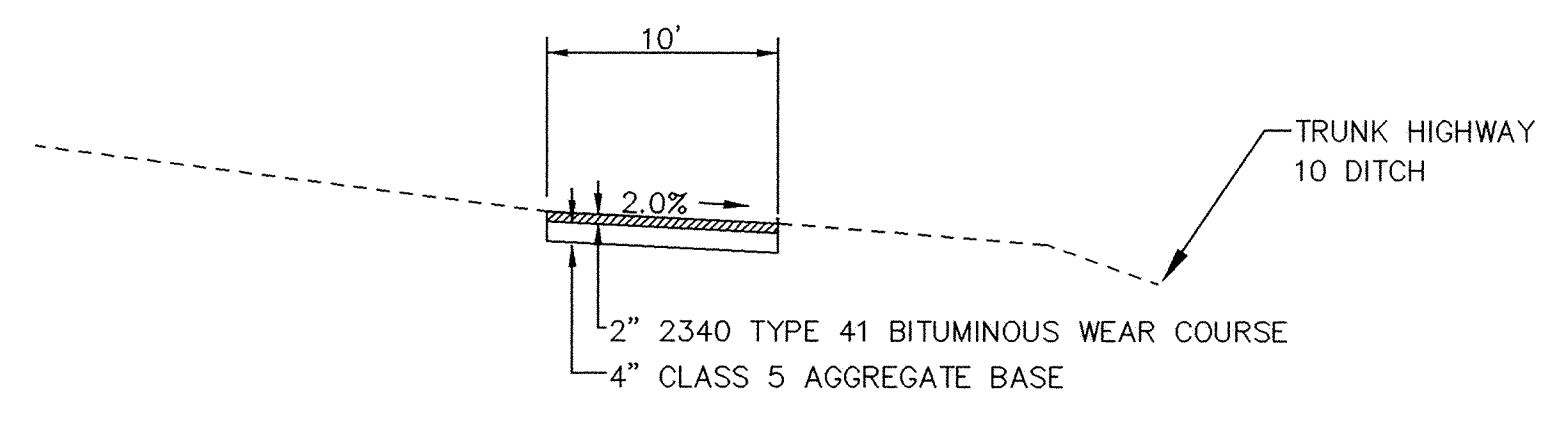
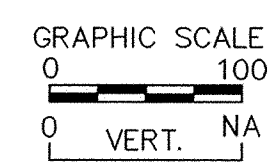
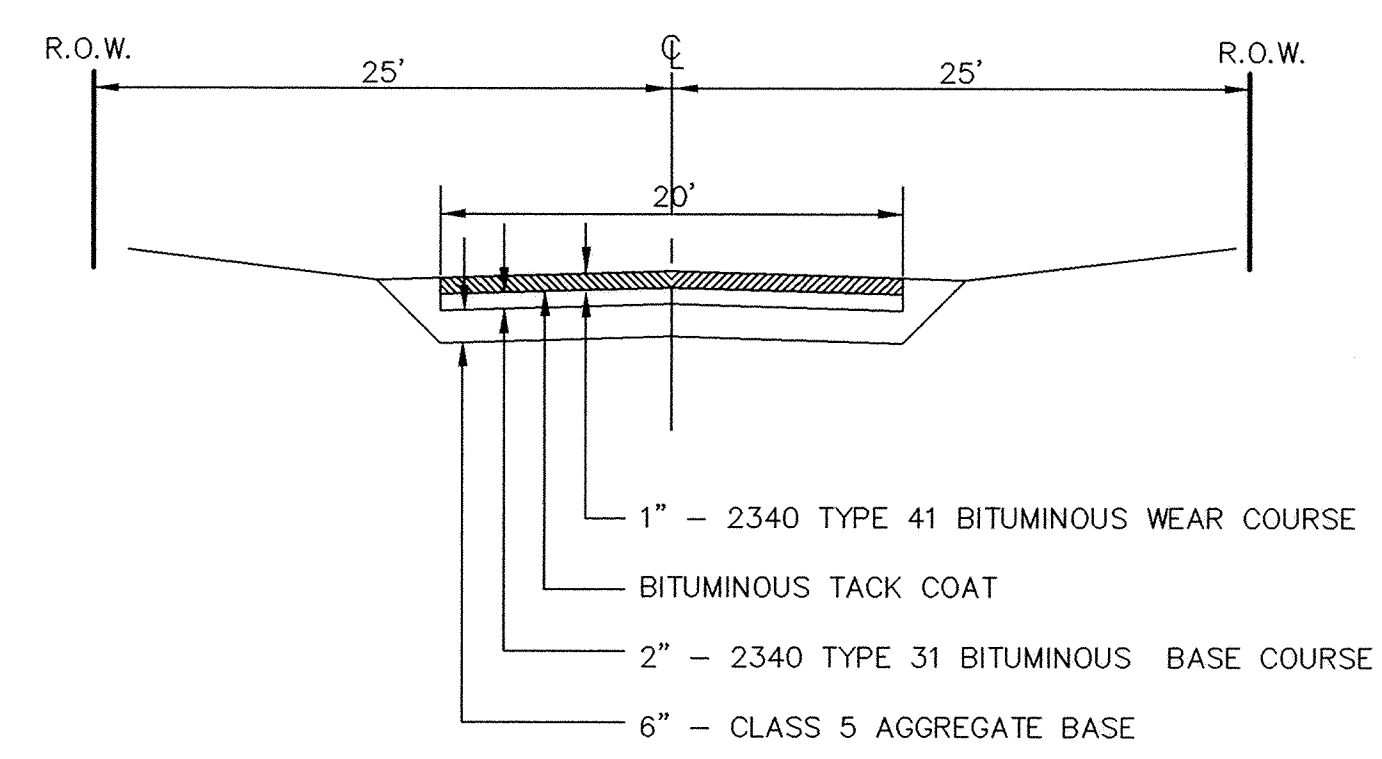


GUARDIAN ANGELS



TYPICAL SECTION  
GUARDIAN ANGELS 10' TRAIL  
LOCATION TO BE SET IN FIELD



TYPICAL STREET SECTION  
BOSTON STREET

BOSTON STREET

RECORD PLAN  
JULY 1999

DRAWN BY: LK	JOB DATE: MAY 1998
APPROVED: _____	JOB NUMBER: 803691J
CAD DATE: MAY 1998	
CAD FILE: ER691-index	

I HEREBY CERTIFY THAT THIS PLAN, SPECIFICATION, OR REPORT WAS PREPARED BY ME OR UNDER MY DIRECT SUPERVISION AND THAT I AM A DULY REGISTERED PROFESSIONAL ENGINEER UNDER THE LAWS OF THE STATE OF MINNESOTA.

*[Signature]*  
DATE: 5-28-98 REG. NO. 18568

NO.	DATE	BY	REVISION DESCRIPTION

1326 ENERGY PARK DRIVE  
ST. PAUL, MINNESOTA 55108  
(612) 644-4389

**Howard R. Green Company**  
CONSULTING ENGINEERS

CITY OF ELK RIVER

LOCATION MAP AND STREET SECTION  
GUARDIAN ANGELS AND BOSTON STREET

SHEET NO.  
2  
OF  
21

1400 1300