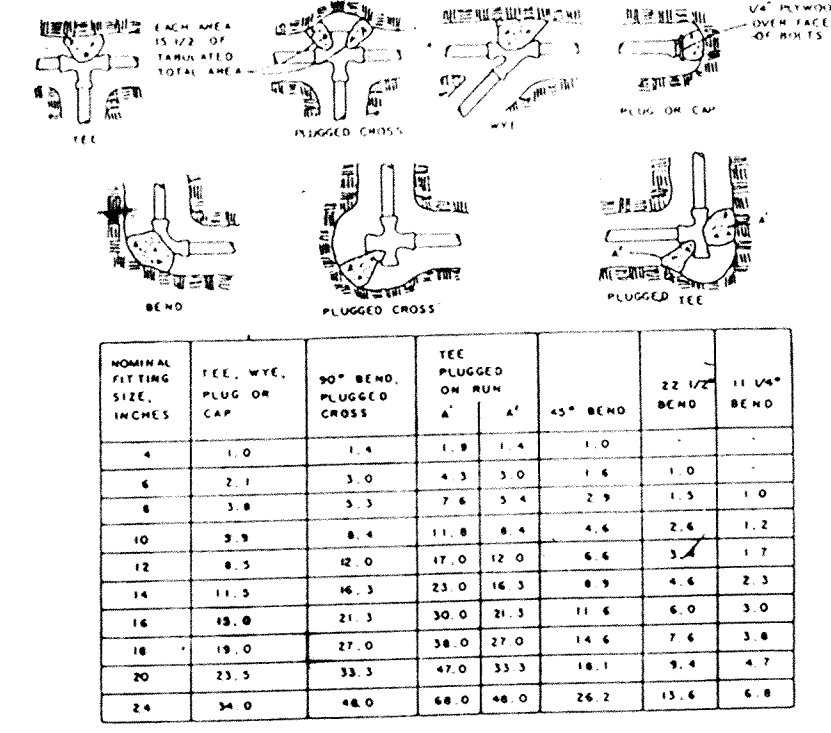
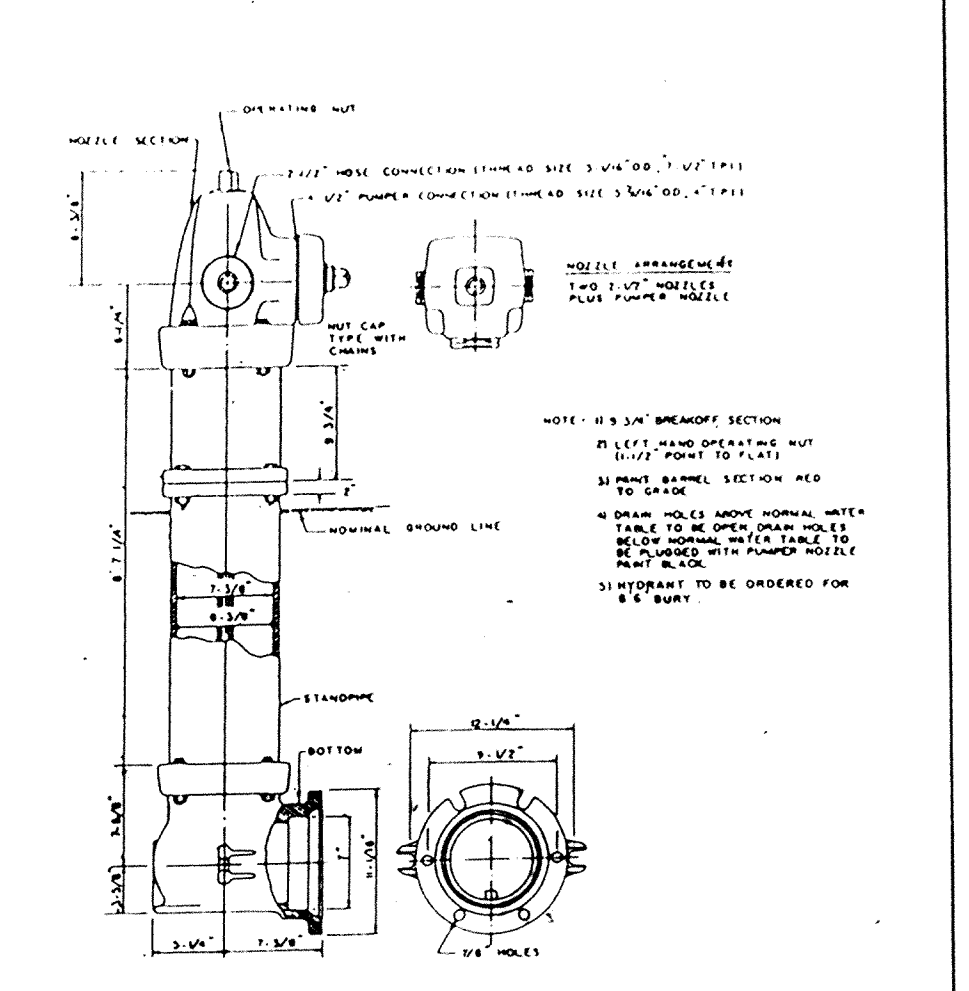


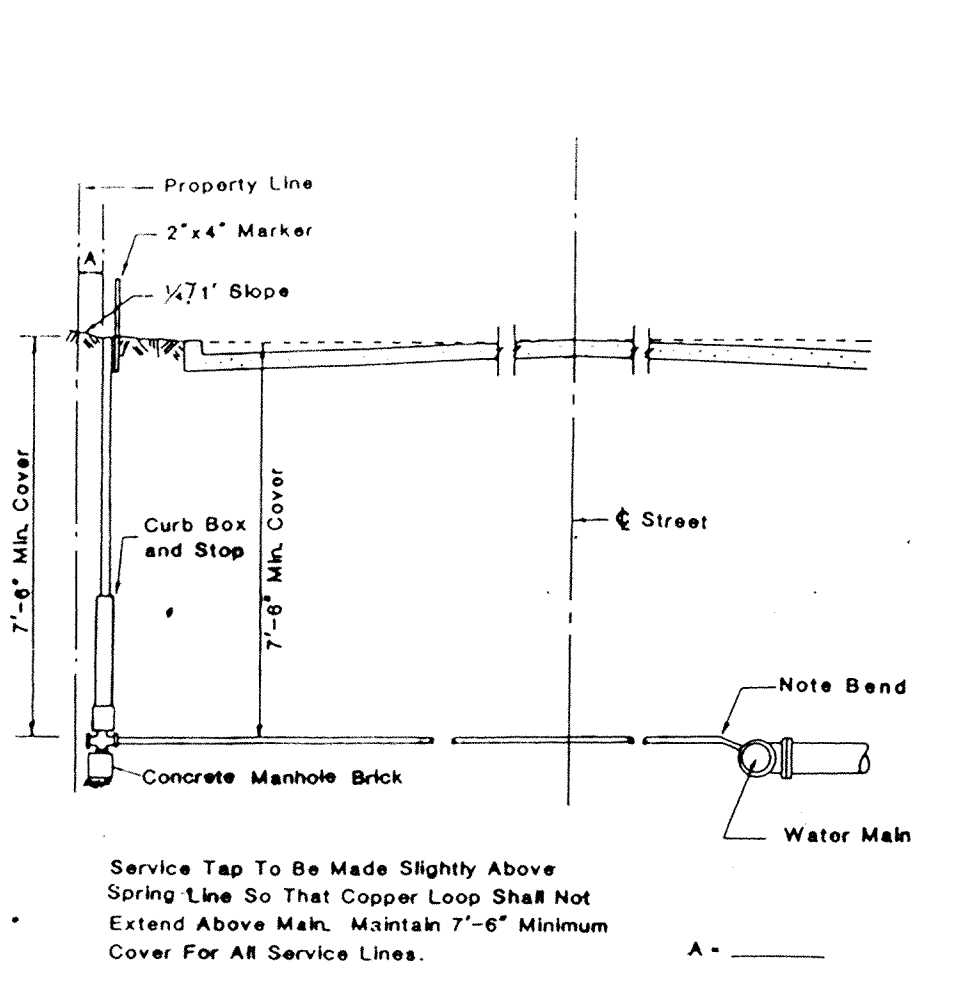
Standard Air Relief Manhole



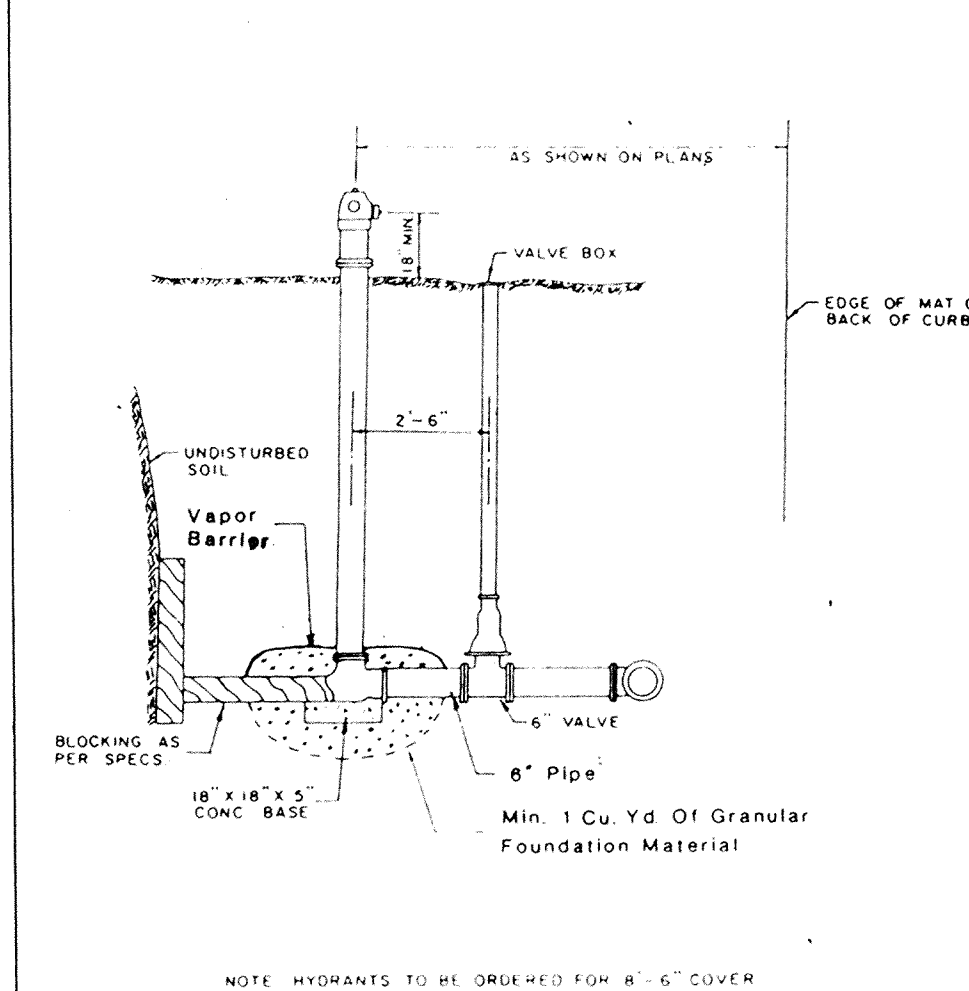
Thrust Blocking Detail



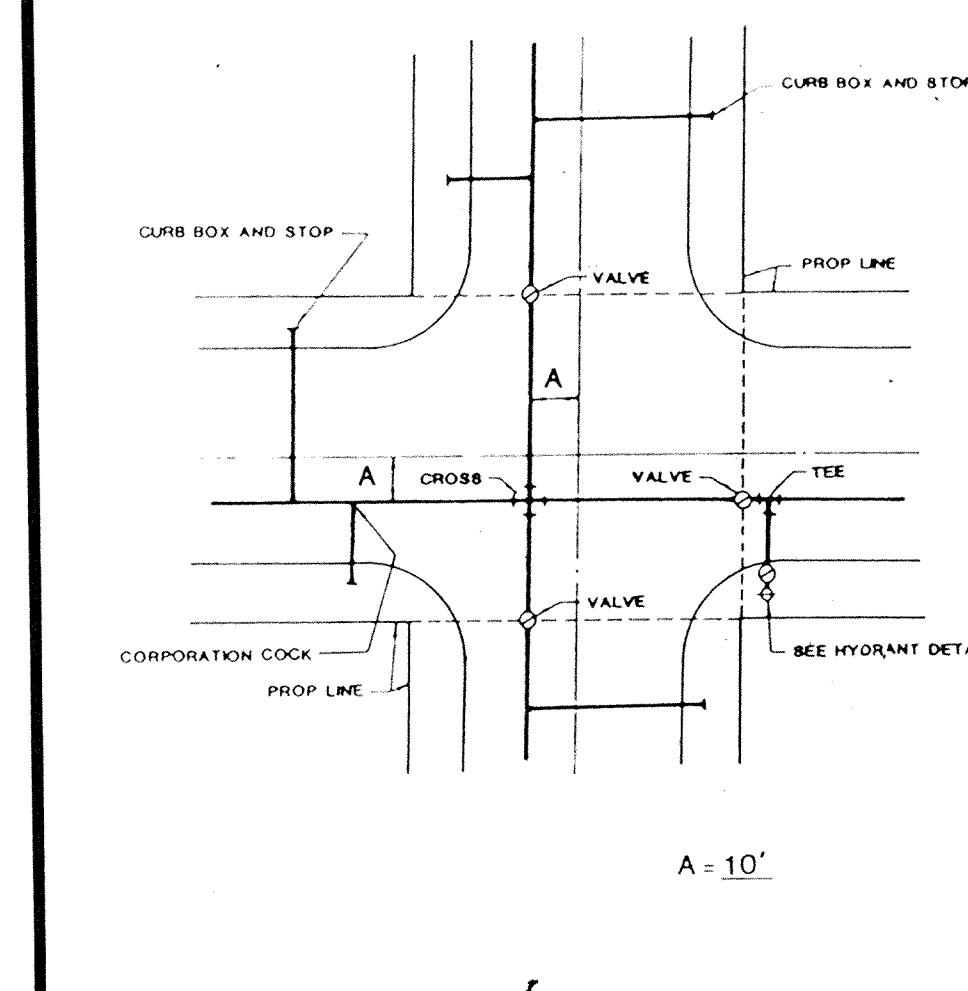
Pacer Traffic Flange Hydrant



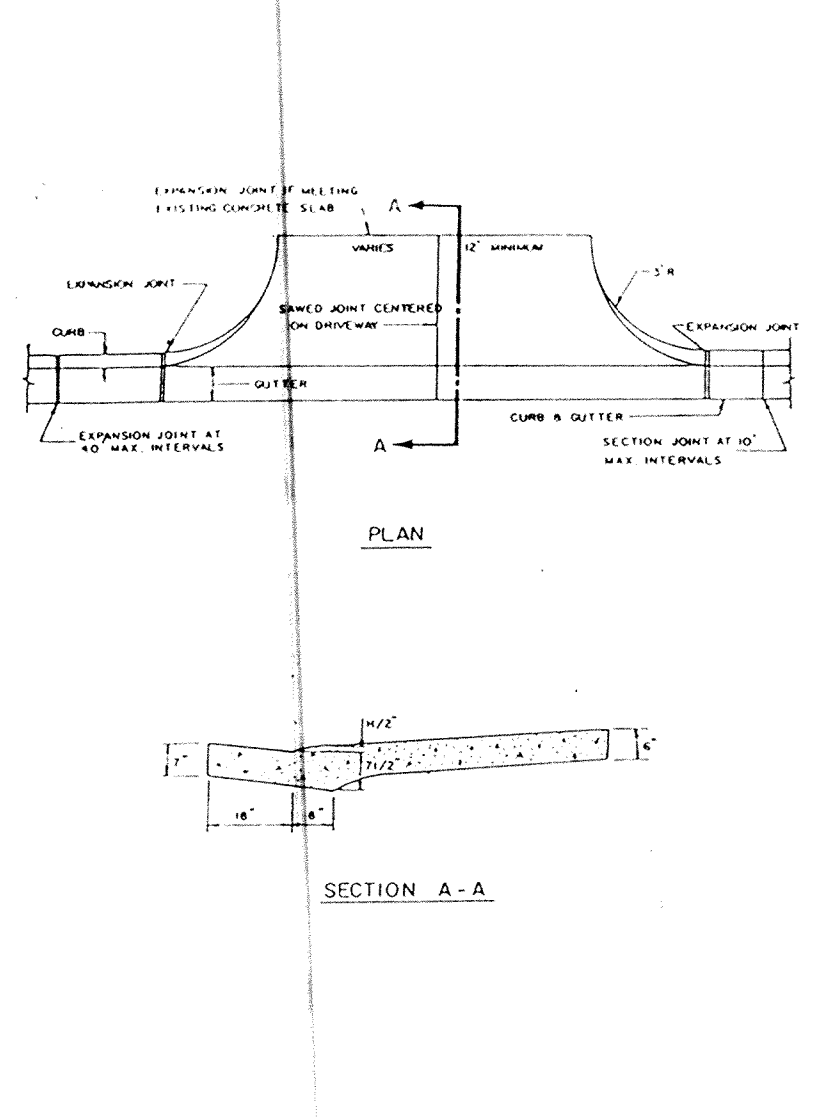
Typical Water Service Connection



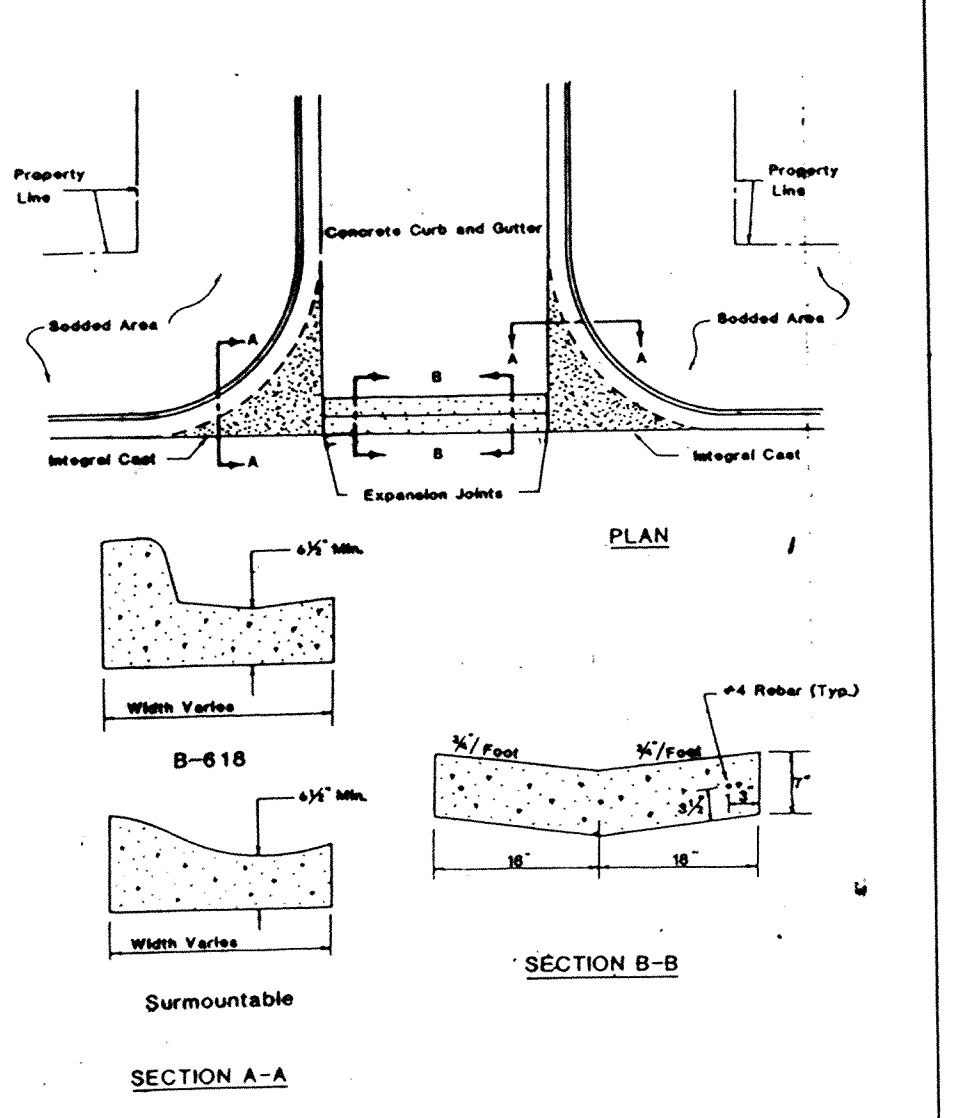
Typical Hydrant Lead Detail



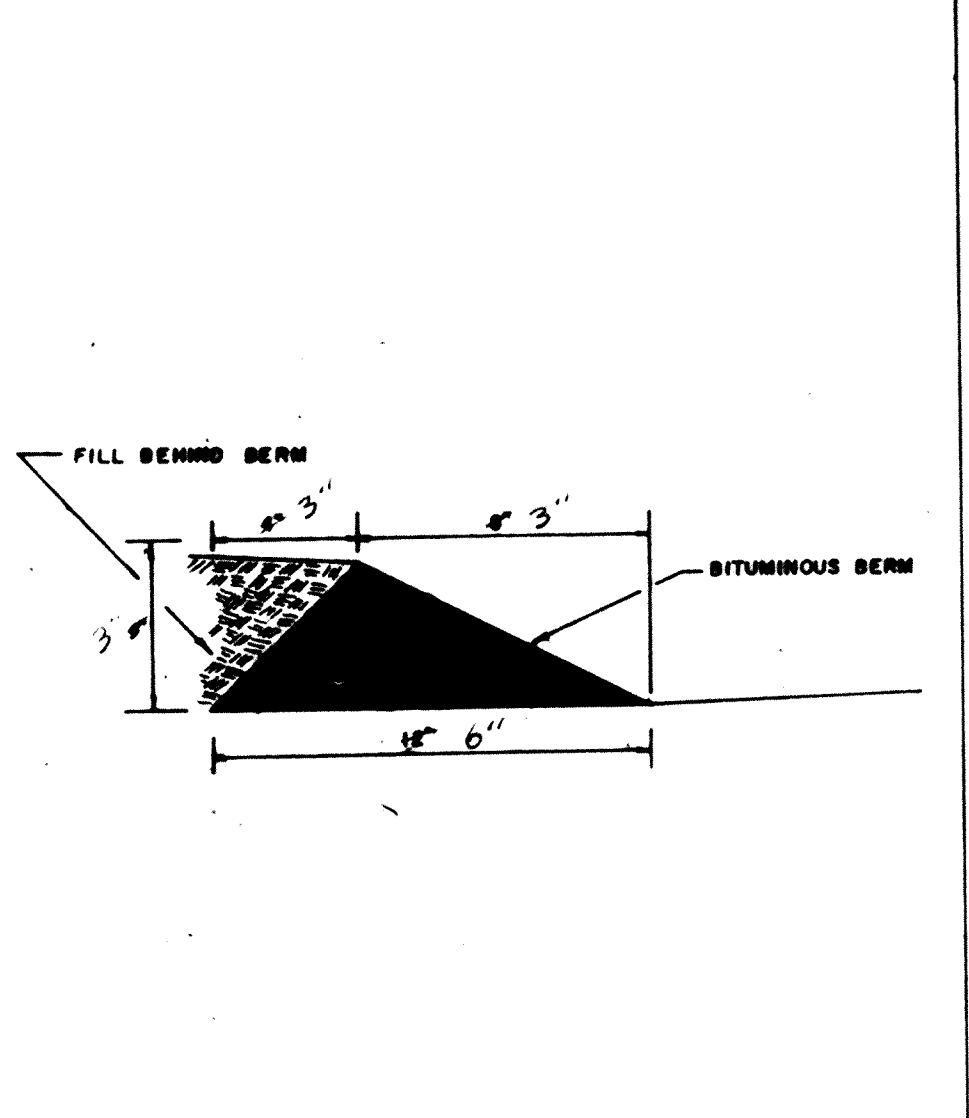
Typical Watermain Layout



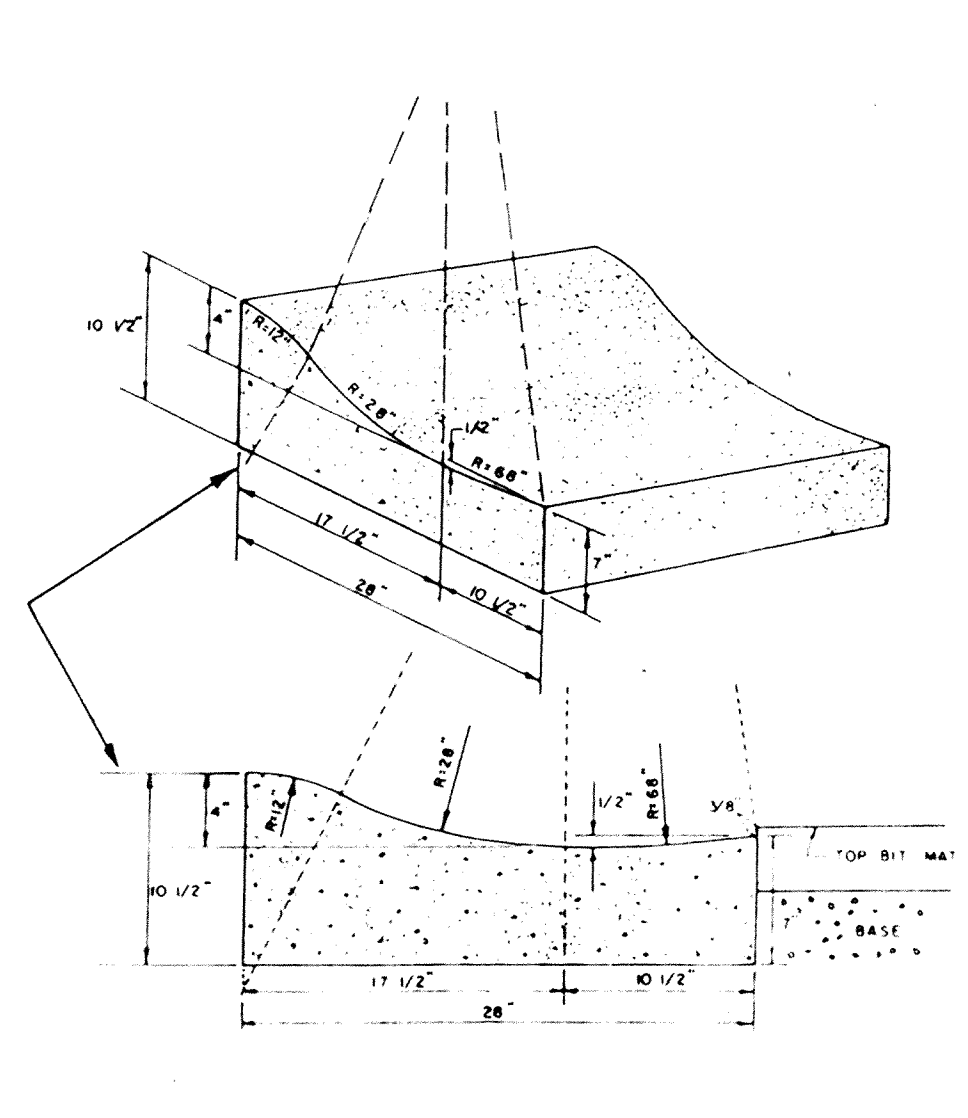
Residential Driveway Apron Detail



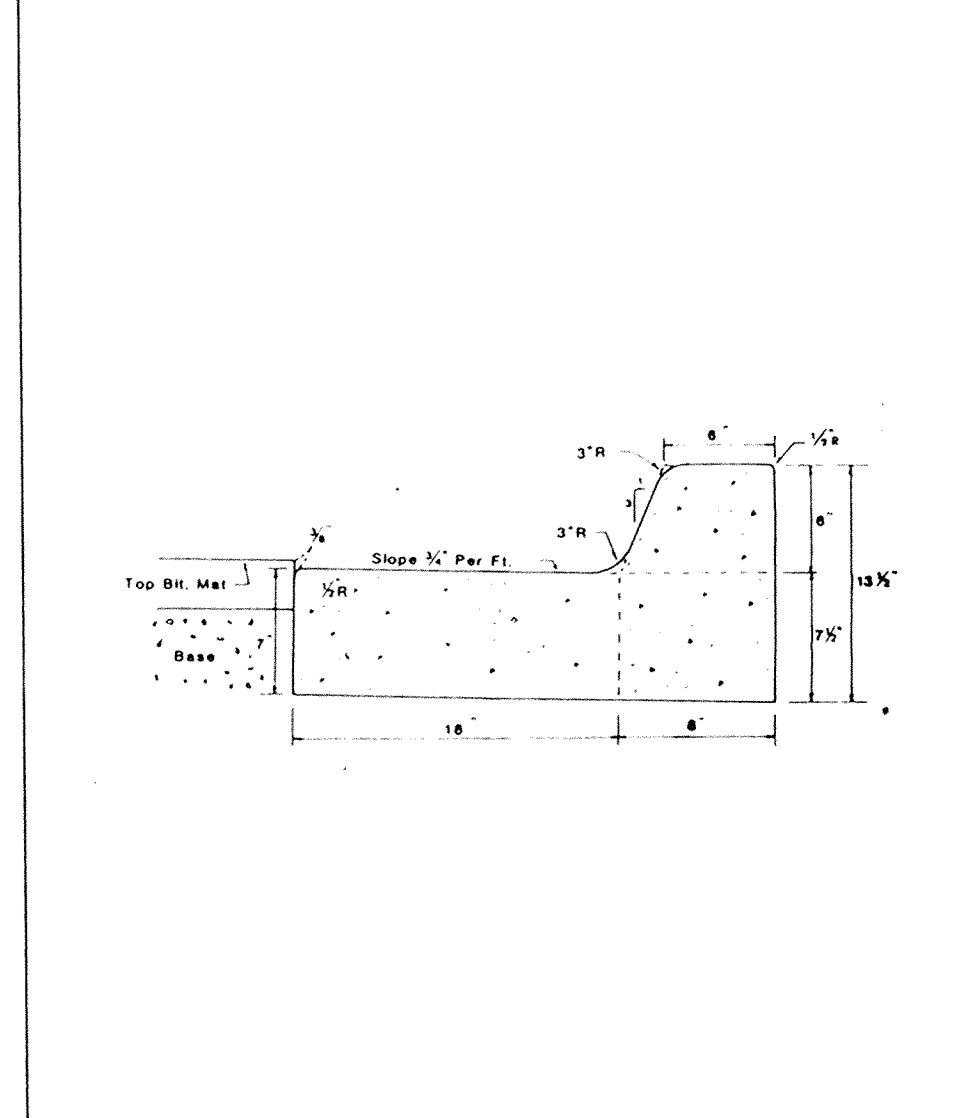
Concrete \"/>



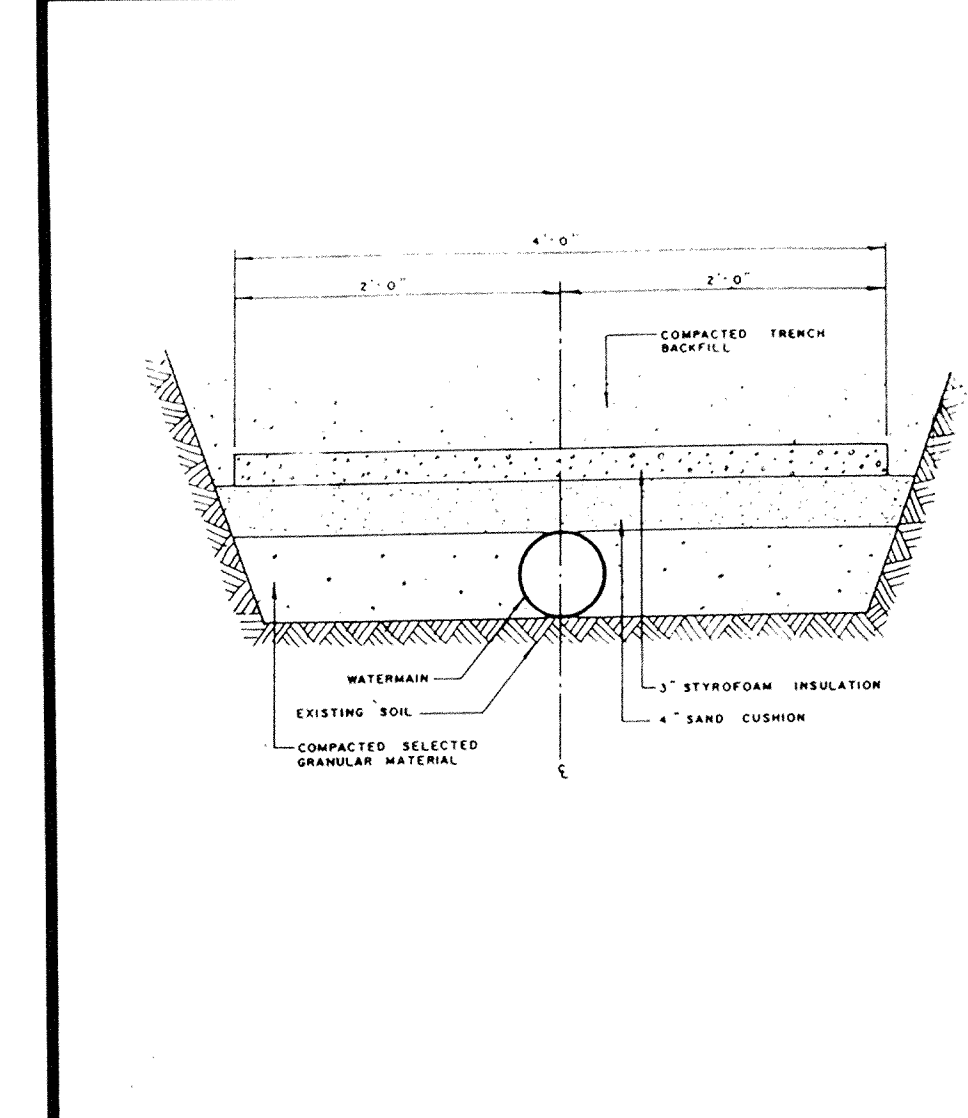
Integral Bituminous Berm



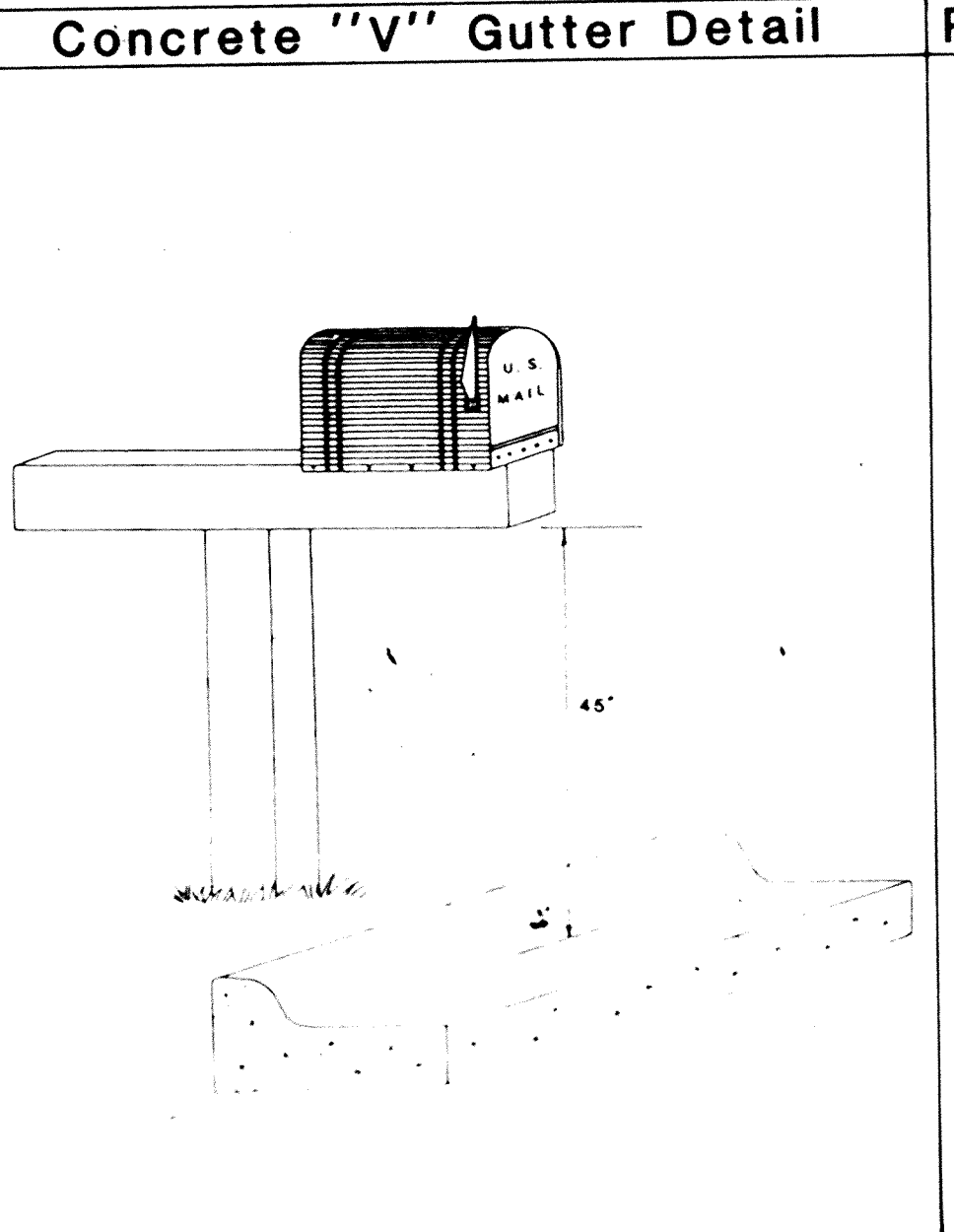
Surmountable Curb & Gutter



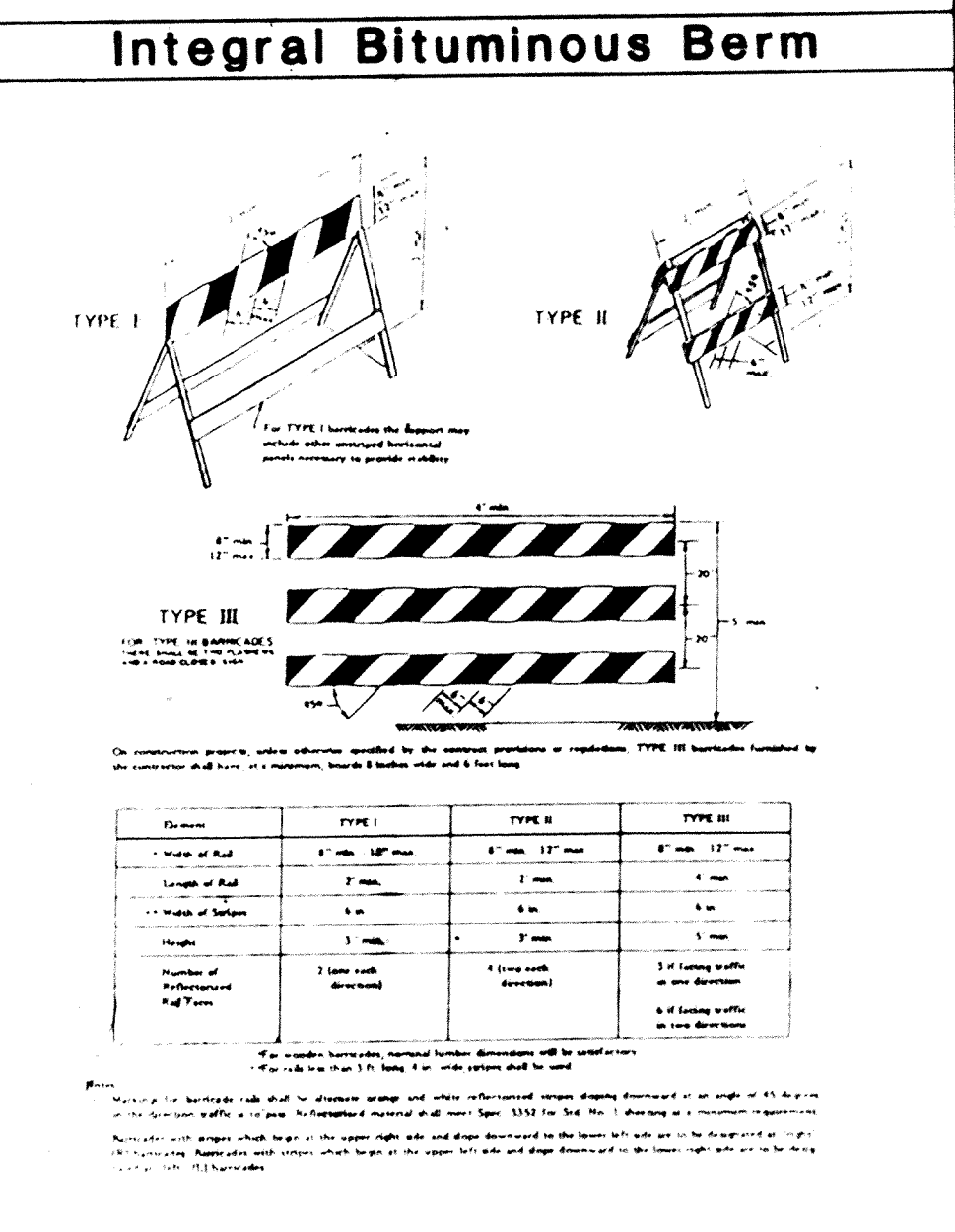
Concrete Curb & Gutter B-618



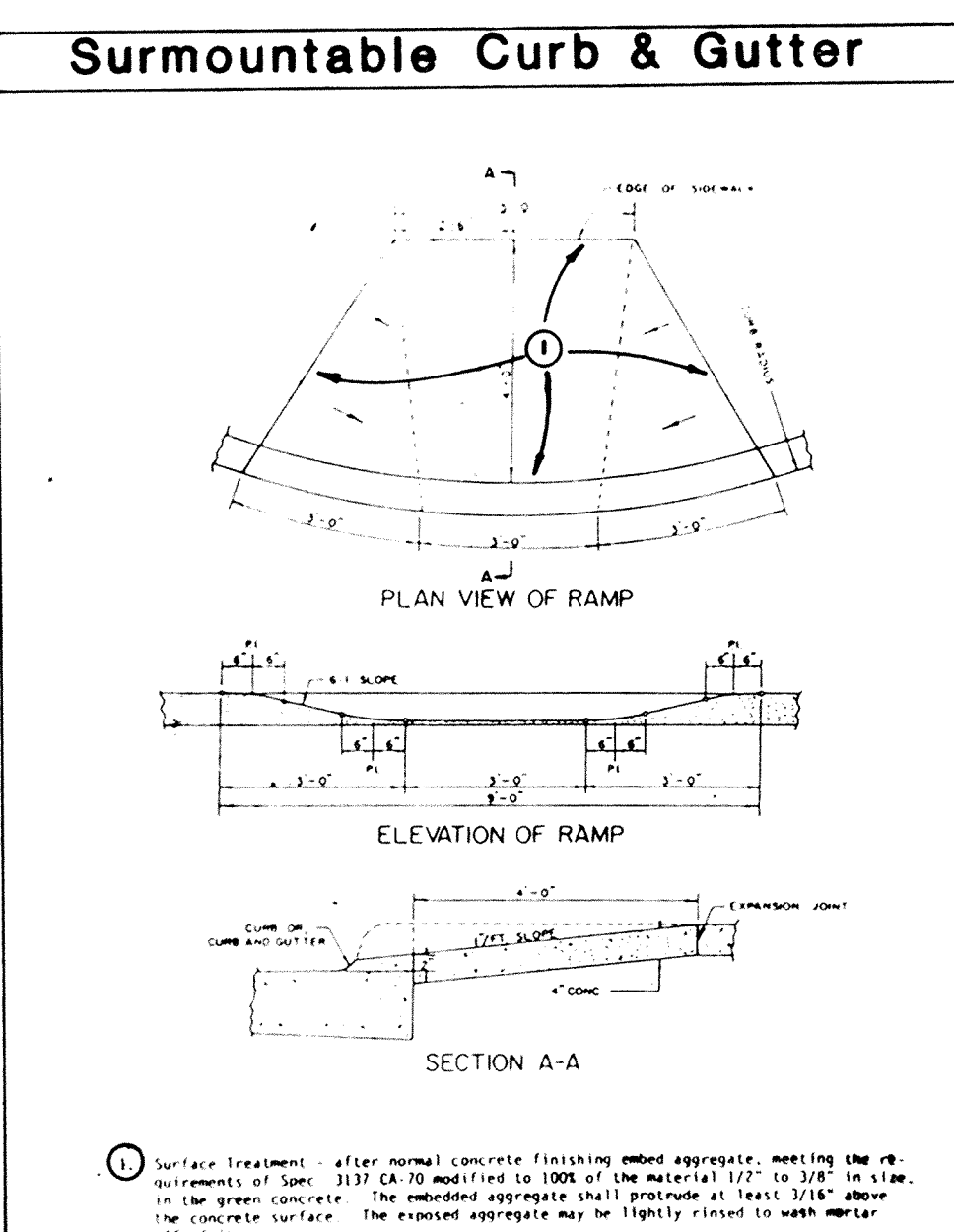
Pipe Insulation Detail



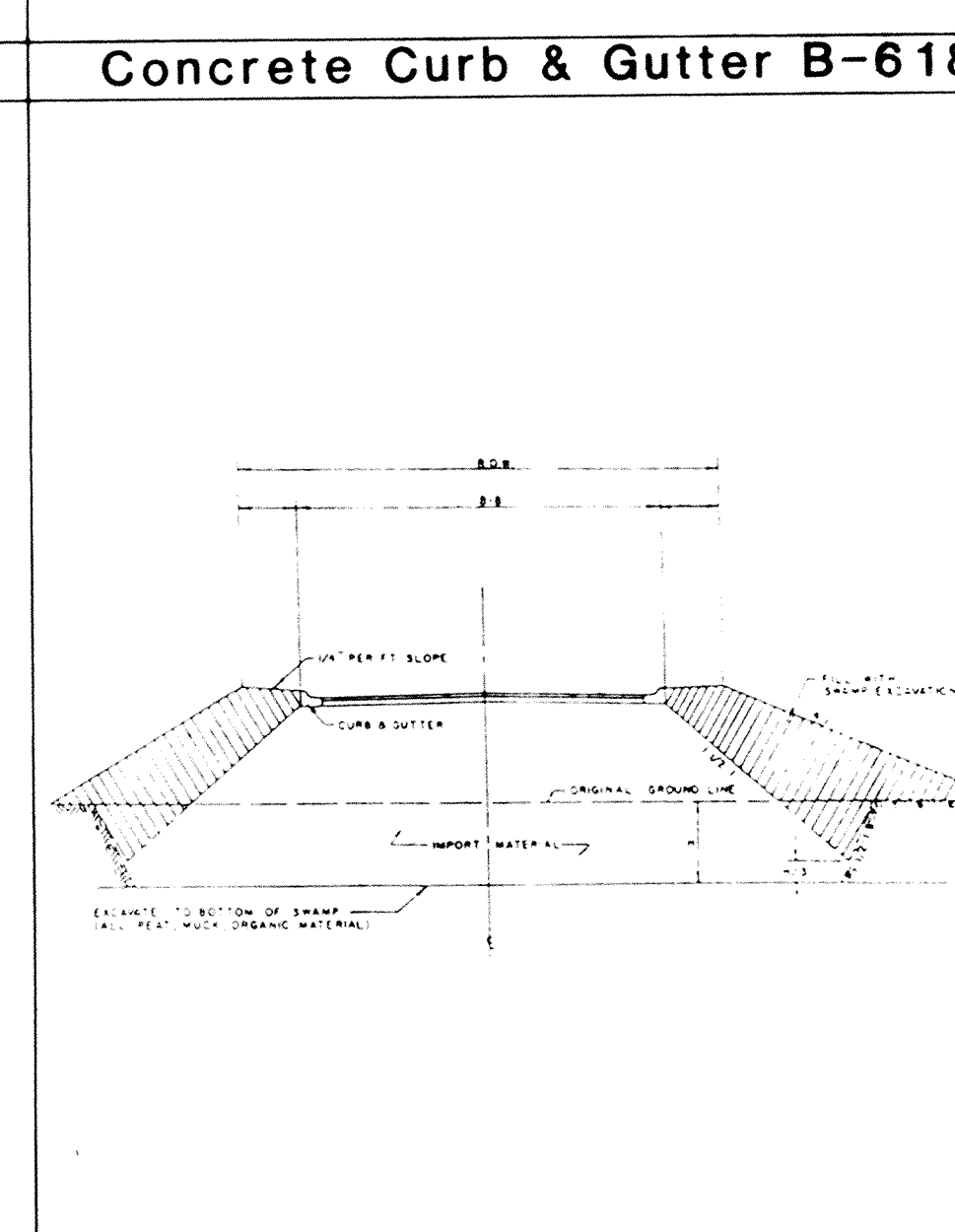
Mailbox Detail



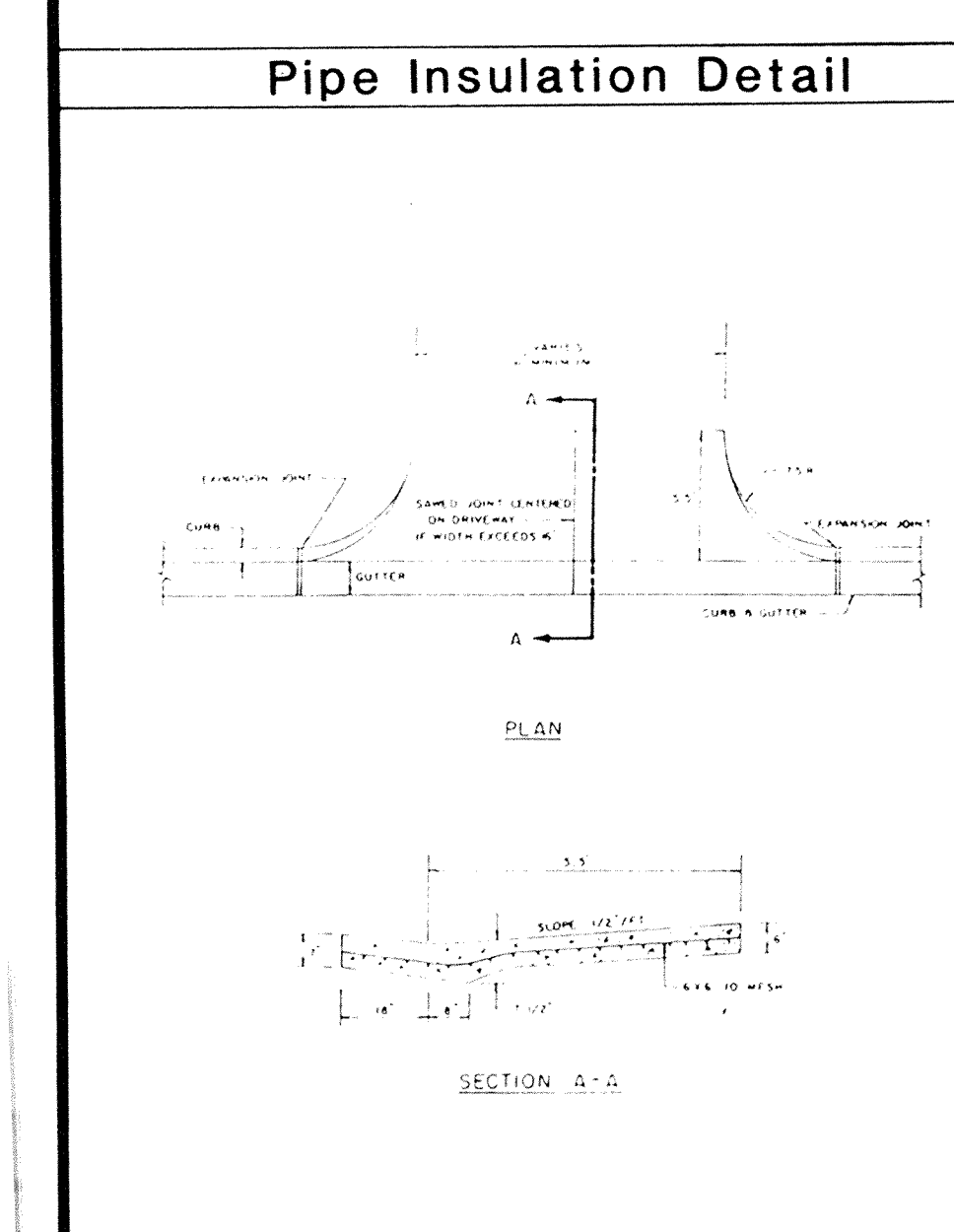
Standard Barricades



Pedestrian Curb Ramp



Typical Swamp Section



Commercial Driveway Apron Detail

AS-BUILT
 DRAWN BY: MIZK Date 12-26-84
 CHECKED BY: JLM
 INSPECTOR: TCH Date 2-1-85
 DESIGN ENGR: JLM Date 2-1-85
 PARTY CHIEF: SS Date 2-1-85

SAP 204-124-01

CITY OF ELK RIVER
 DETAIL PLATES
 WATERMAIN & STREET CONSTRUCTION

REVISIONS
 DESIGNED BY: JLM
 CHECKED BY: JLM
 SCALE: AS SHOWN
 DRAWN BY: MIZK
 DATE: FEB 1984

I hereby certify that this plan, specification or report was prepared by me or under my direct supervision and that I am a duly Registered Professional Engineer under State of Minn. Statutes Sections 326.02 to 326.16.
 Jerry J. Manser
 Date 2/1/85 Minn Reg No. 15316

consulting engineers diversified inc.
 100 BOX | 08800 MURFREESBORO | TENN 37135-1161