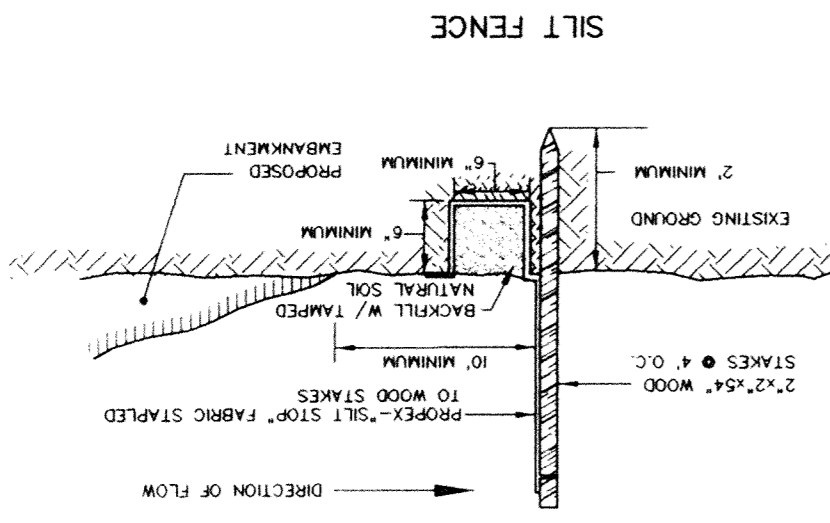
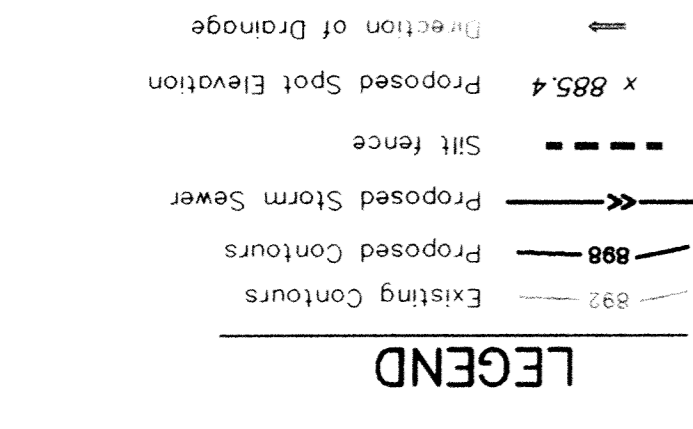
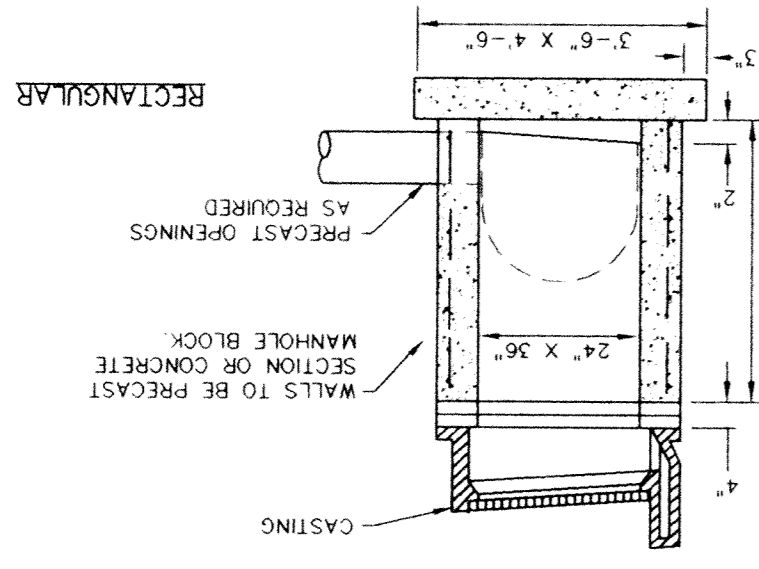


APPROVED  
*Howard R. Green Co.*  
 7/17/98 *H.R.G.*



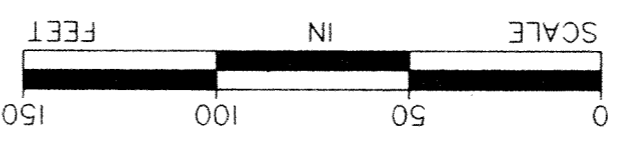
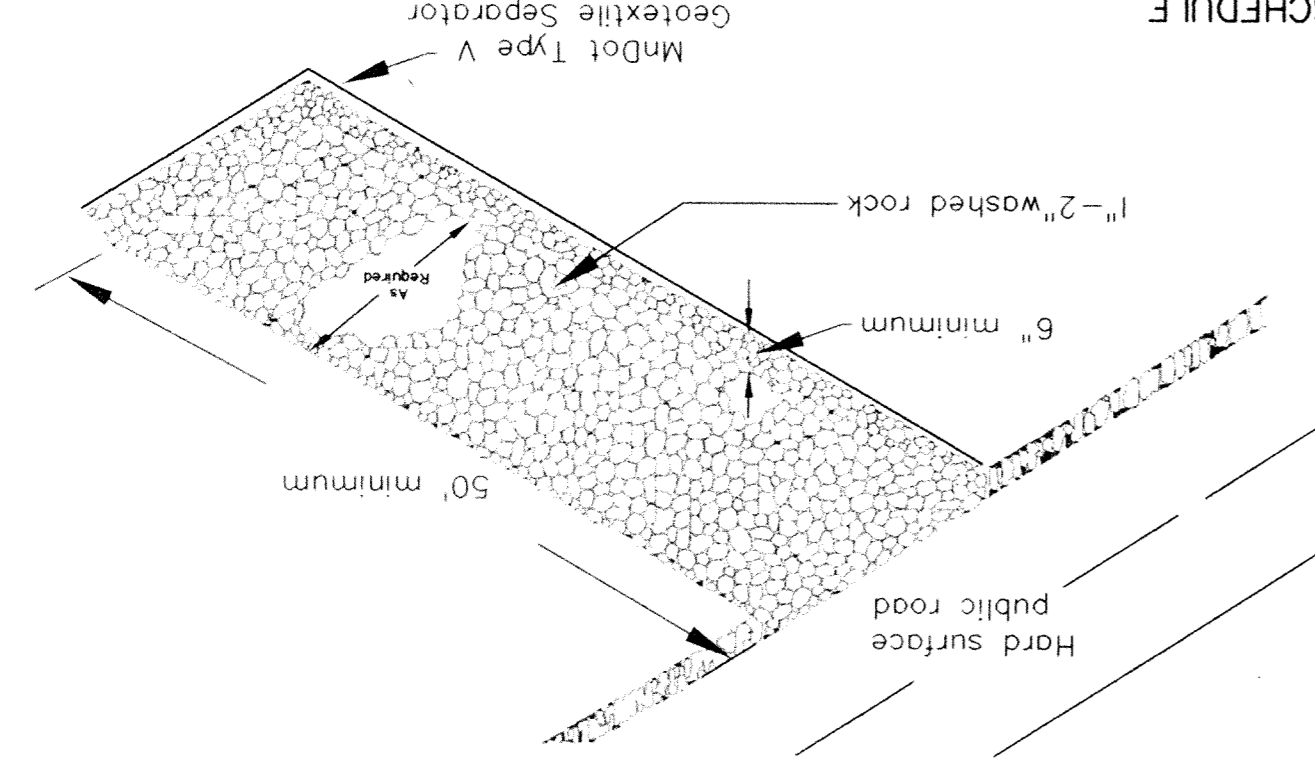
- NOTES:
1. THE CONTRACTOR SHALL VERIFY THE LOCATION OF UTILITIES PRIOR TO CONSTRUCTION
  2. PERIMETER EROSION CONTROL MEASURES SHALL BE INSTALLED PRIOR TO CONSTRUCTION
  3. TEMPORARY EROSION CONTROL MEASURES SHALL INCLUDE DIVERSIONS, TEMPORARY SEDIMENTATION BASINS, ROCK CHECK DAMS AND SILT FENCE. THESE MEASURES SHALL BE INSTALLED AND REMOVED AS REQUIRED TO PREVENT SEDIMENTS FROM LEAVING THE SITE OR AS DIRECTED BY THE CITY DURING CONSTRUCTION
  4. SEED ALL DISTURBED AREAS AS REQUIRED BY NPDES PERMIT
  5. PROPOSED SANITARY MANHOLES AND WATERMAIN VALVES SHALL BE ADJUSTED TO NEW STREET HEIGHTS.

- NOTES:
1. CONCRETE ADJUSTING RINGS, MIN. 4" MAX 10" NO MINIMUM WITH FINAL ADJUSTMENT.
  2. CONCRETE BASE SHALL BE 6" POURED IN PLACE OR 5" PRECAST SLAB.



NOTE: ALL STRUCTURES TO BE 24"x36"  
 CASTINGS R-3067

| STRUCTURE | RE    | IE    | SUMP |
|-----------|-------|-------|------|
| CB 101A   | 879.6 | 876.6 | -    |
| CB 101    | 879.5 | 876.5 | -    |
| MH 102    | 879.5 | 875.5 | -    |
| CB 103    | 880.0 | 877.0 | -    |
| MH 104    | 879.6 | 876.5 | -    |



SHEET NO. \_\_\_\_\_ OF \_\_\_\_\_

**GUARDIAN ANGELS WEST**  
 ELK RIVER, MN  
**FOR: GUARDIAN ANGELS GRADING PLAN**

**John Oliver & Associates, Inc.**  
 Civil Engineering, Land Surveying, Detail Drafting  
 580 Dodge Avenue  
 Elk River, Minnesota 55330  
 (612)941-2072 FAX(612)941-8685

201 W. Travelers Trail, Suite 200  
 Burnsville, Minnesota 55337  
 (612)894-3045 FAX(612)894-3049

I hereby certify that this plan was prepared by me or under my direct supervision and that I am a duly Licensed Professional Engineer in the State of Minnesota.

Signed: \_\_\_\_\_  
 Date: 5/8/98 Reg. No. 24552

| REV | NO. | DATE    | DESCRIPTION                   |
|-----|-----|---------|-------------------------------|
| 1   | 1   | 5/27/98 | GRADES, STW SEW & ADD CB 101A |
| 2   | 2   | 6/30/98 | DRAINAGE SWALE, ADJ. CONTOURS |
| 3   | 3   | 7/9/98  | SPOT ELEVATIONS               |

DATE: 5/8/97  
 DESIGN BY: JH  
 DRAWN BY: TGL  
 CHECKED BY: JH  
 DWG: GRADES.DWG  
 TEXT: NONE  
 FILE NO.: 6506.10-03