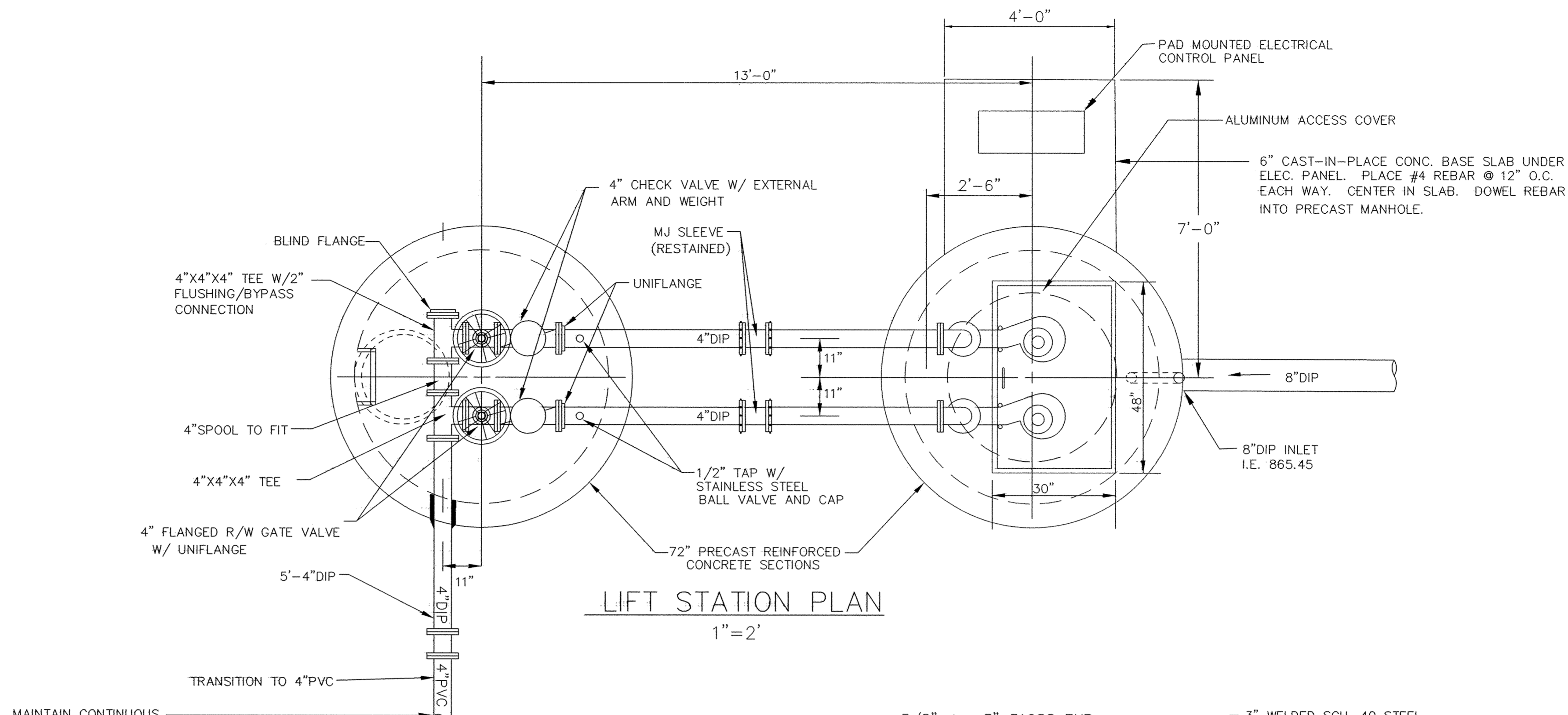


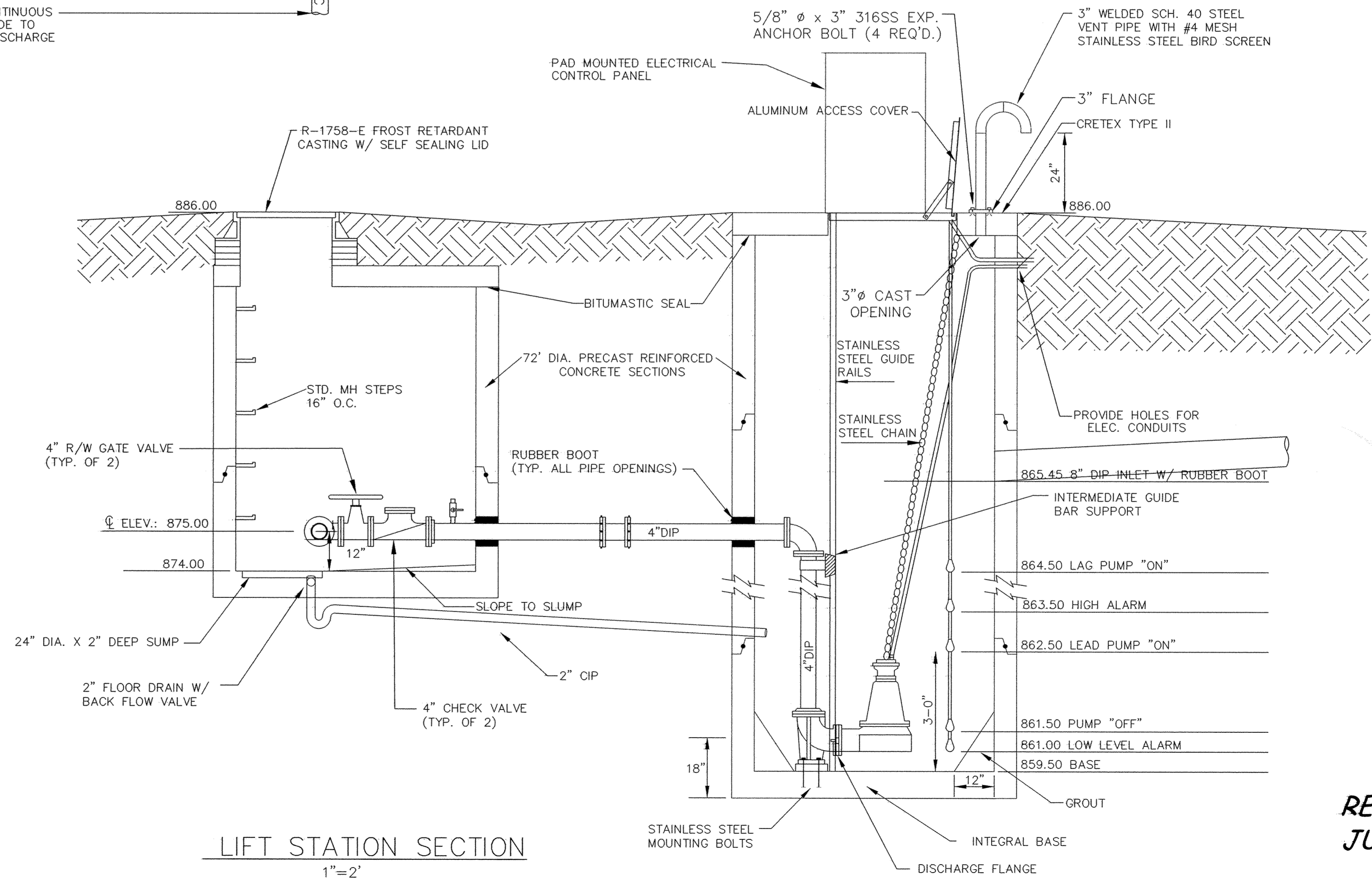
**NOTES:**

1. ALL INTERIOR PIPING SHALL BE FLANGED AND SUPPORTED AS NECESSARY TO HOLD THE PIPE AND APPURTENANCES IN A FIRM SUBSTANTIAL MANNER AT THE LINES AND GRADE SHOWN AND WITHOUT STRAIN UPON THE PIPING AND CONNECTED EQUIPMENT.
2. ONE FULL LENGTH OF BURIED FORCEMAIN SHALL HAVE RESTRAINED JOINTS. ALL FORCEMAIN FITTINGS SHALL BE RESTRAINED JOINT DUCTILE IRON FITTINGS.



**LIFT STATION PLAN**  
1" = 2'

MAINTAIN CONTINUOUS POSITIVE GRADE TO FORCEMAIN DISCHARGE AT MANHOLE



**LIFT STATION SECTION**  
1" = 2'

**RECORD PLAN**  
**JUNE, 2003**



DESIGNED BY: \_\_\_\_\_ DRAWN BY: LK  
 APPROVED BY: \_\_\_\_\_ JOB NUMBER 810641J  
 CAD DATE: January 24, 2005 11:51:07 a.m.  
 CAD FILE: 810641J\asbuiits\810641-LSA.DWG (JCUNNIN)

I HEREBY CERTIFY THAT THIS PLAN, SPECIFICATION, OR REPORT WAS PREPARED BY ME OR UNDER MY DIRECT SUPERVISION AND THAT I AM A DULY LICENSED PROFESSIONAL ENGINEER UNDER THE LAWS OF THE STATE OF MINNESOTA.  
 SIGNATURE: *[Signature]* DATE: 2/2/05  
 PRINTED NAME: KEVIN F. NEWMAN LIC. NO. 25198

NO.	DATE	BY	REVISION DESCRIPTION

1326 ENERGY PARK DRIVE  
 ST. PAUL, MINNESOTA 55108  
 (612) 644-4389  
 **Howard R. Green Company**  
 CONSULTING ENGINEERS

**FOX HAVEN**  
 CITY OF ELK RIVER

**LIFT STATION**

SHEET NO.  
**11**

DRAWING NUMBER  
 FOXHA.05  
 SARGO PRODUCTS • NEW UPR, MINNESOTA  
 REVISION HEAD OF PRINT OR THE LINE  
 REVISION BY PART NUMBER 8532  
 REVISION DATE OF PRINT OR THE LINE