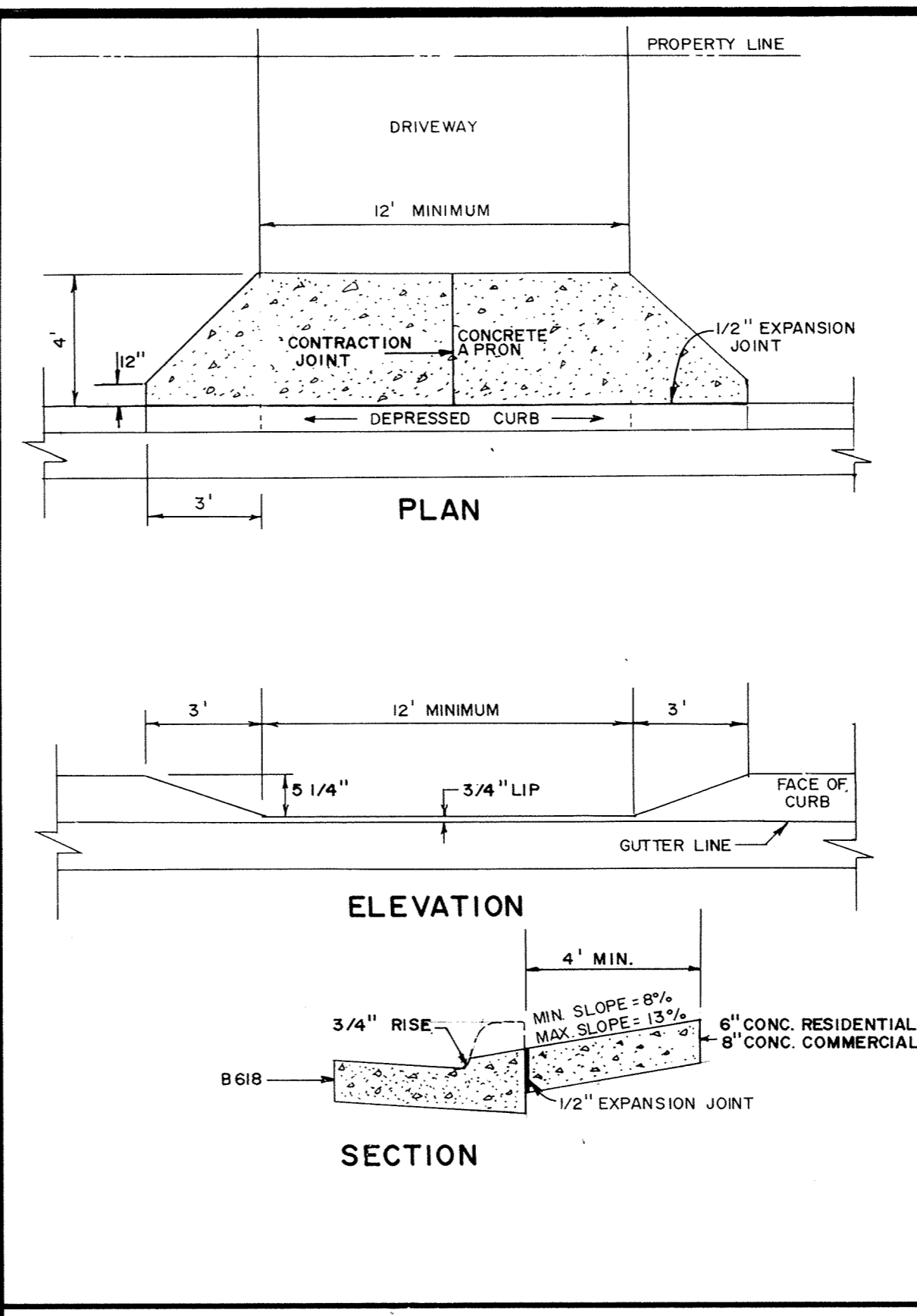
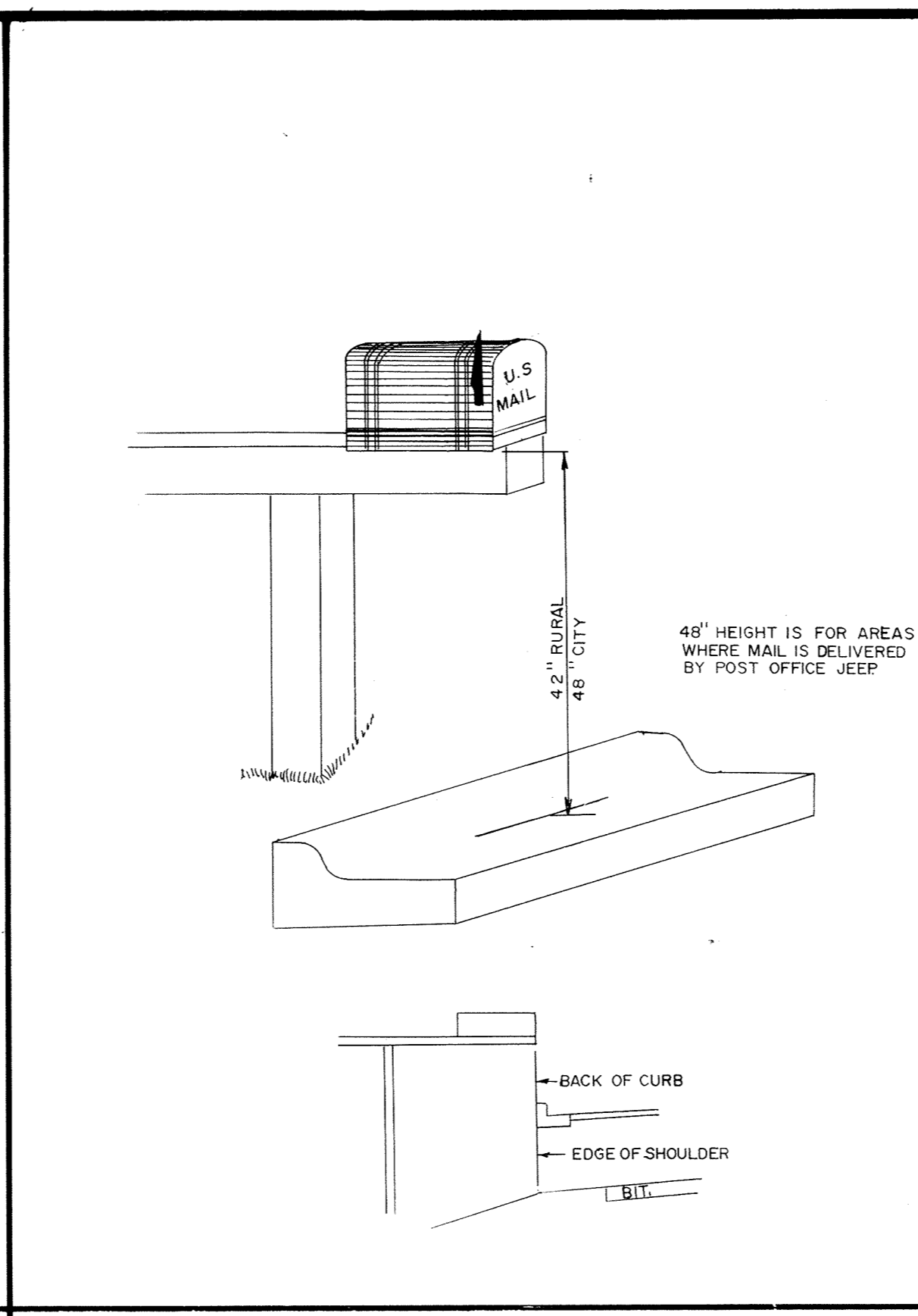


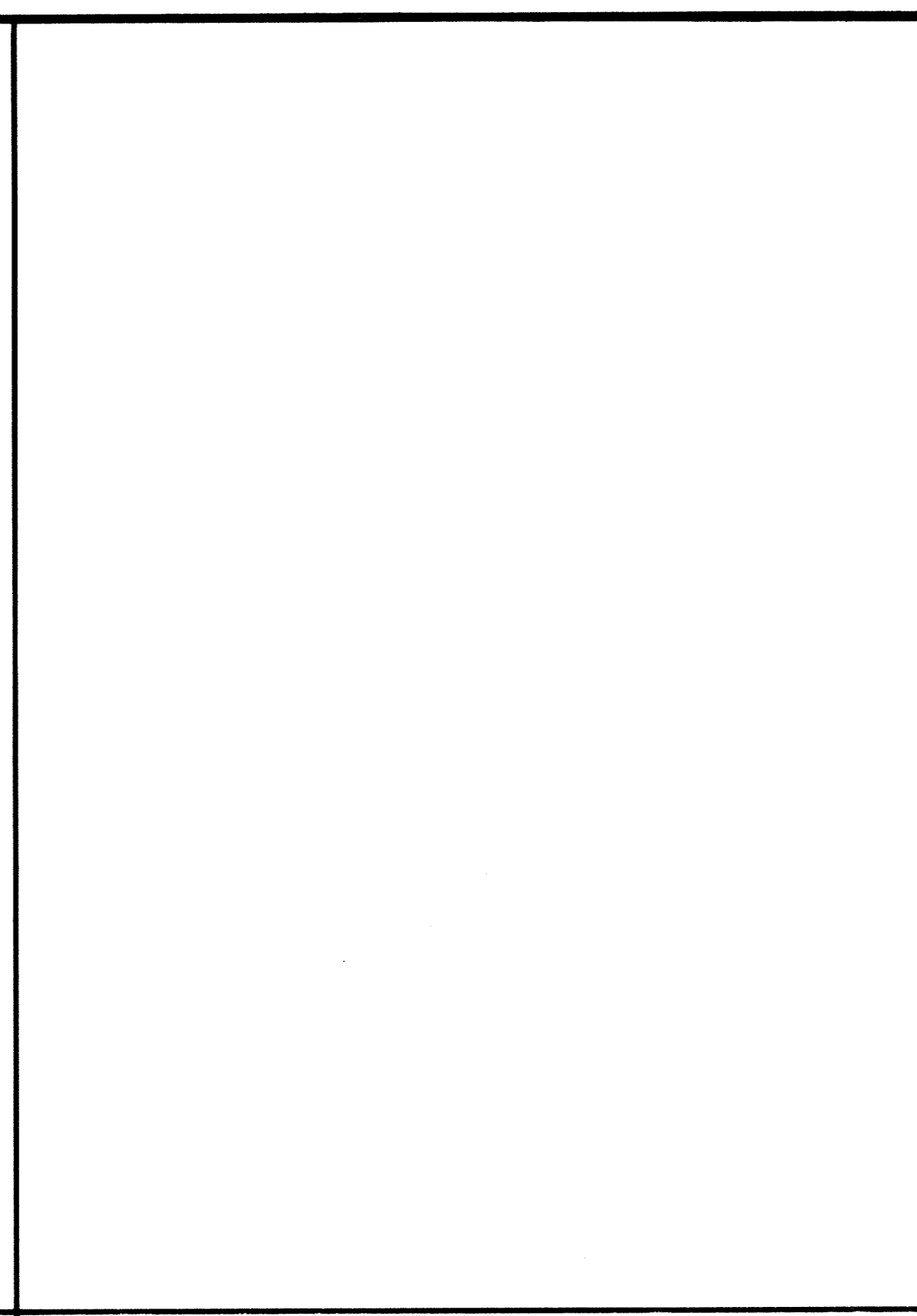
CONCRETE CURB AND GUTTER B618



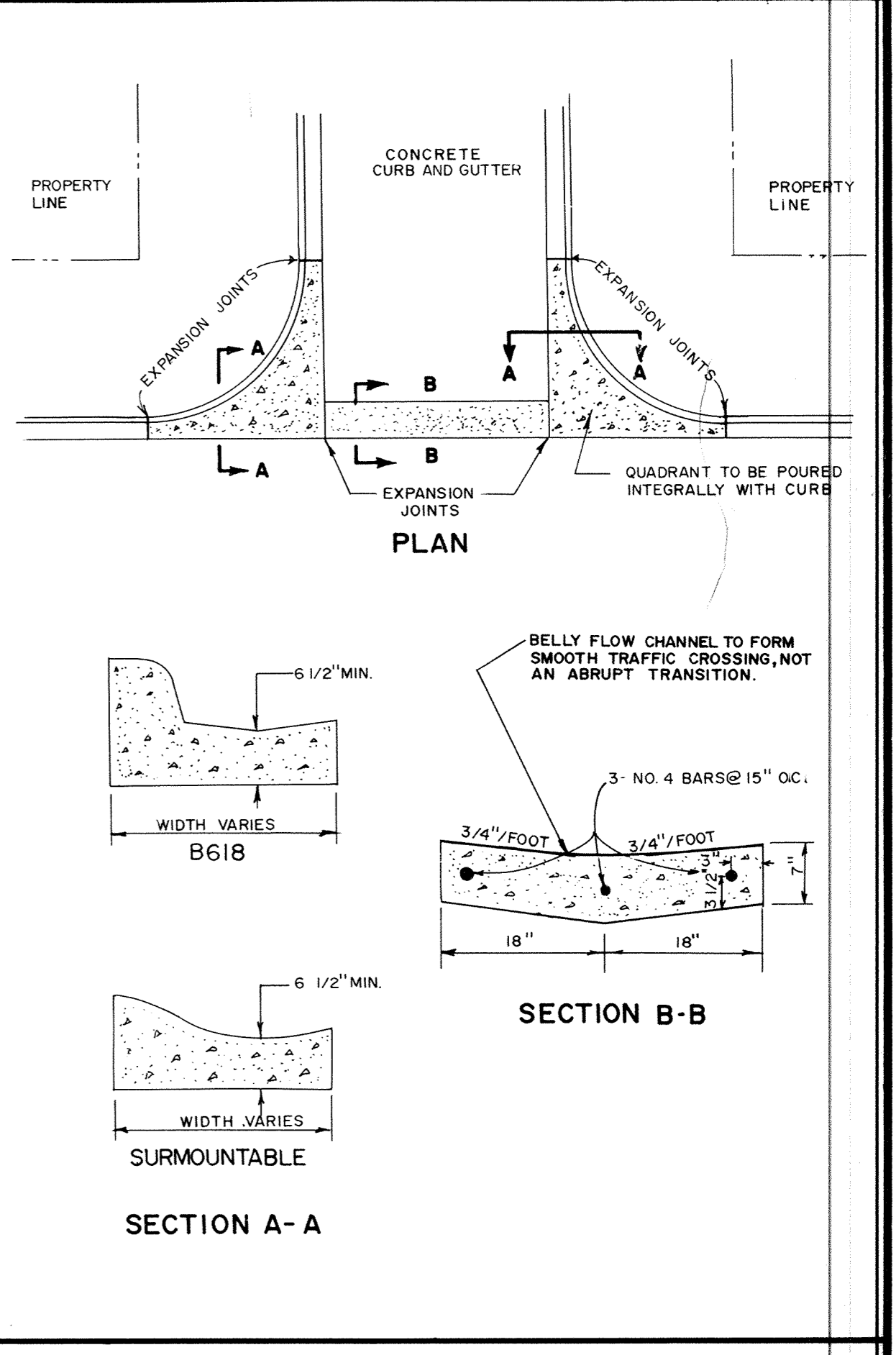
DEPRESSED CURB W/ DRIVEWAY APRON



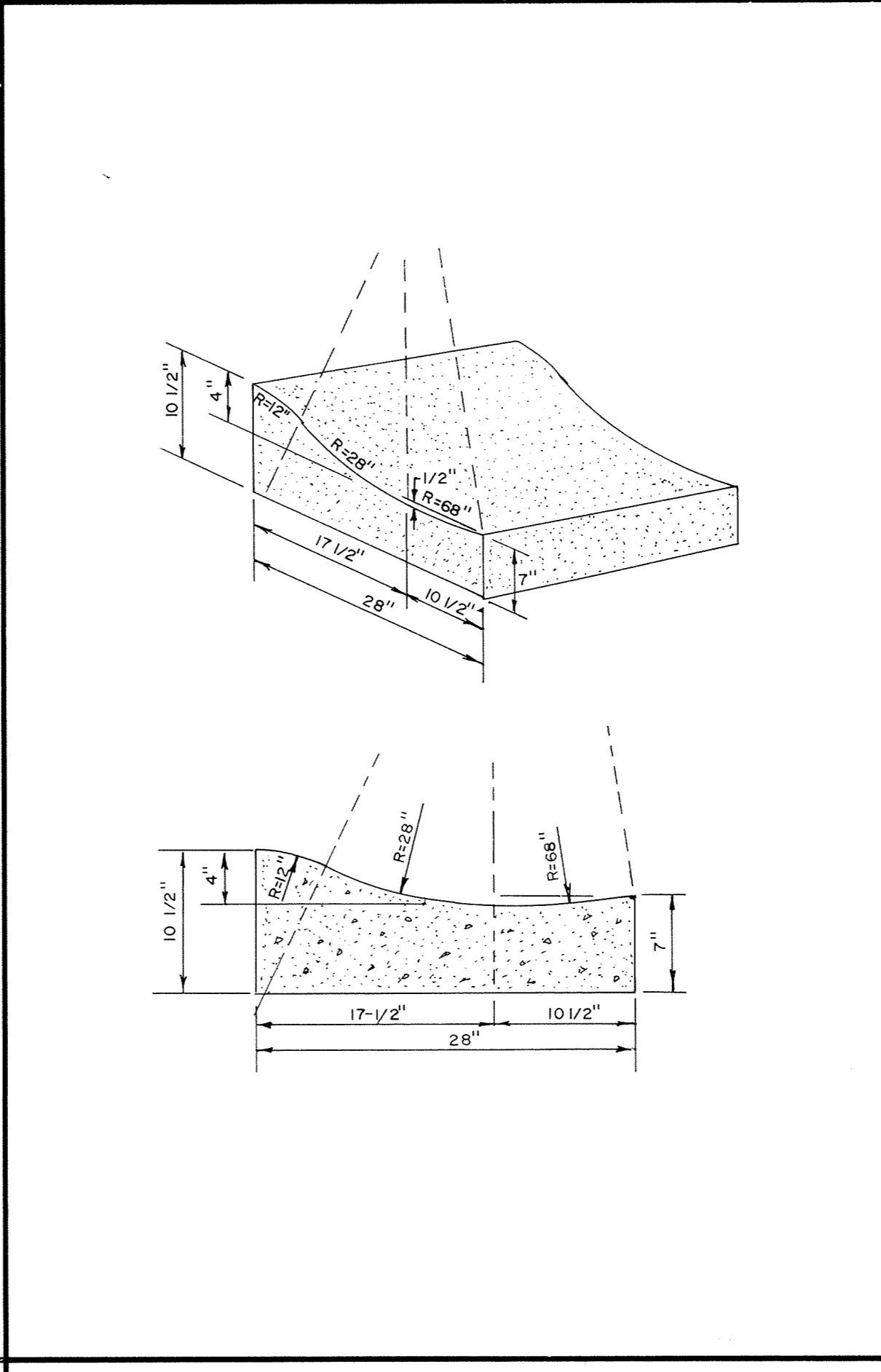
MAIL BOX



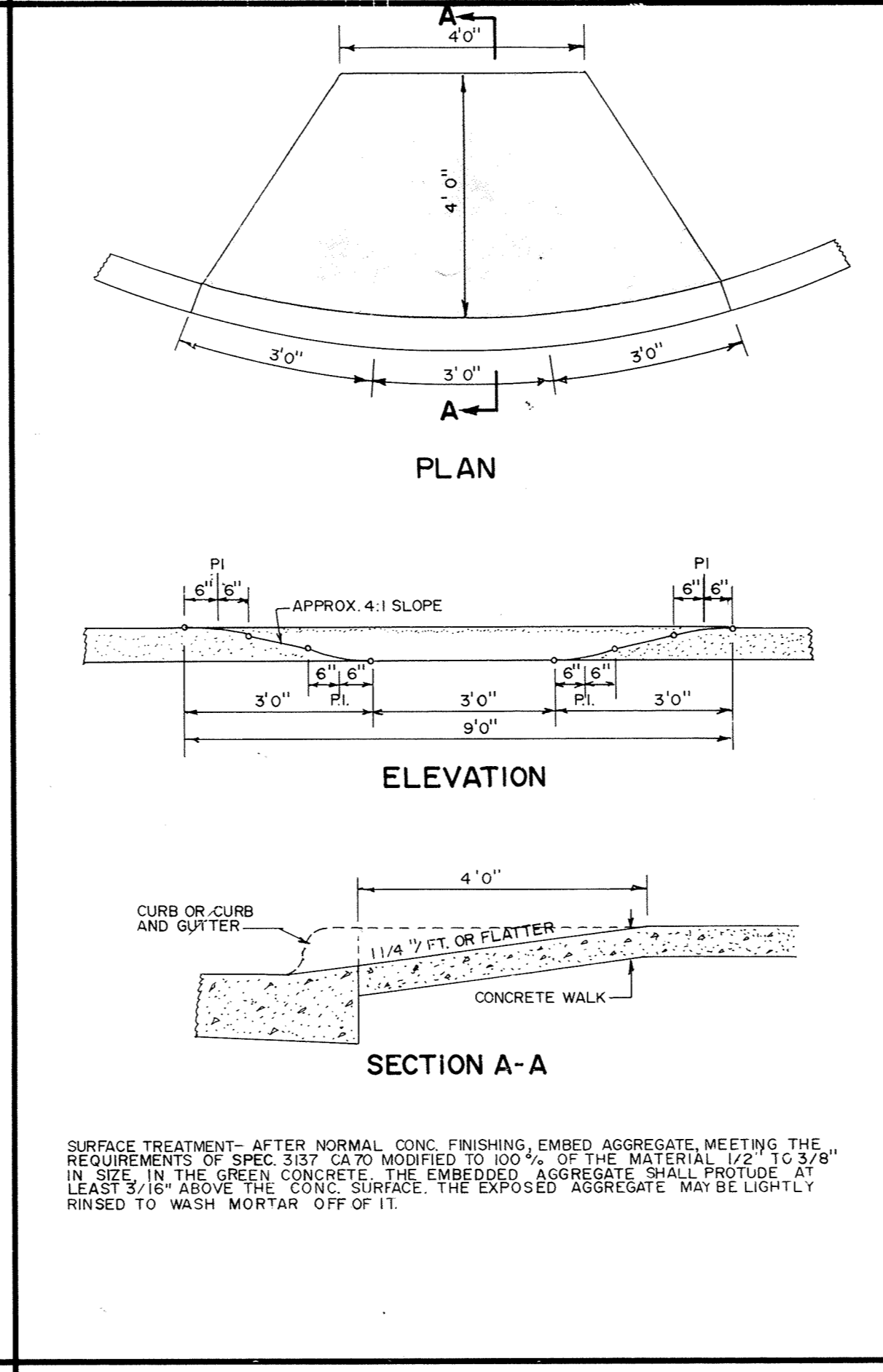
RURAL DRIVEWAY ENTRANCE



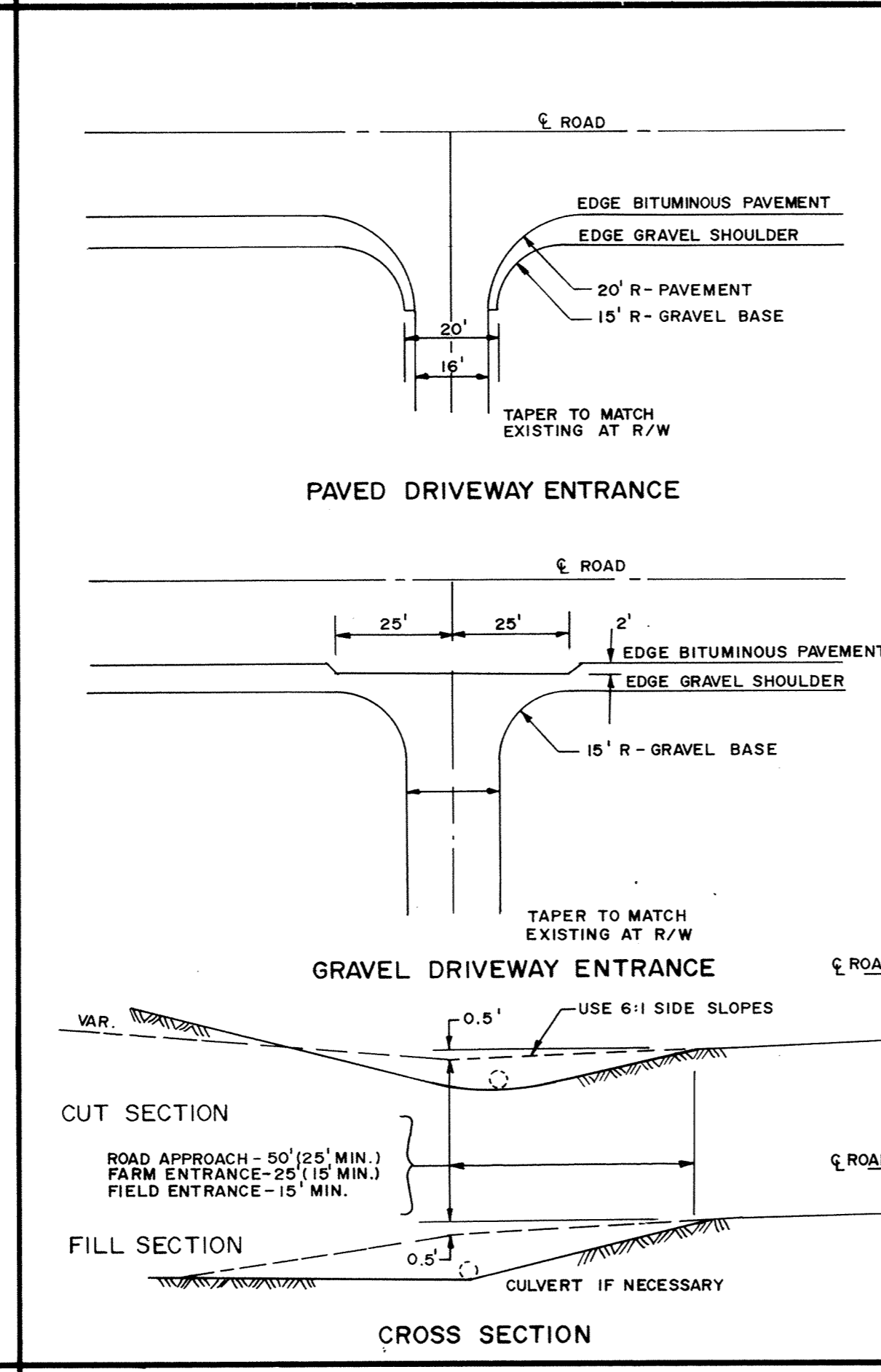
CONCRETE "V" GUTTER



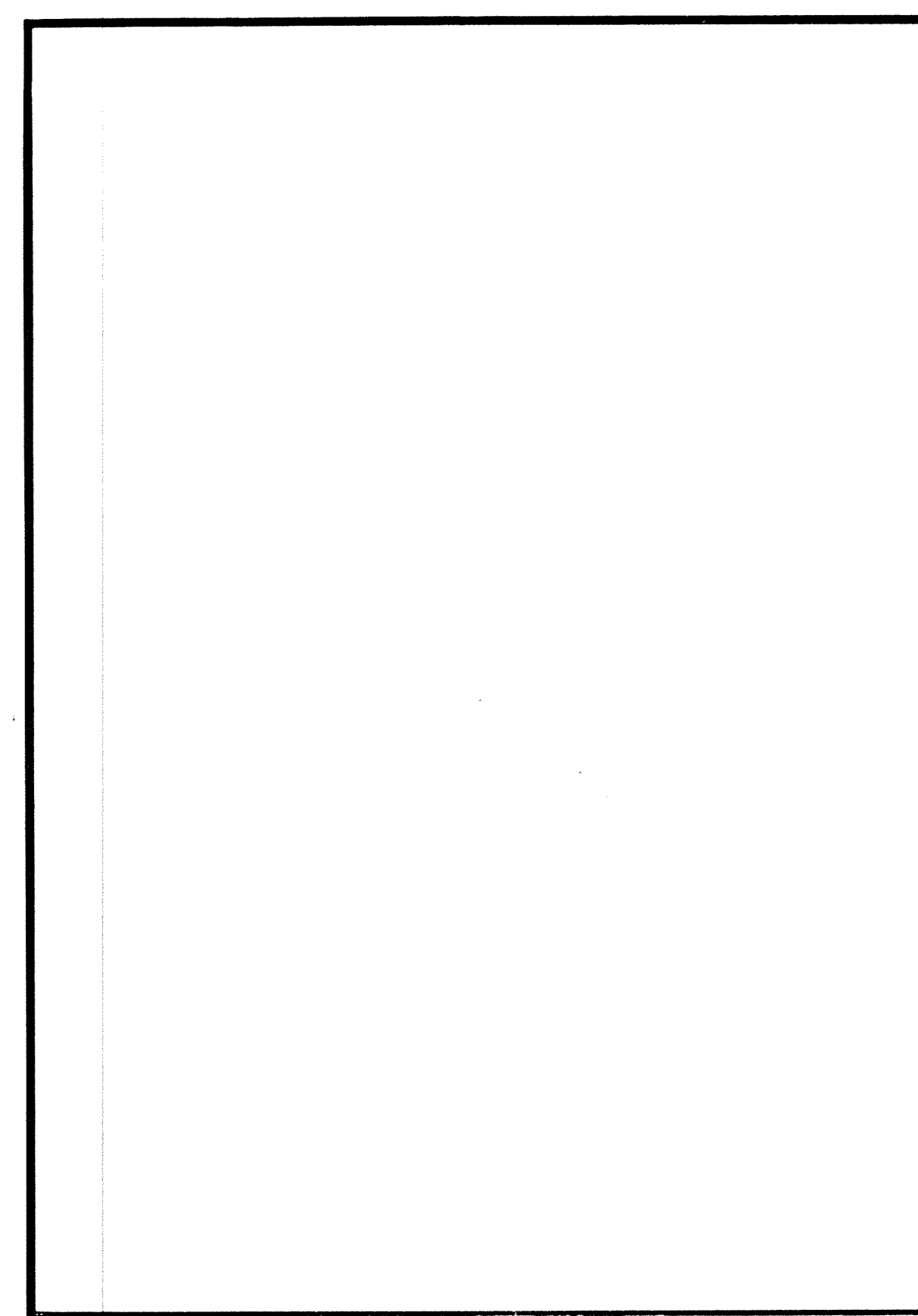
SURMOUNTABLE CONCRETE CURB AND GUTTER



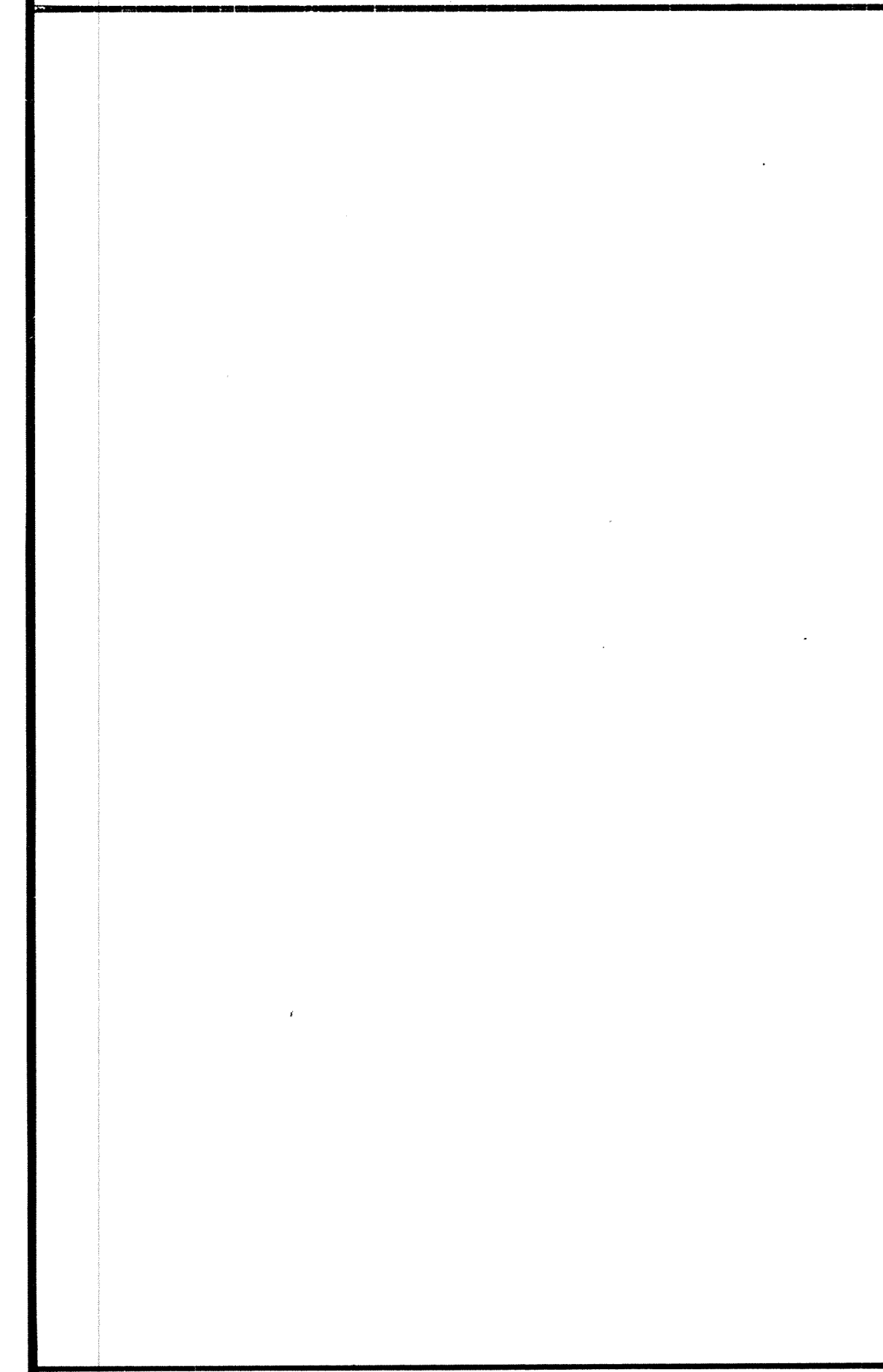
PEDESTRIAN CURB RAMPS



GRAVEL DRIVEWAY ENTRANCE



PAVED DRIVEWAY ENTRANCE



CURB OR CURB AND GUTTER

		CONSULTING ENGINEERS <b>Maier Stewart &amp; Associates Inc.</b> 1959 SLOAN PLACE (612) 774-6021 ST. PAUL, MINNESOTA 55117		DATE _____ DESCRIPTION _____ DESIGNED _____ CHECKED _____ DRAWN _____ GRAPHIC SCALE _____ HORIZ. NONE VERT. _____	CITY OF ELK RIVER S.A.P. 204-III-02 STREET CONSTRUCTION DETAILS
REVISIONS _____ DATE _____ DESCRIPTION _____		DATE MAR. 1991 SHEET 18 OF 18 SHEETS PROJECT NO. 230-110	DATE _____ DESCRIPTION _____ DESIGNED _____ CHECKED _____ DRAWN _____ GRAPHIC SCALE _____ HORIZ. NONE VERT. _____	DATE _____ SHEET _____ OF _____ SHEETS PROJECT NO. _____	DATE _____ SHEET _____ OF _____ SHEETS PROJECT NO. _____