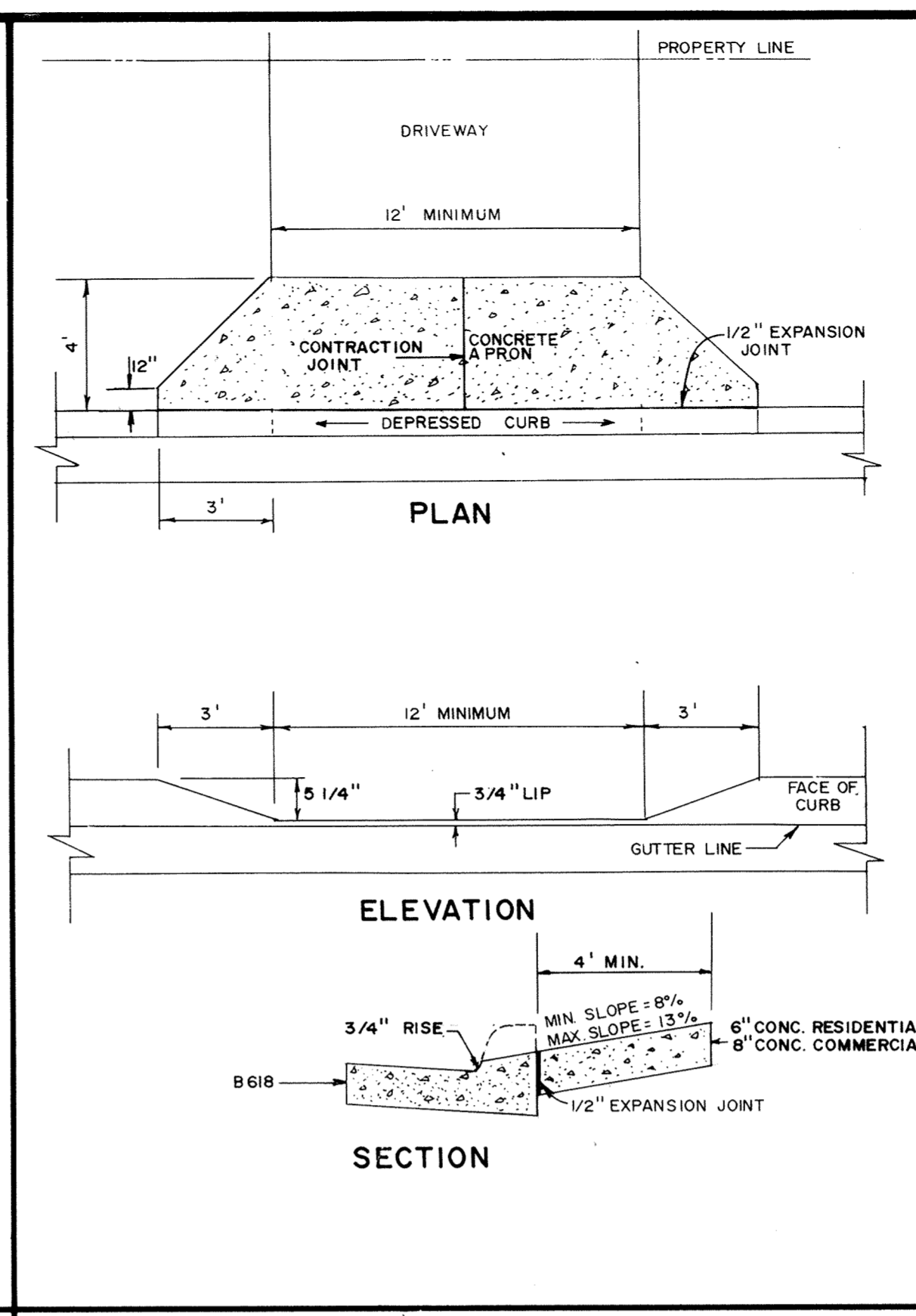
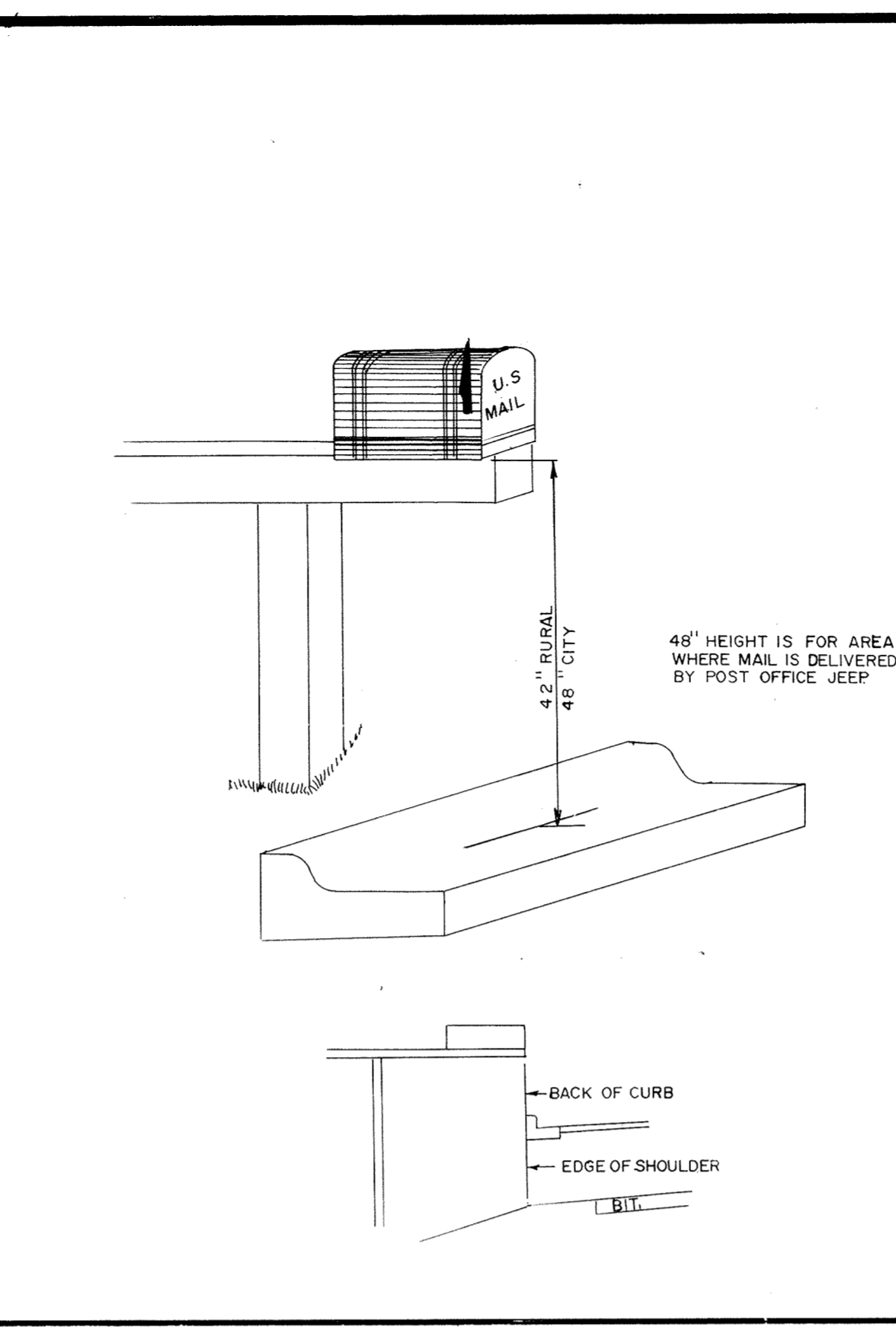


CONCRETE CURB AND GUTTER B618



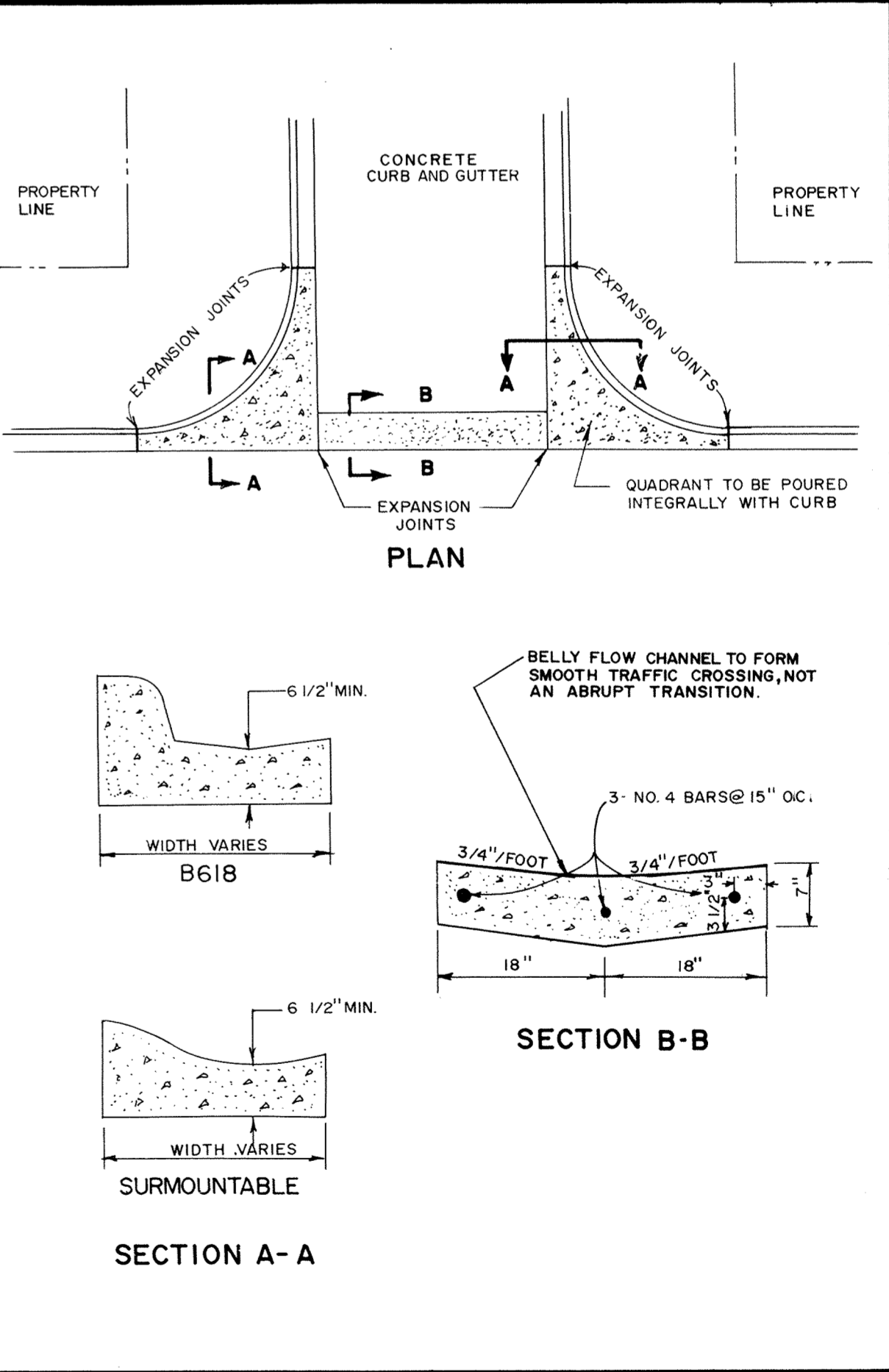
DEPRESSED CURB W/ DRIVEWAY APRON



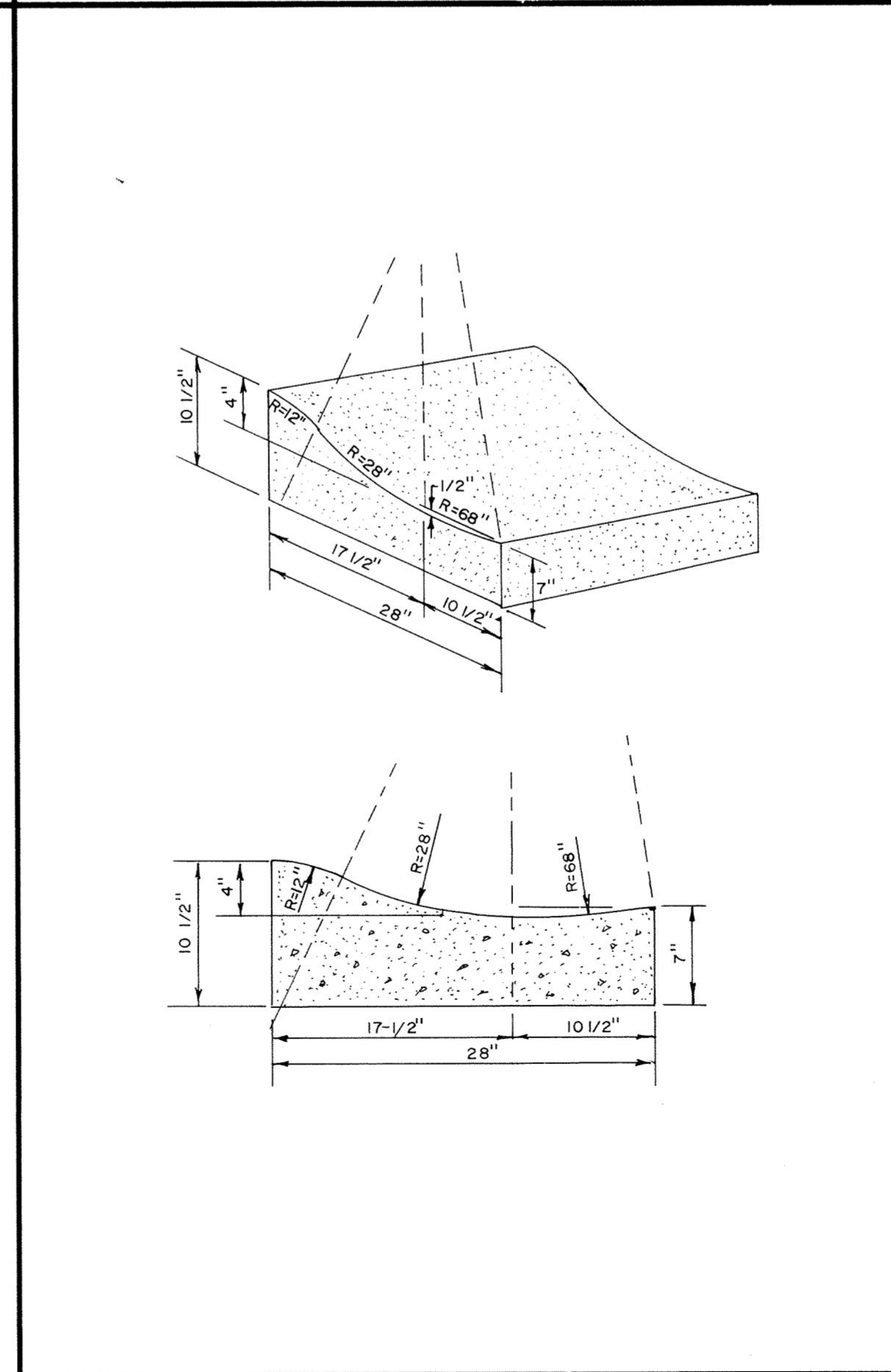
MAIL BOX



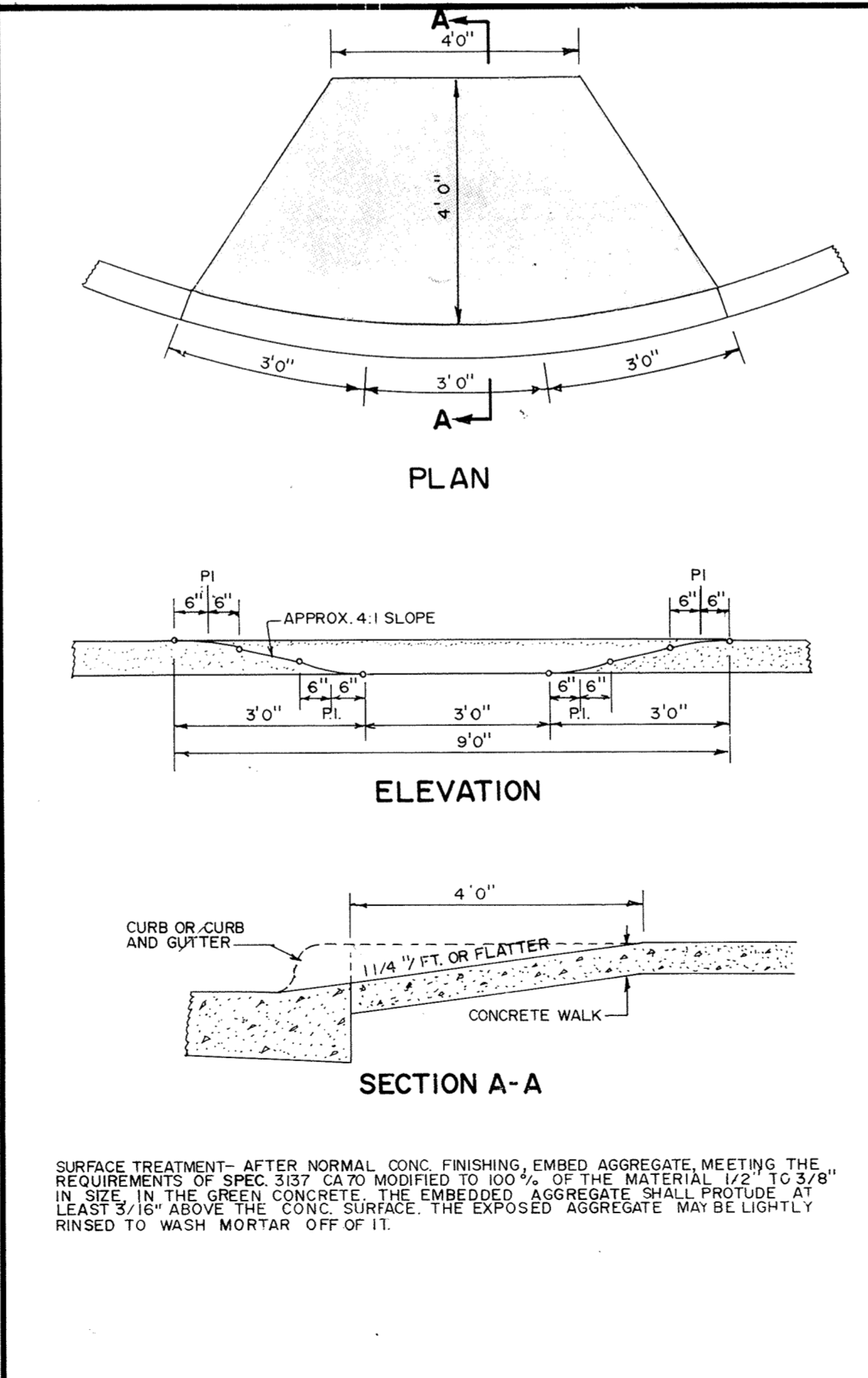
RURAL DRIVEWAY ENTRANCE



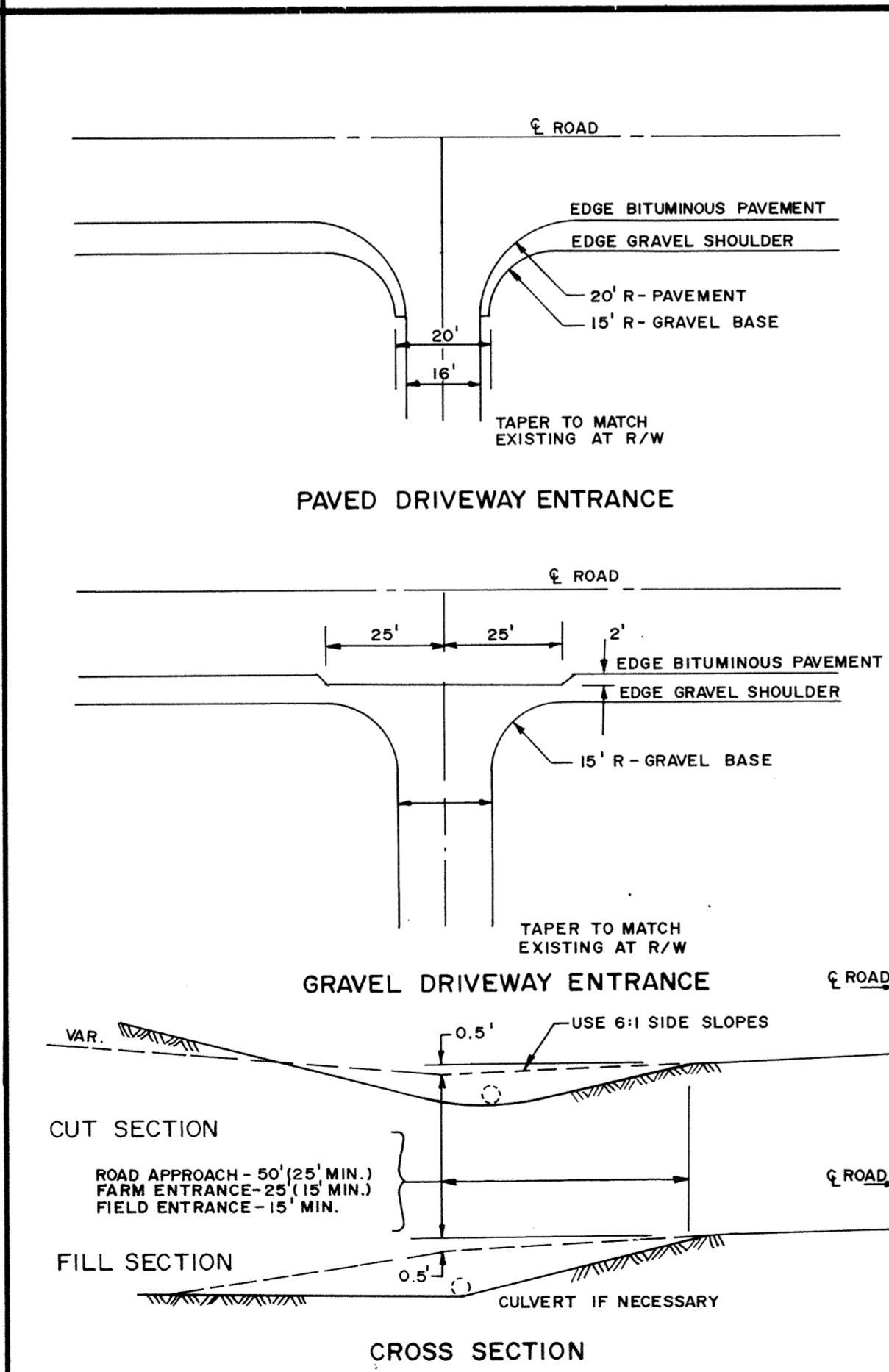
CONCRETE "V" GUTTER



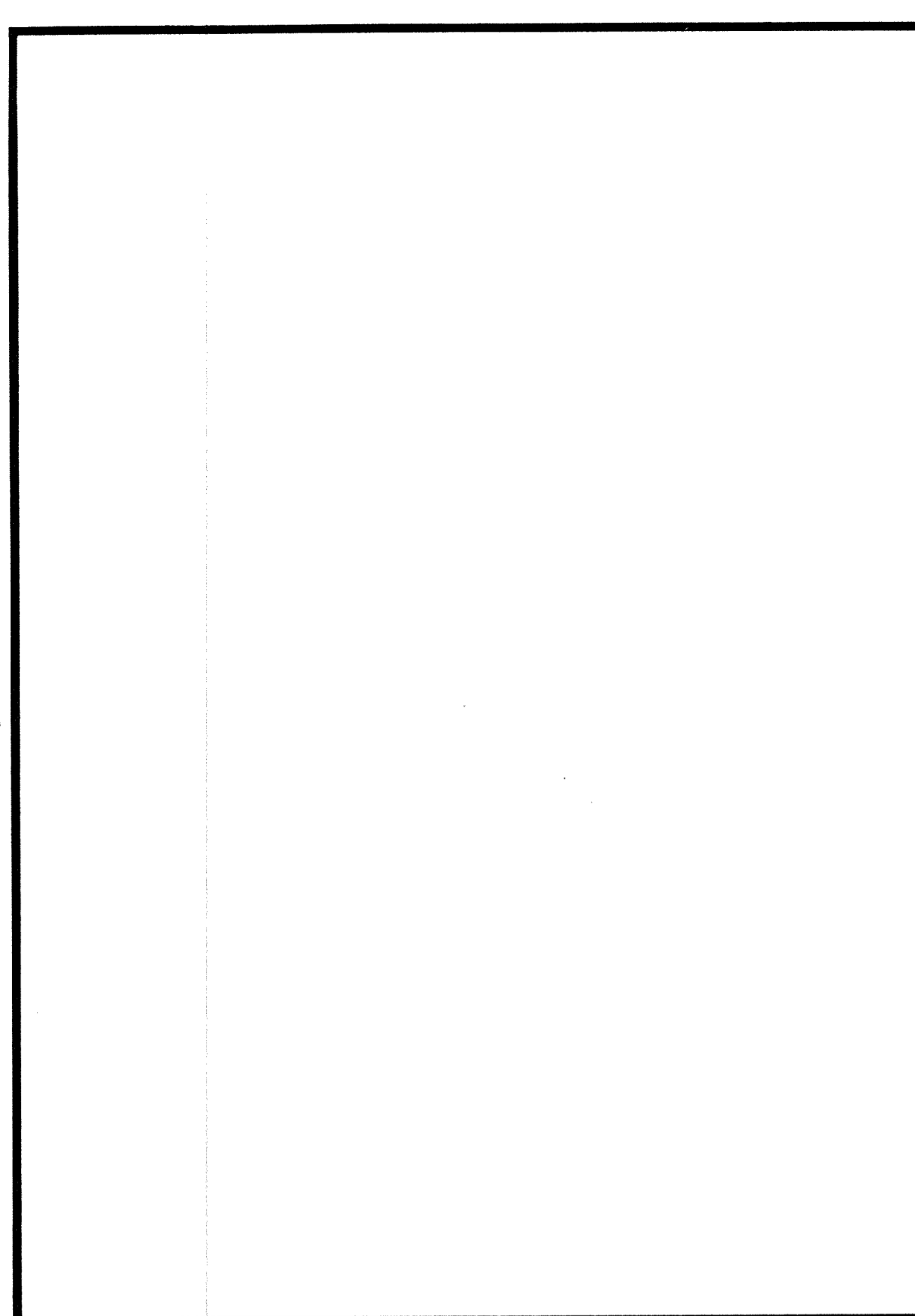
SURMOUNTABLE CONCRETE CURB AND GUTTER



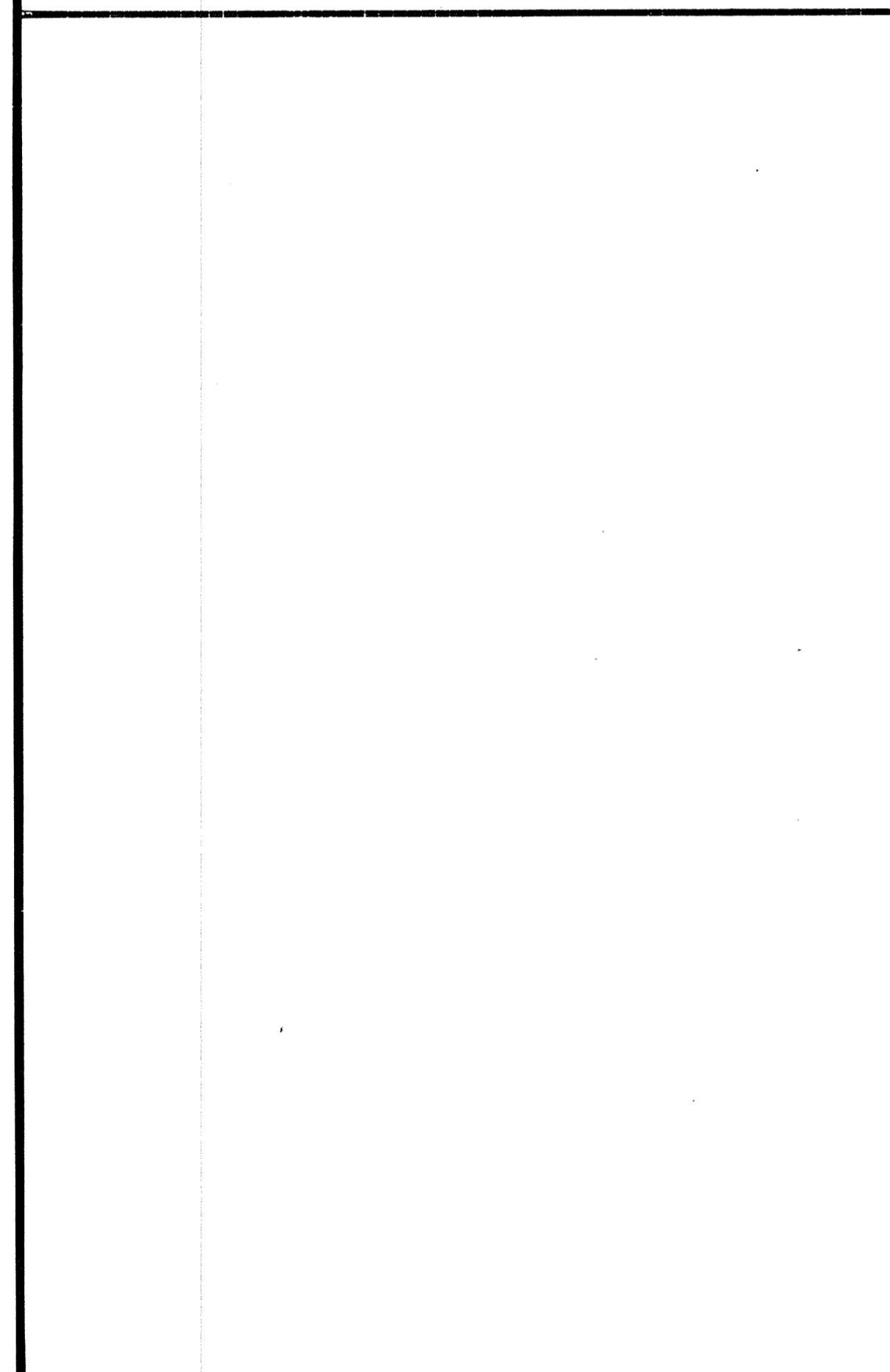
PEDESTRIAN CURB RAMPS



GRAVEL DRIVEWAY ENTRANCE



PAVED DRIVEWAY ENTRANCE



CUT SECTION
FILL SECTION

		DESIGNED _____ CHECKED _____ DRAWN GG GRAPHIC SCALE 0 HORIZ. NONE 0 VERT.	
1959 SLOAN PLACE (612) 774-6021 ST. PAUL, MINNESOTA 55117		CITY OF ELK RIVER S.A.P. 204-III-03 STREET CONSTRUCTION DETAILS	
DATE MAR. 1991	SHEET 13 OF 18 SHEETS	PROJECT NO. 230-056	DATE MAR. 1991 SHEET 13 OF 18 SHEETS PROJECT NO. 230-056