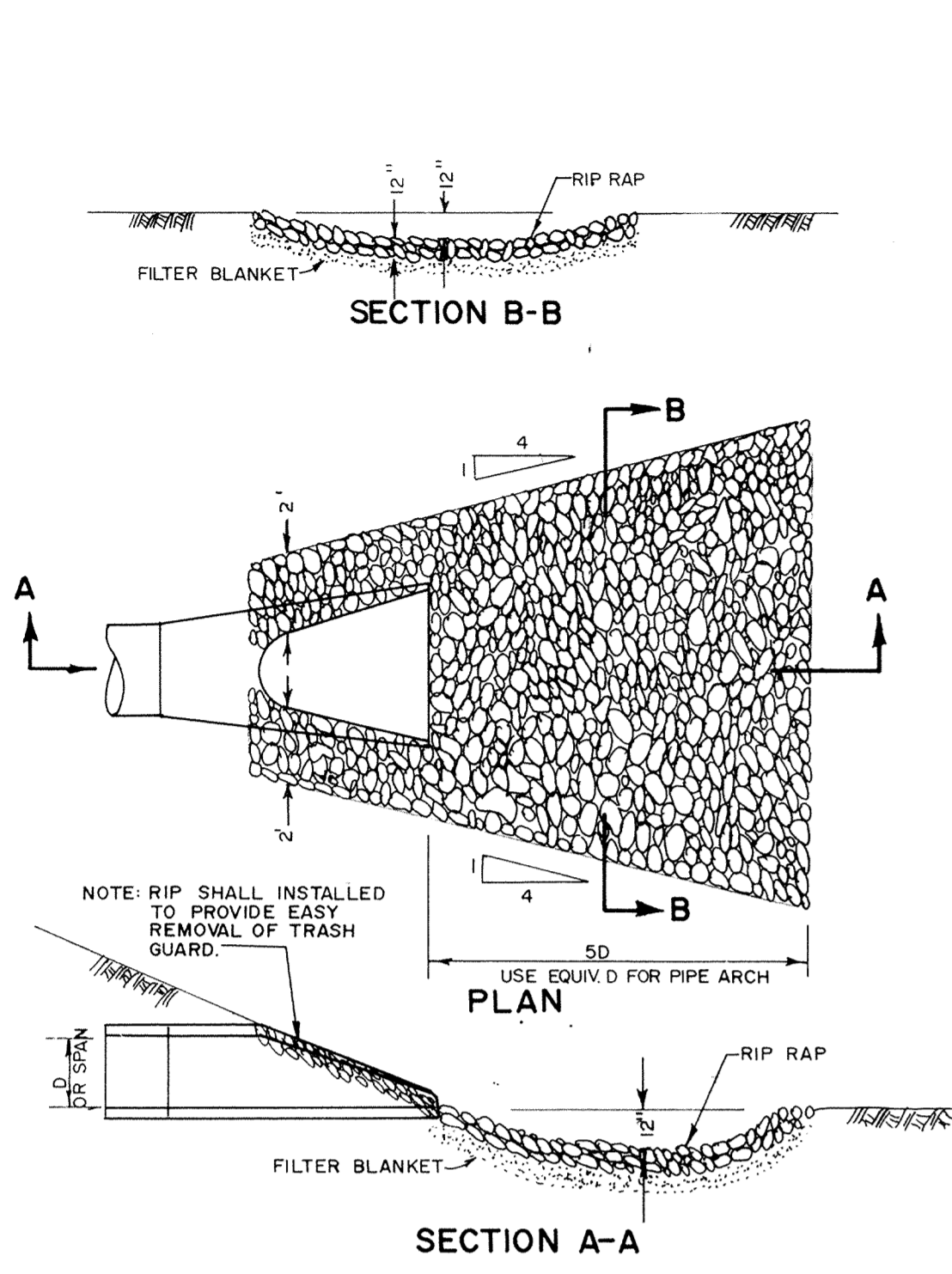
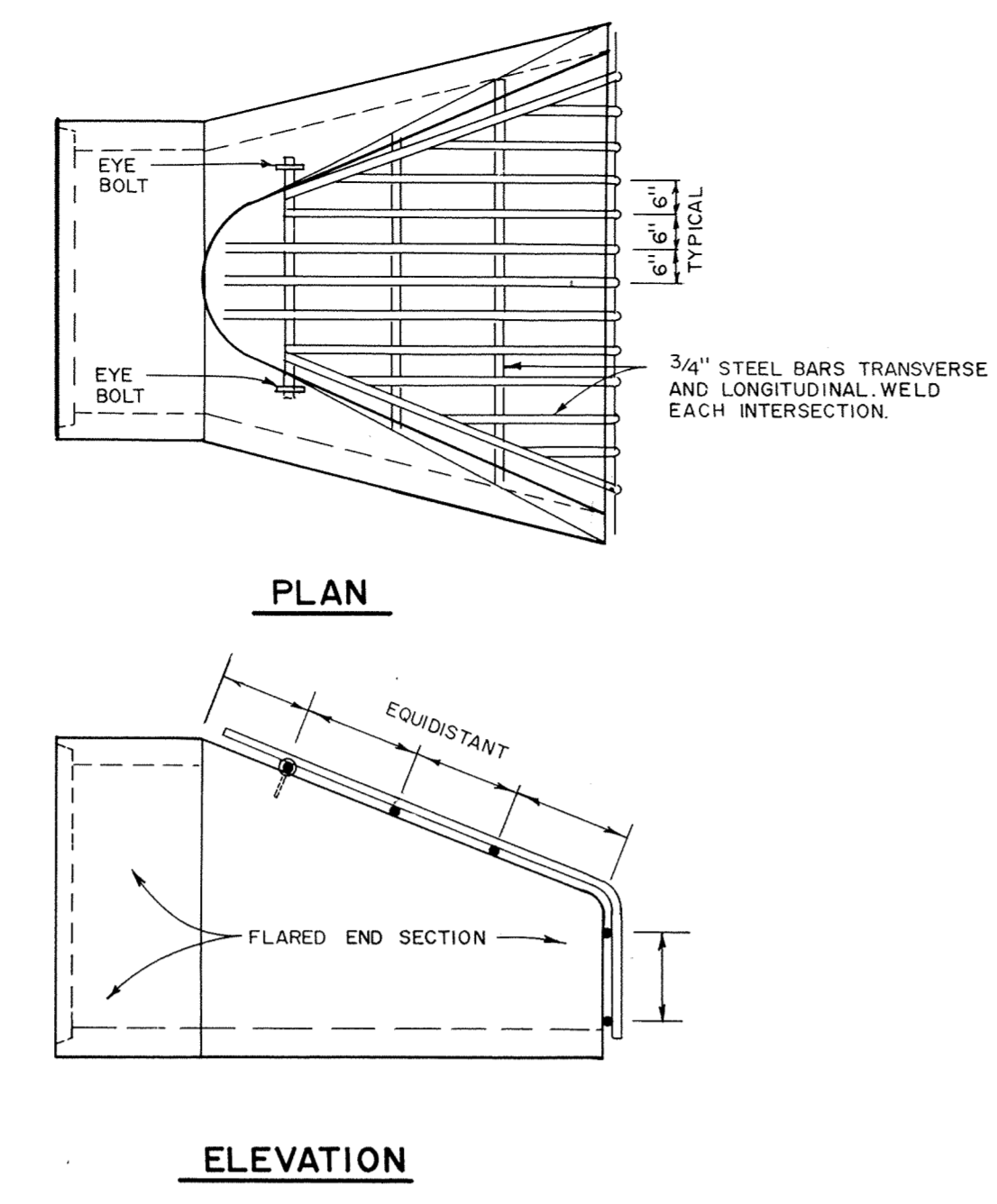
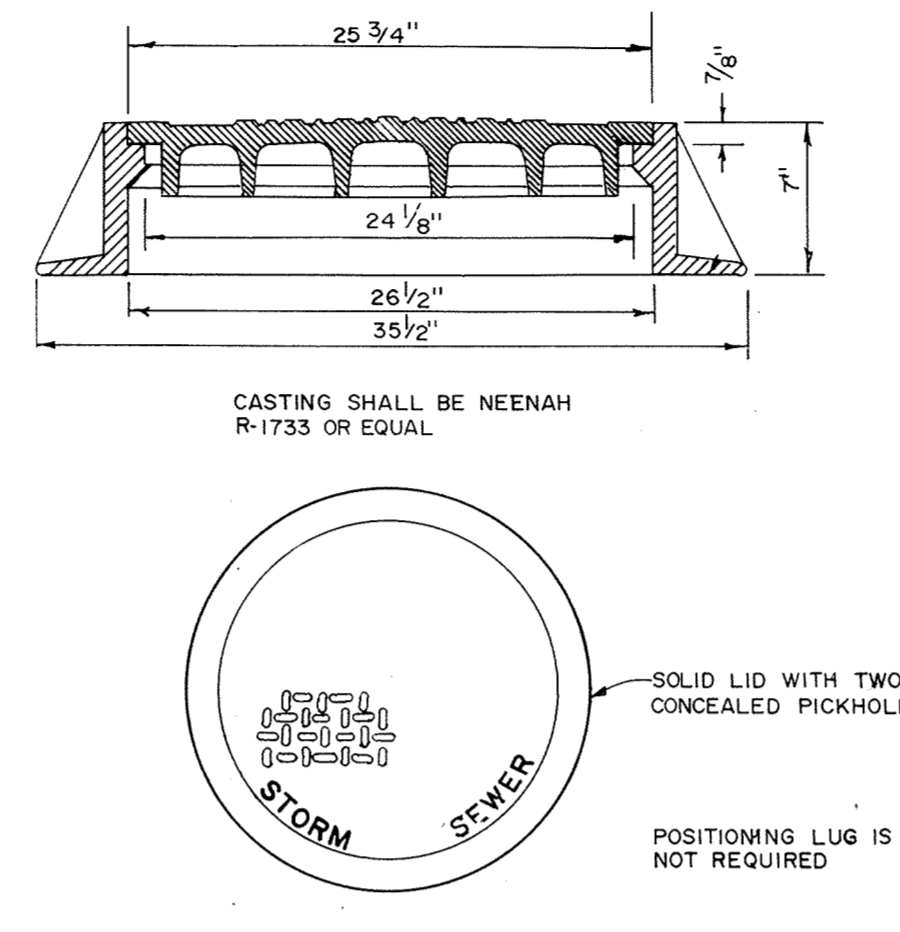
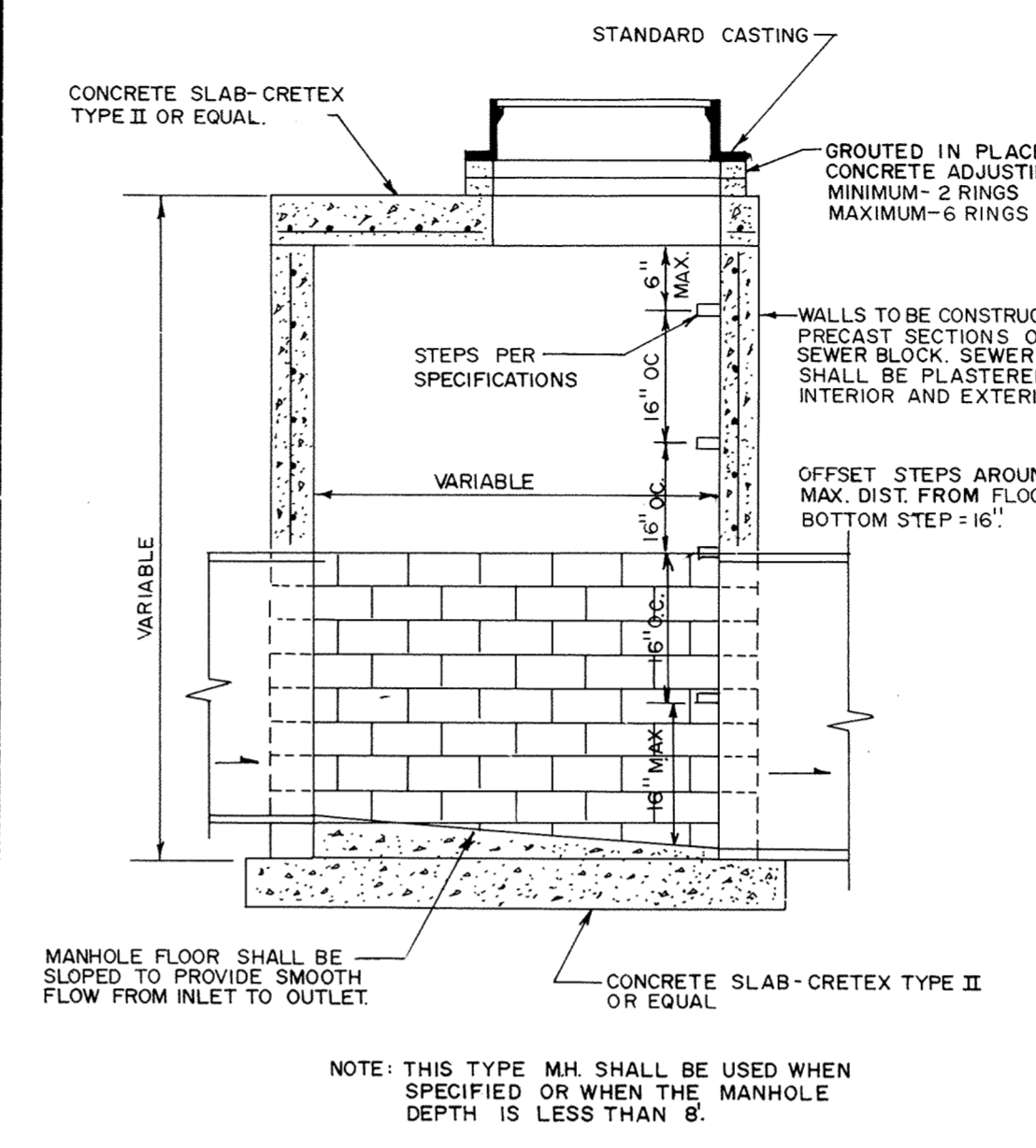
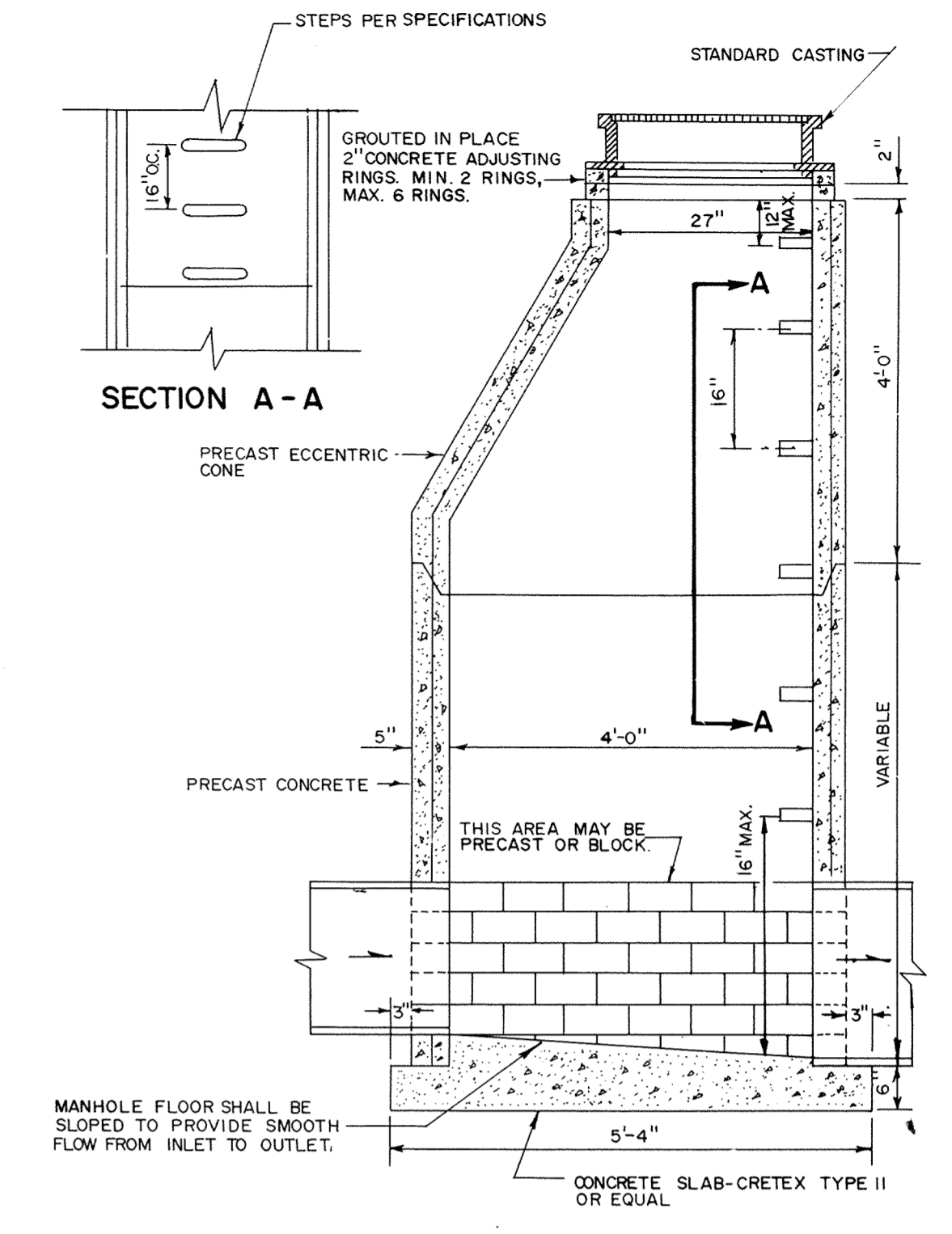


SARGO PRODUCTS • NEW HOPE, MINNESOTA
REVISION BY PART NUMBER 0332
MINNESOTA BLUEPRINT



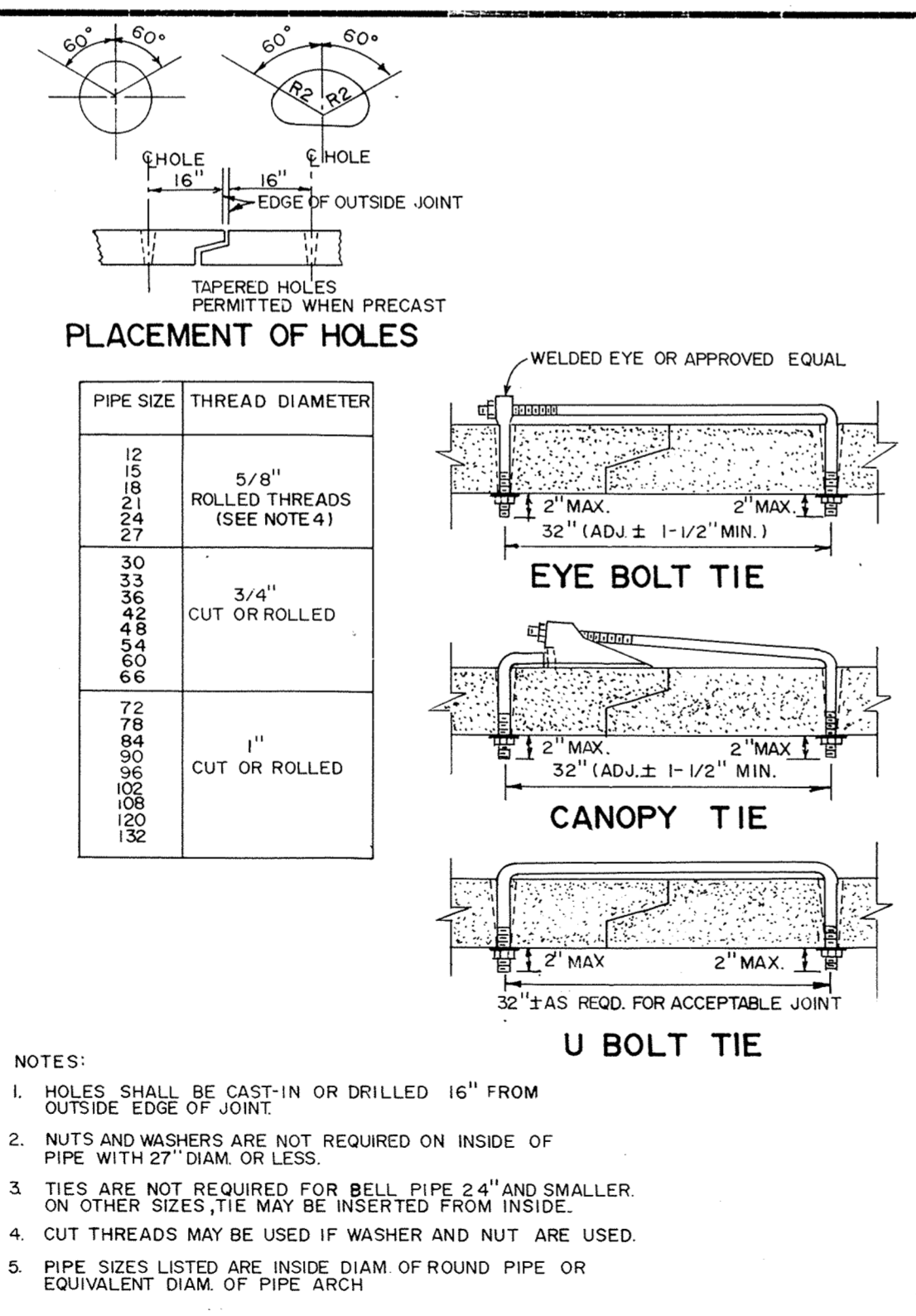
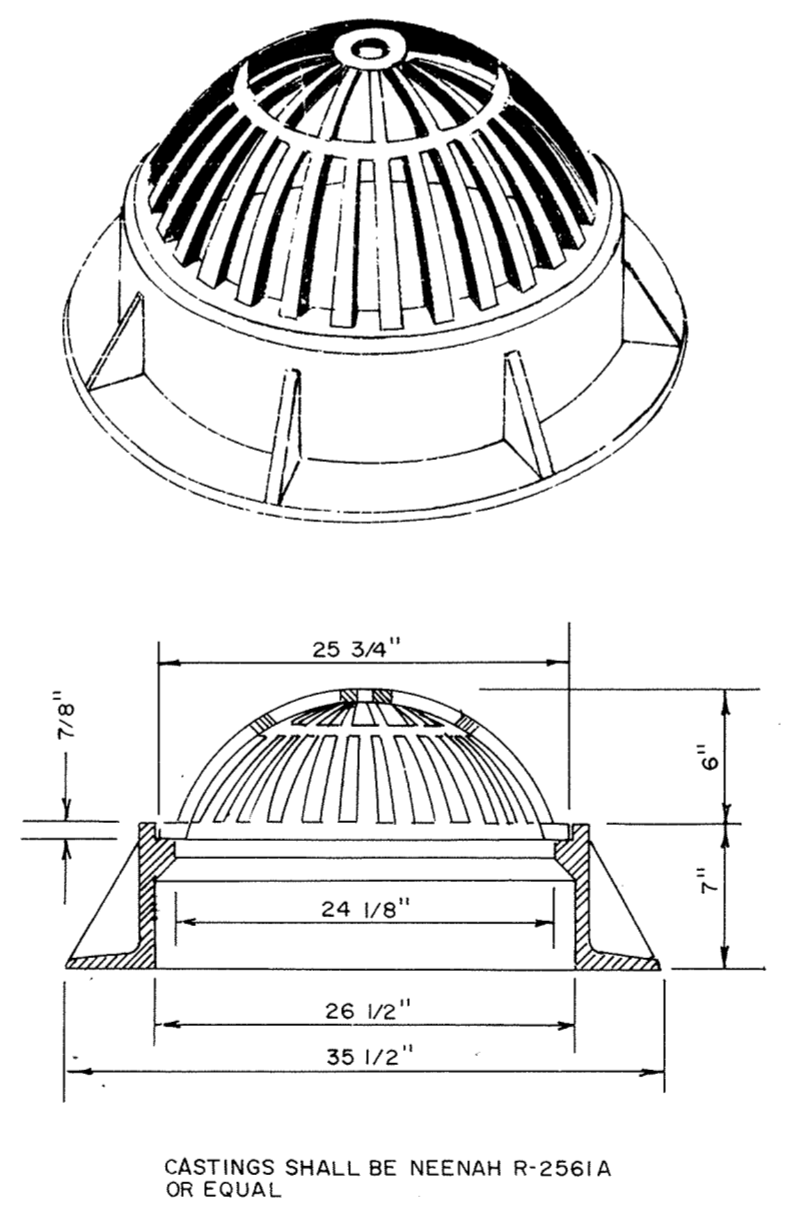
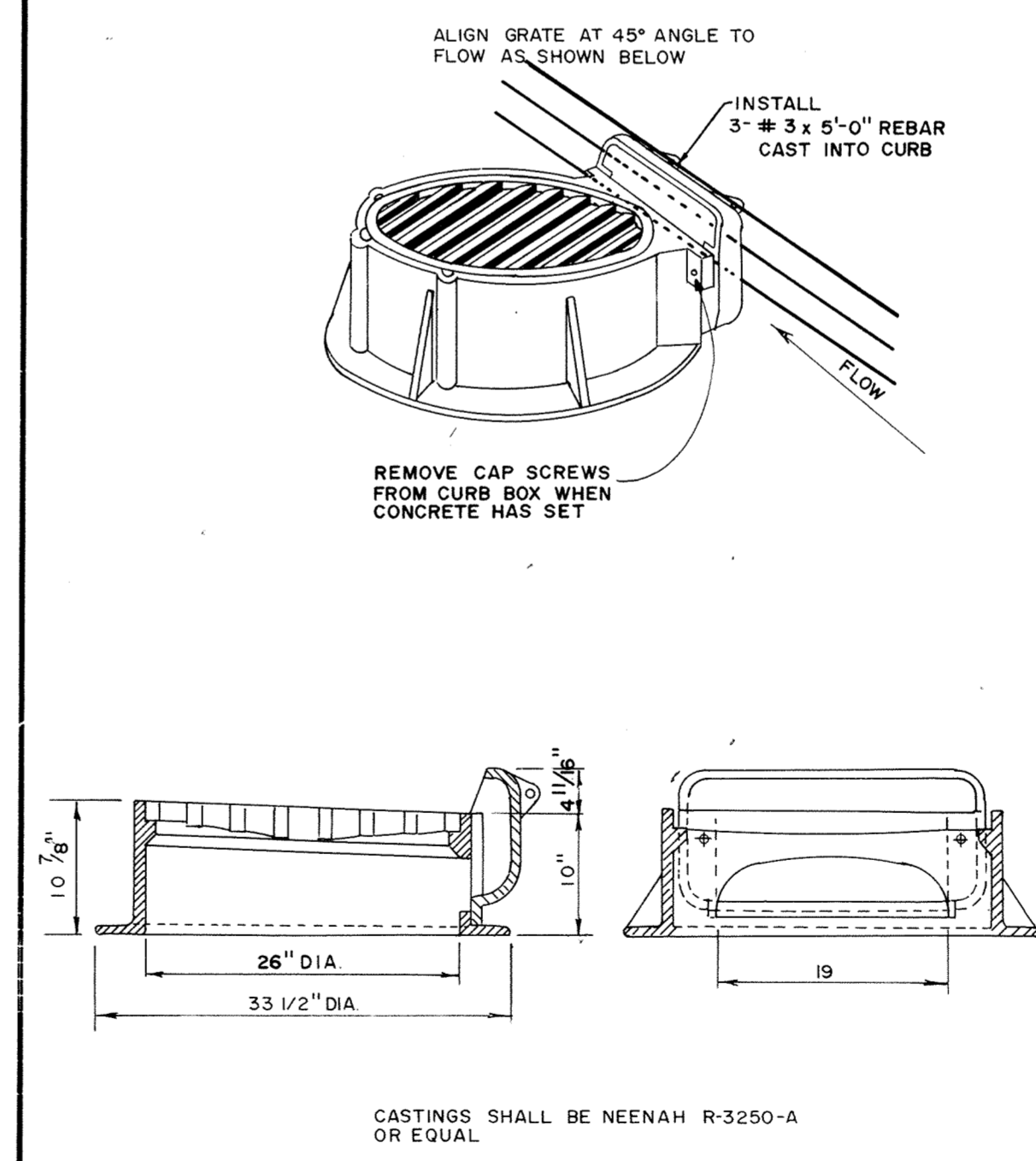
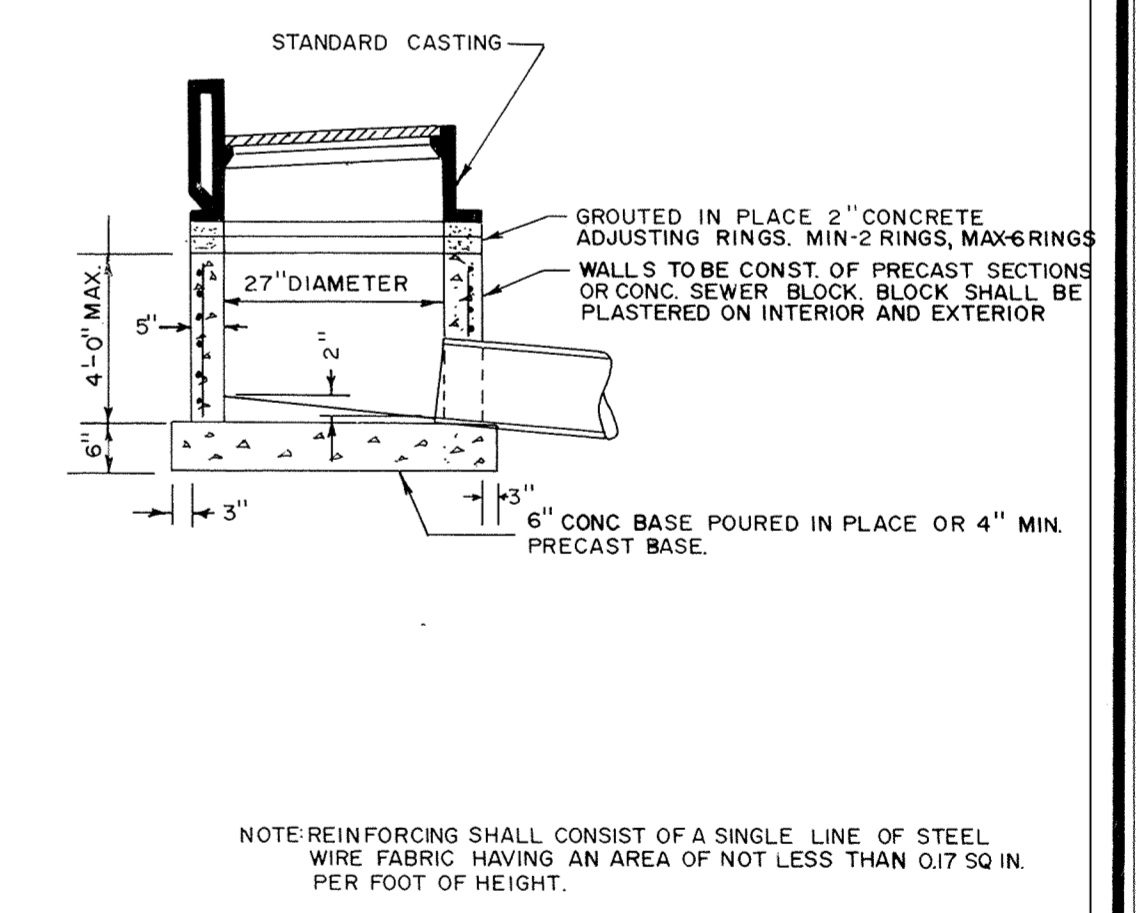
RIP-RAP INSTALLATION

TRASH GUARD

STANDARD MANHOLE CASTING

SLAB-TOP MANHOLE

STANDARD MANHOLE



RECORD PLAN JAN. 1991

CITY OF ELK RIVER
EVANS AVENUE
STORM SEWER DETAILS

MSA CONSULTING ENGINEERS
Maier Stewart & Associates Inc.
1959 SLOAN PLACE (612) 774-6021 ST. PAUL, MINNESOTA 55117

REVISIONS	DATE	DESCRIPTION	DESIGNED	CHECKED	DRAWN