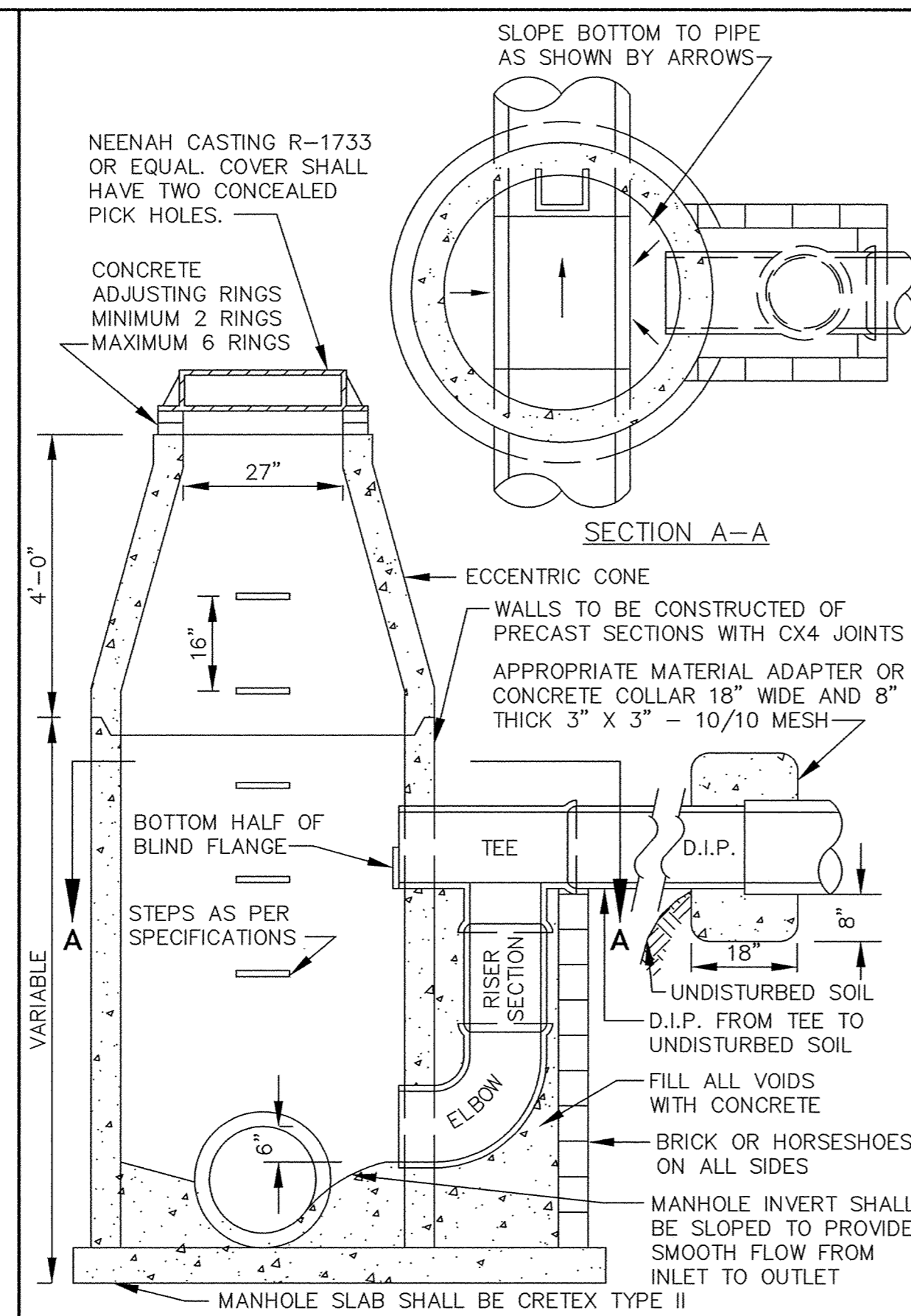
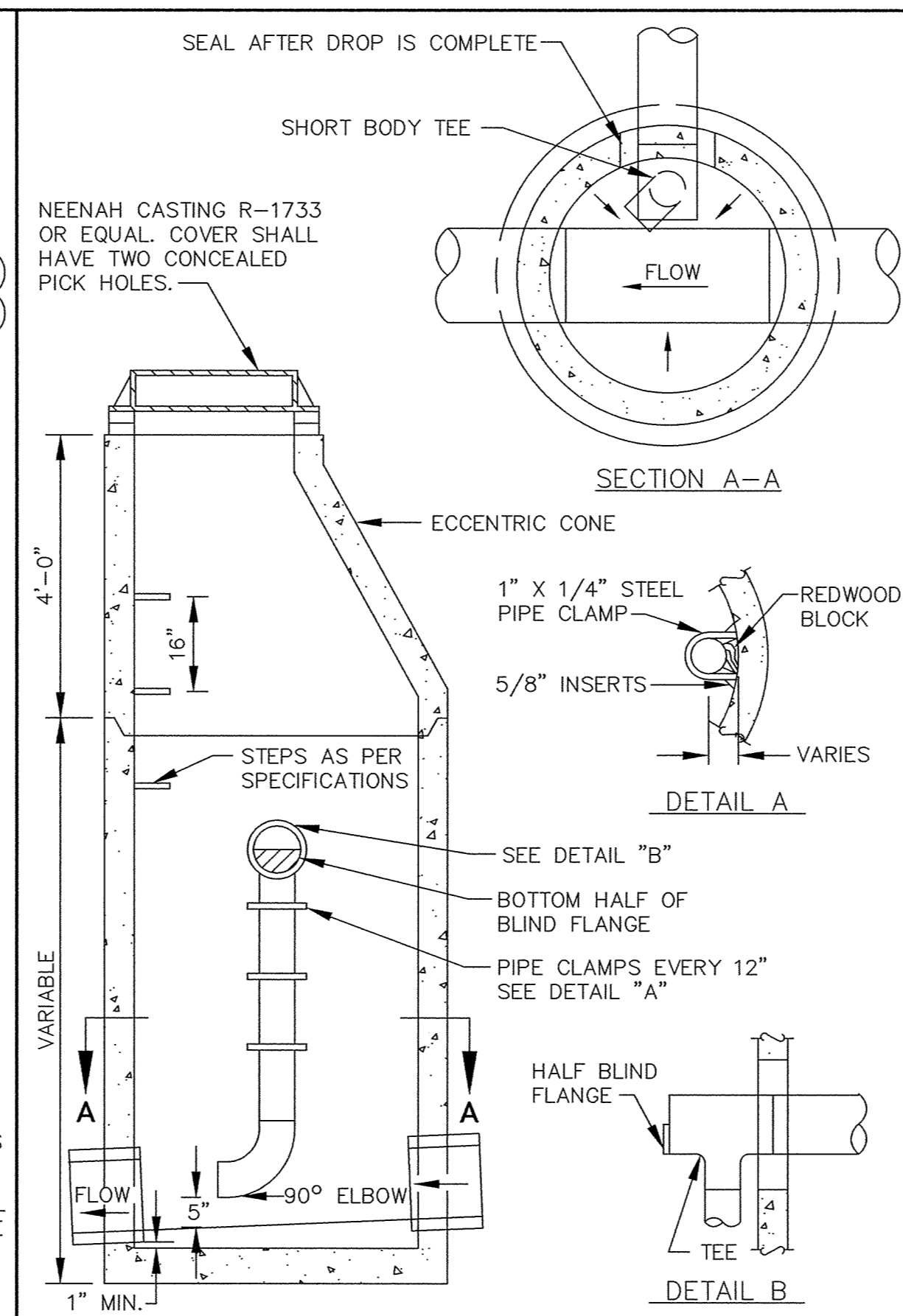


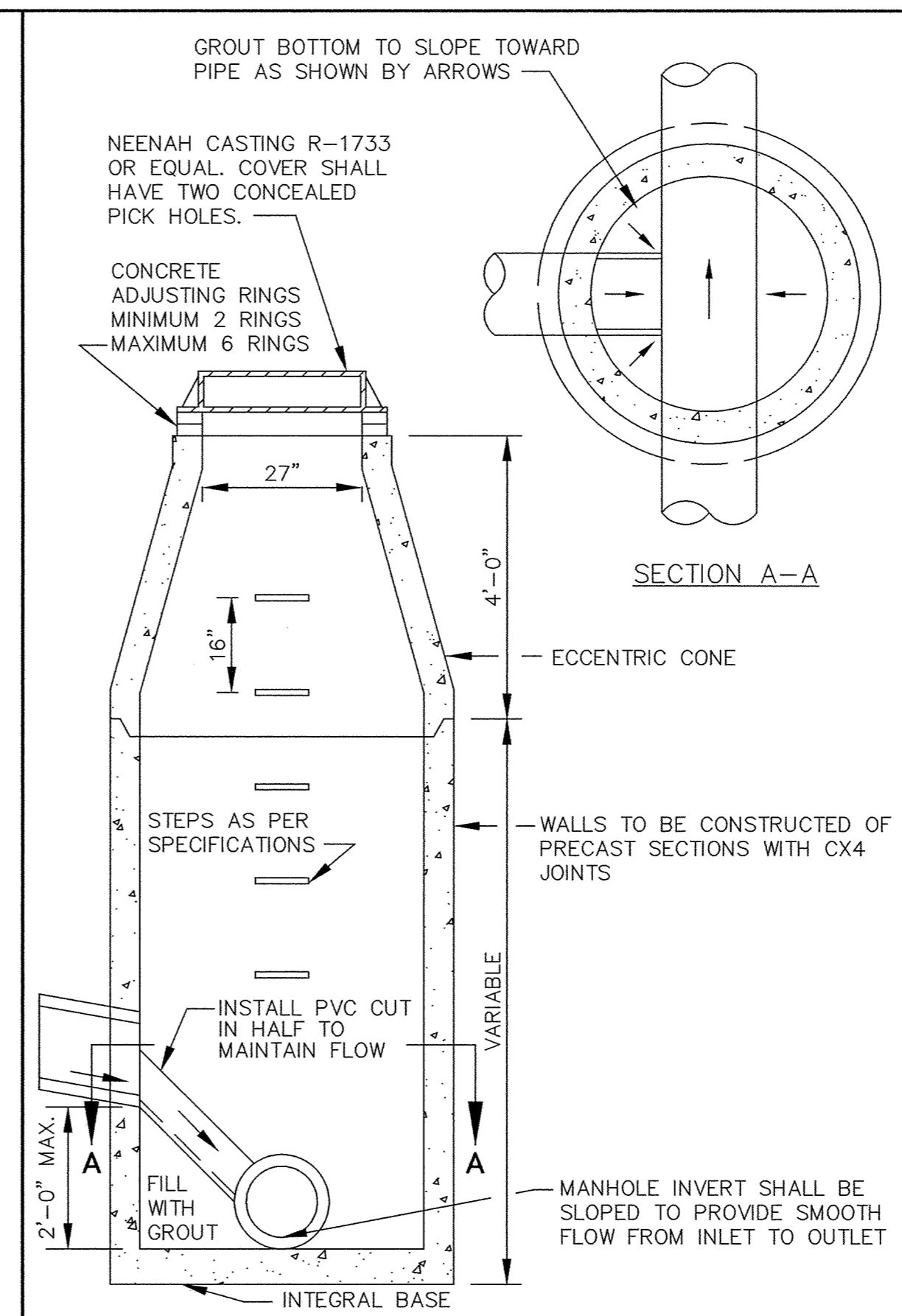
STANDARD AIR RELIEF MANHOLE



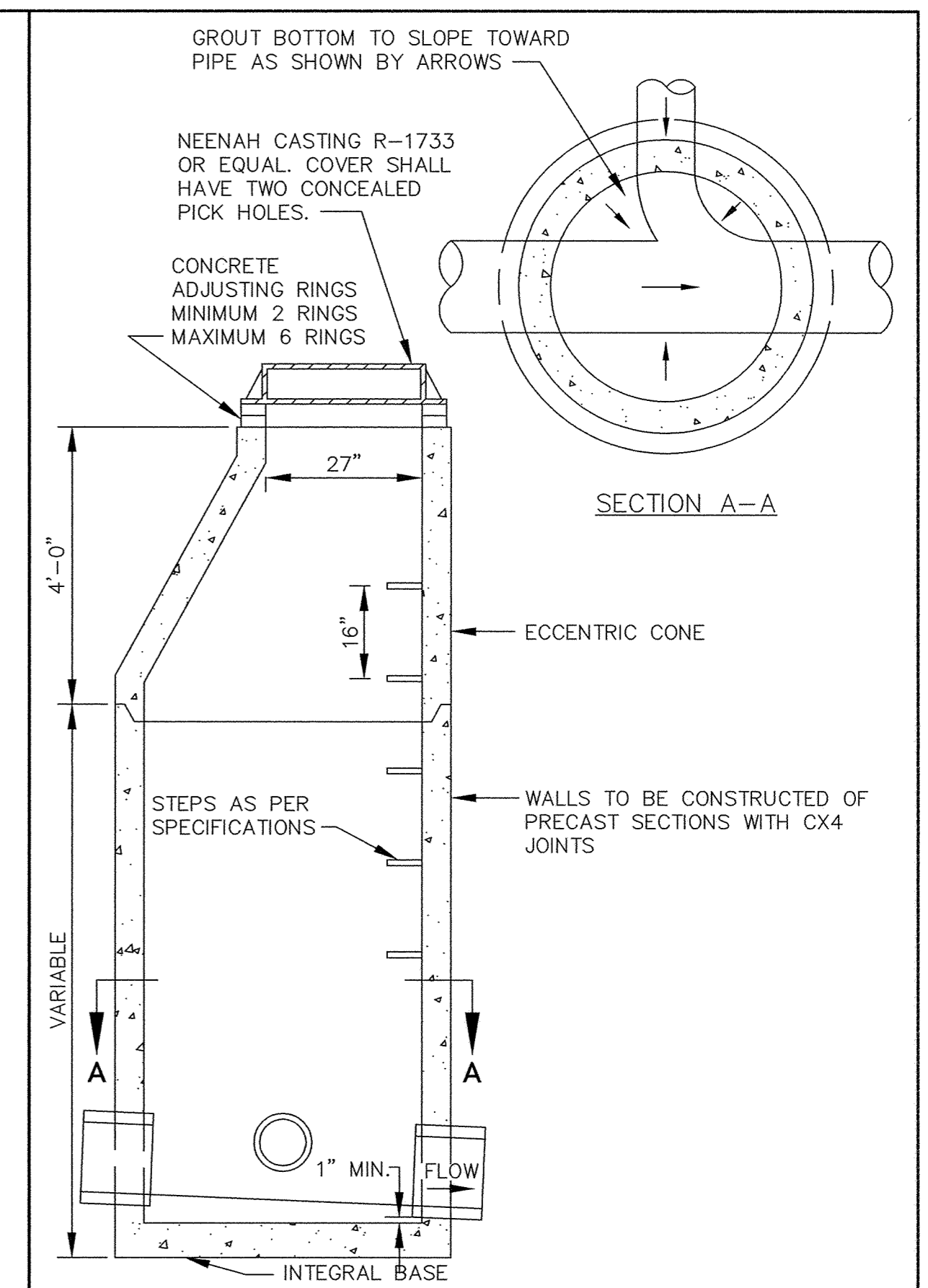
OUTSIDE DROP MANHOLE



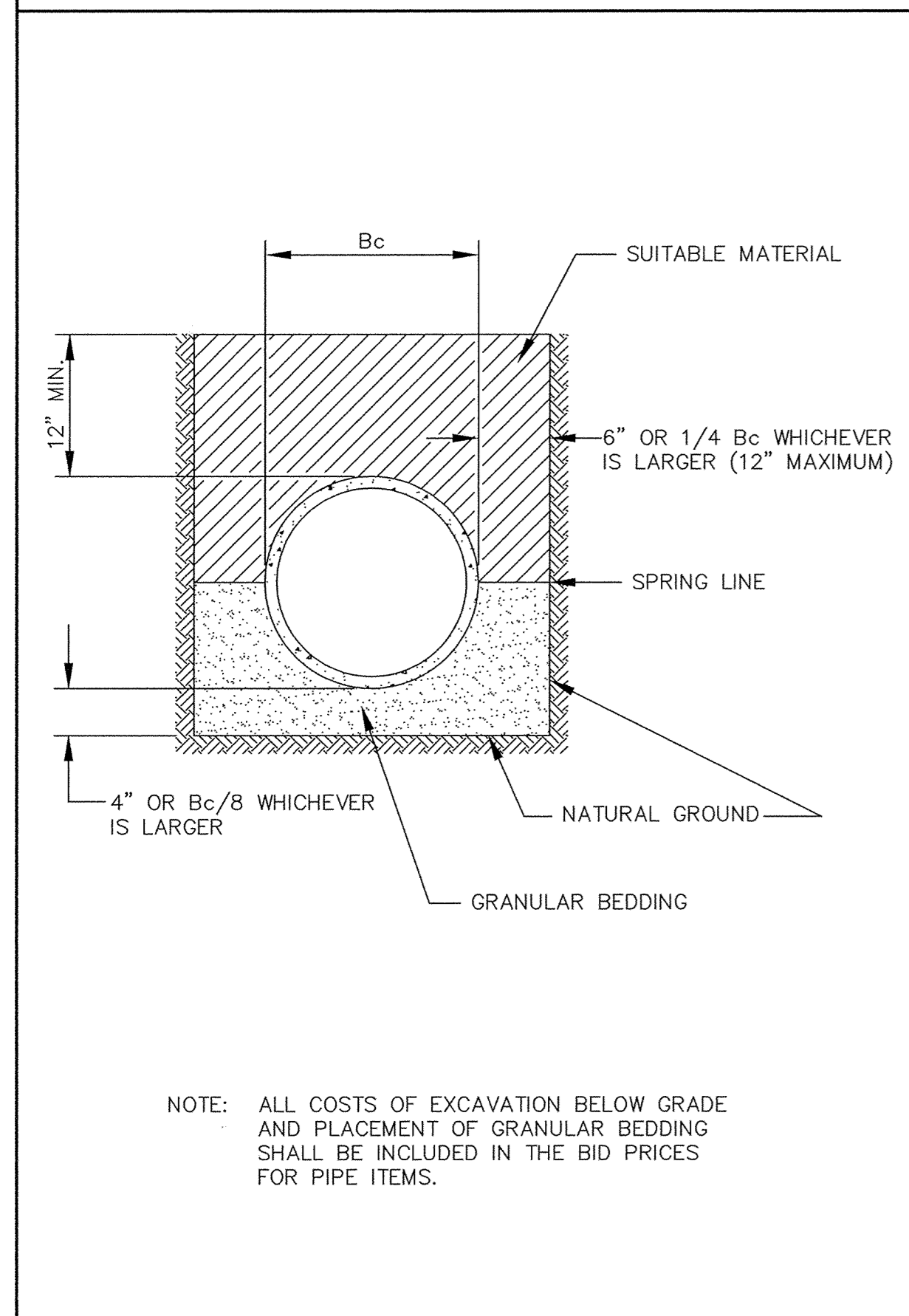
INSIDE DROP MANHOLE



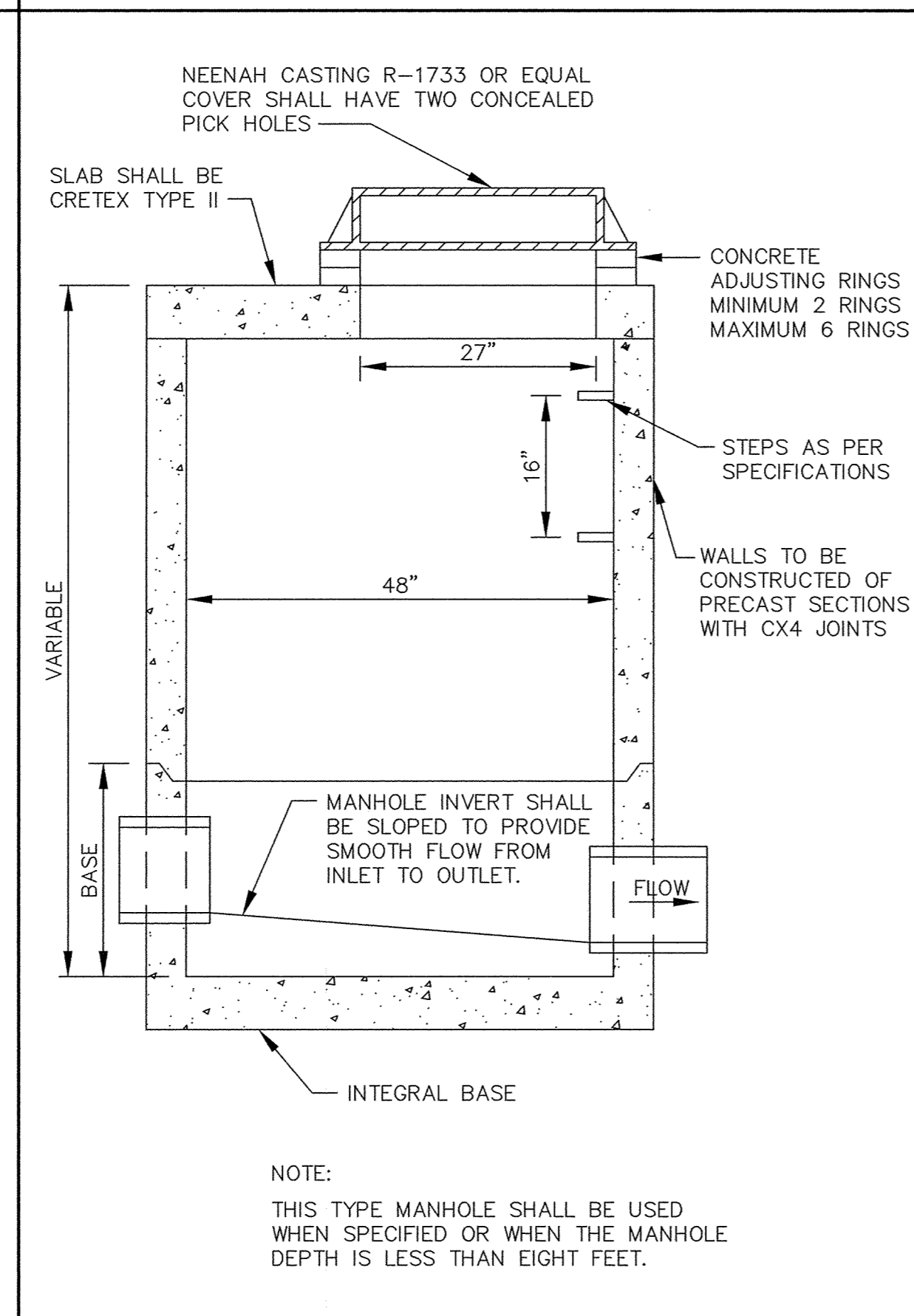
INSIDE DROP MANHOLE (TWO FEET OR LESS)



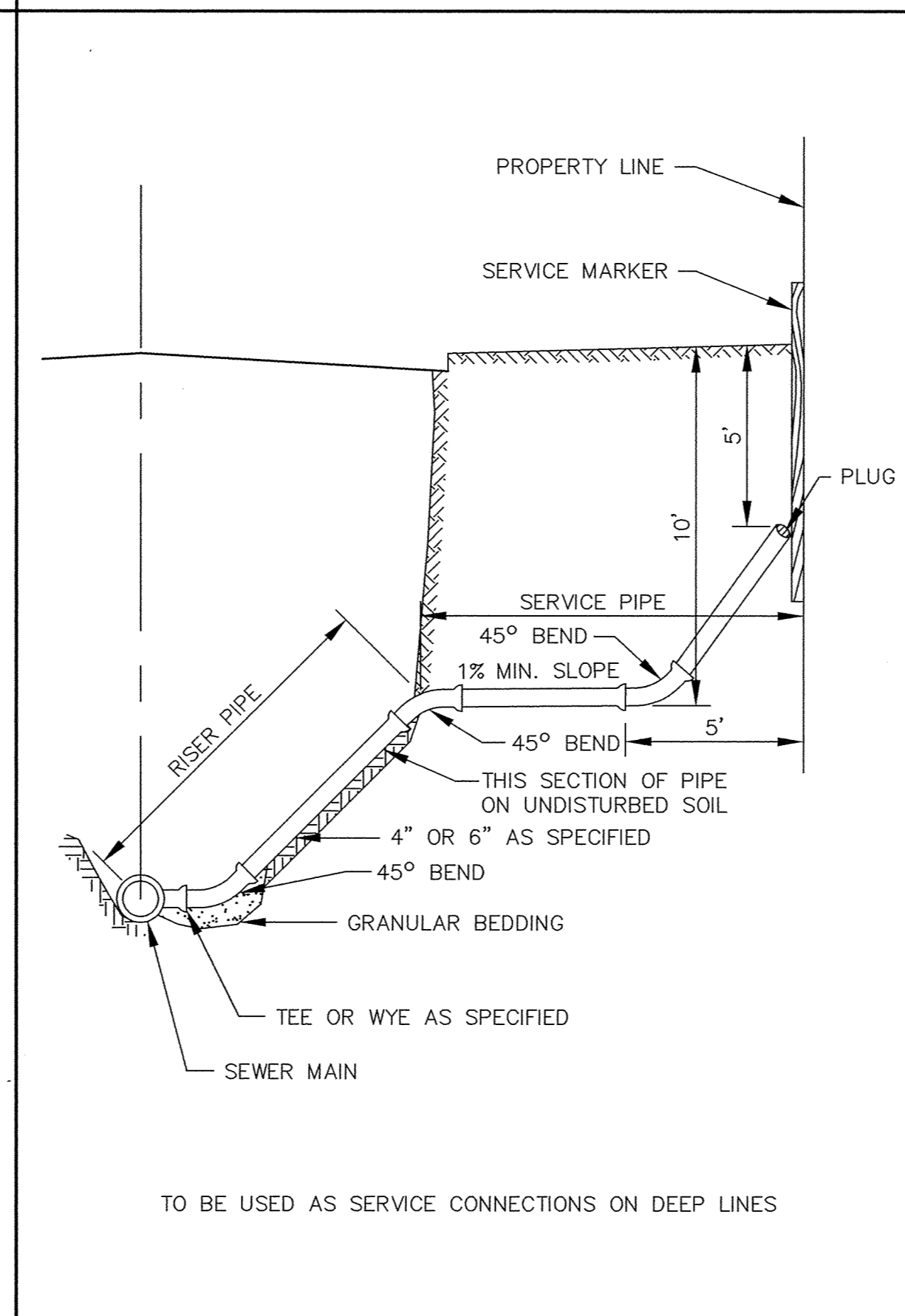
STANDARD MANHOLE



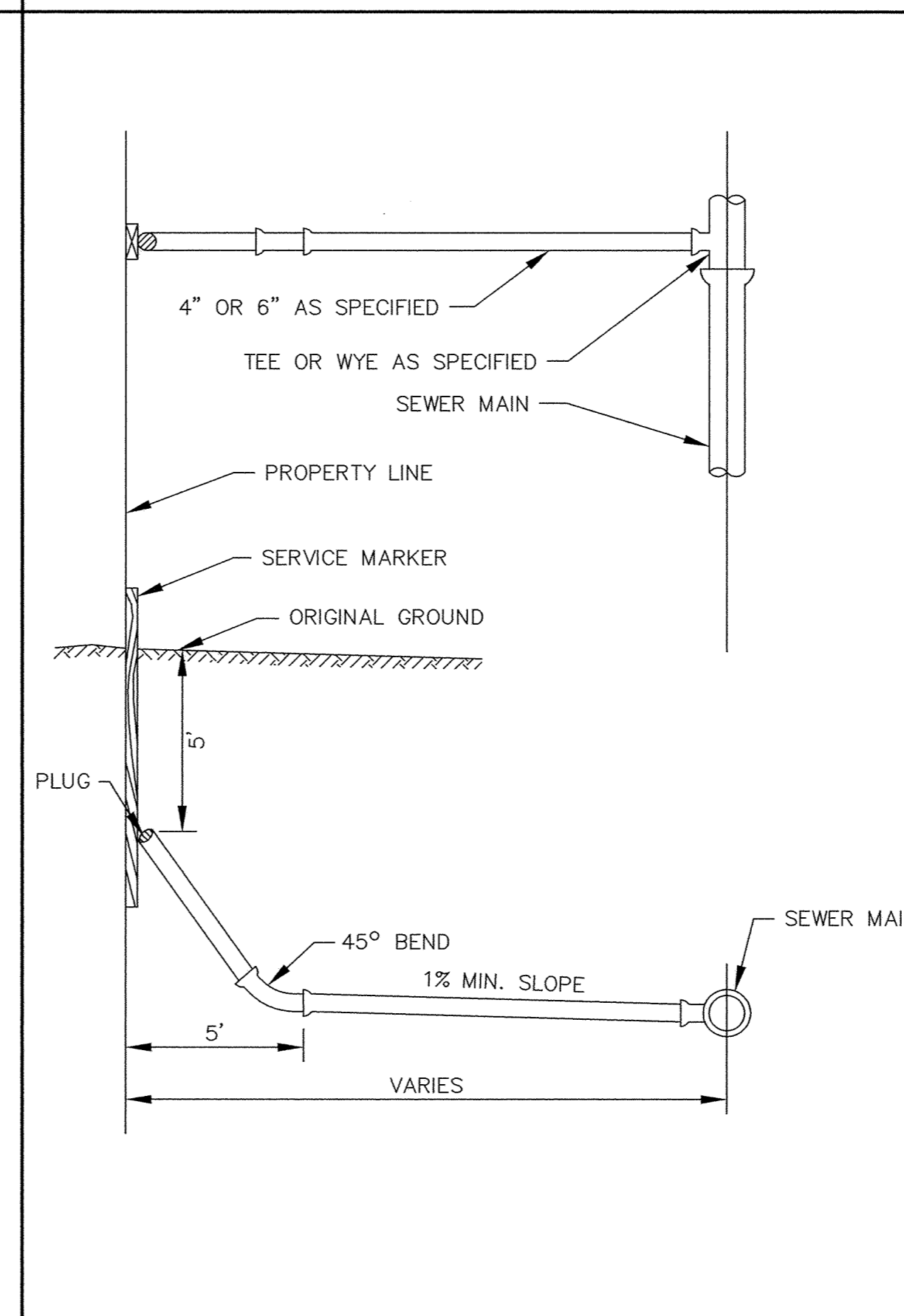
CLASS B PIPE BEDDING



SLAB TOP MANHOLE



SERVICE RISER SECTION



TYPICAL HOUSE SERVICE

RECORD PLAN
MARCH 1997

I HEREBY CERTIFY THAT THIS PLAN, SPECIFICATION, OR REPORT WAS PREPARED BY ME OR UNDER MY DIRECT SUPERVISION AND THAT I AM A DULY REGISTERED PROFESSIONAL ENGINEER UNDER THE LAWS OF THE STATE OF MINNESOTA.

DATE 5/23/94 REG. NO. 15316

MSA
CONSULTING ENGINEERS

1326 ENERGY PARK DRIVE
ST. PAUL, MINNESOTA 55108
(612) 644-4389

9800 SHELARD PARKWAY
MINNEAPOLIS, MINNESOTA 55441
(612) 546-0432

DATE	DESCRIPTION	DESIGNED
		CHECKED
		DRAWN
		GRAPHIC SCALE
		0 HORIZ. N/A
		0 VERT.

CITY OF ELK RIVER
INTERNAL UTILITIES
SANITARY SEWER DETAILS

DATE MAY 1994 SHEET 5 OF 6 SHEETS PROJECT NO. 230-218