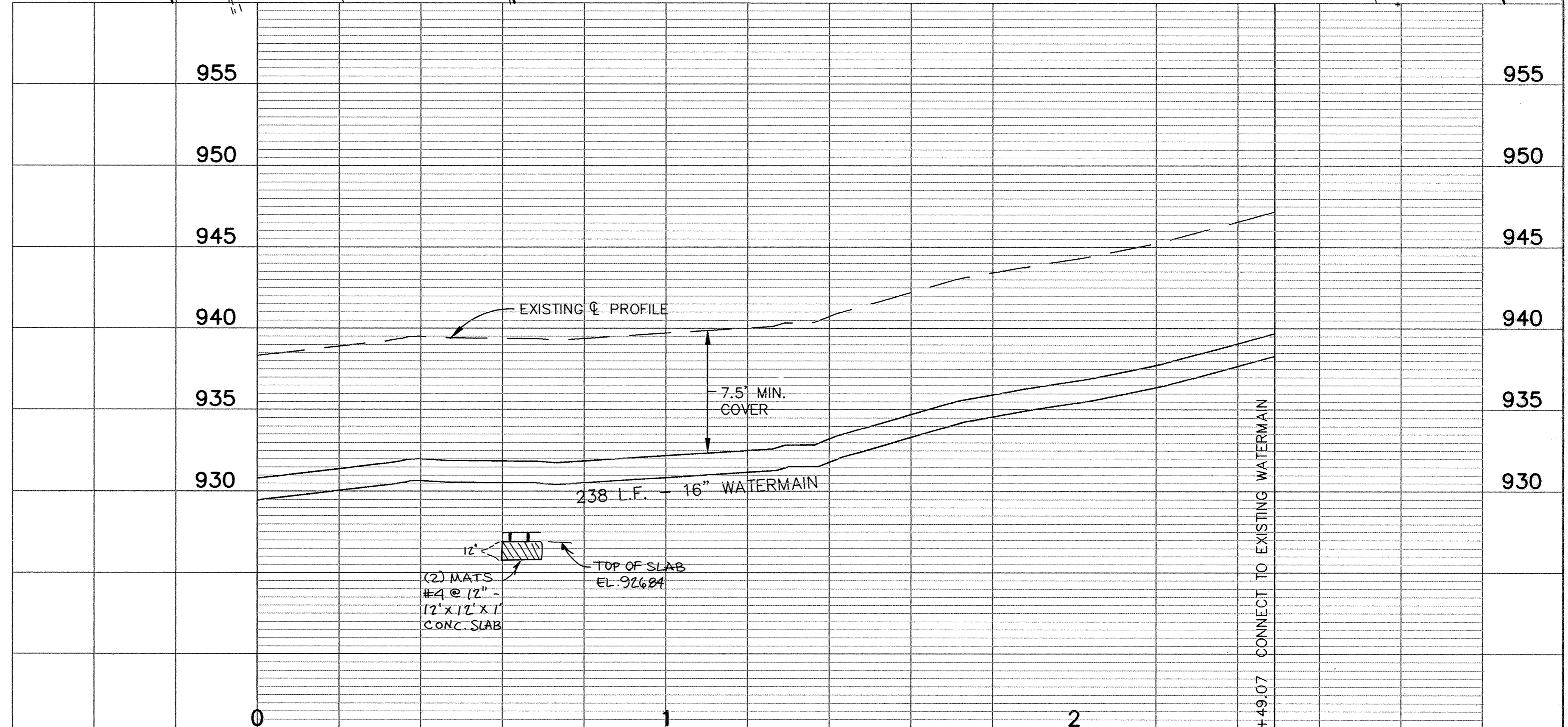
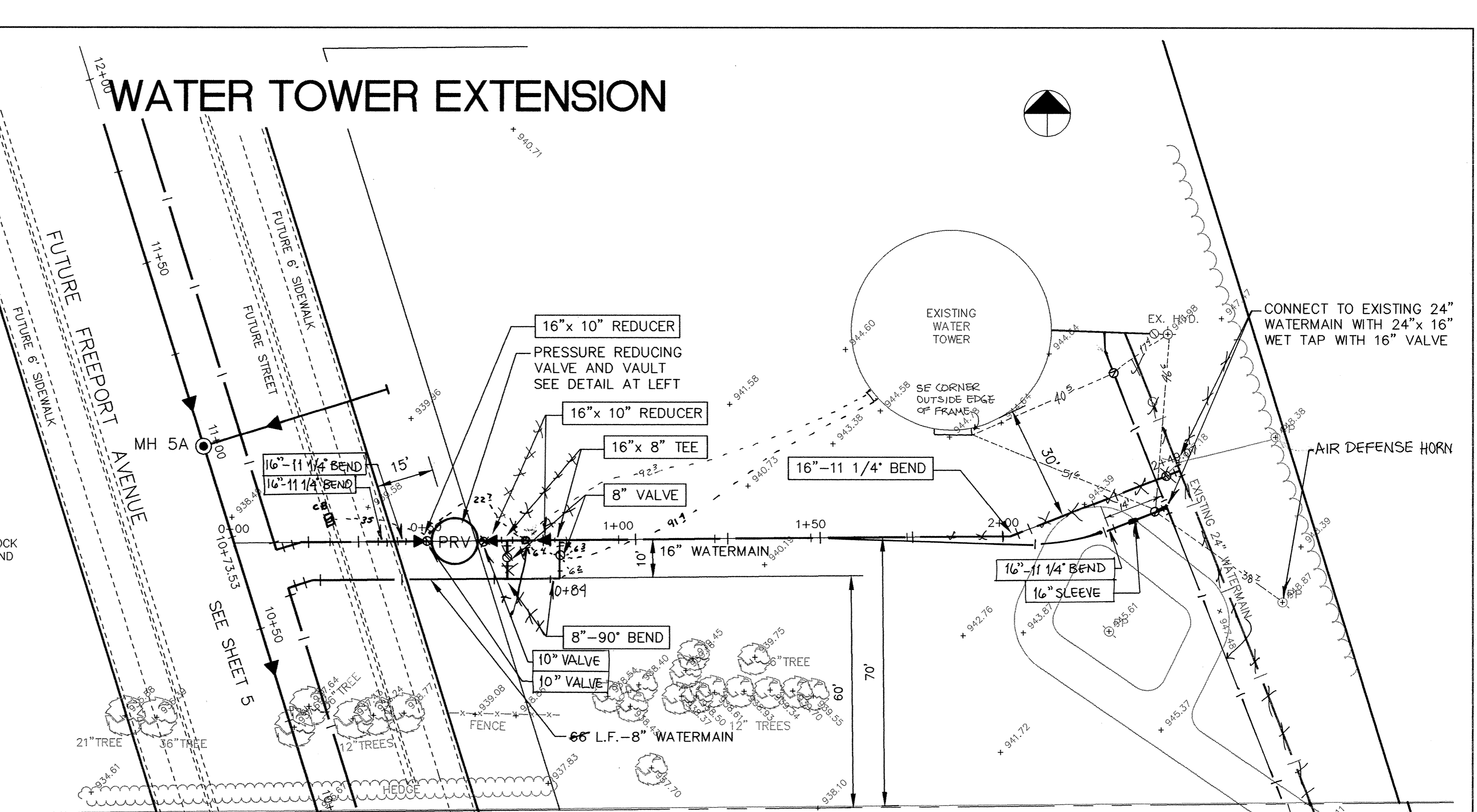
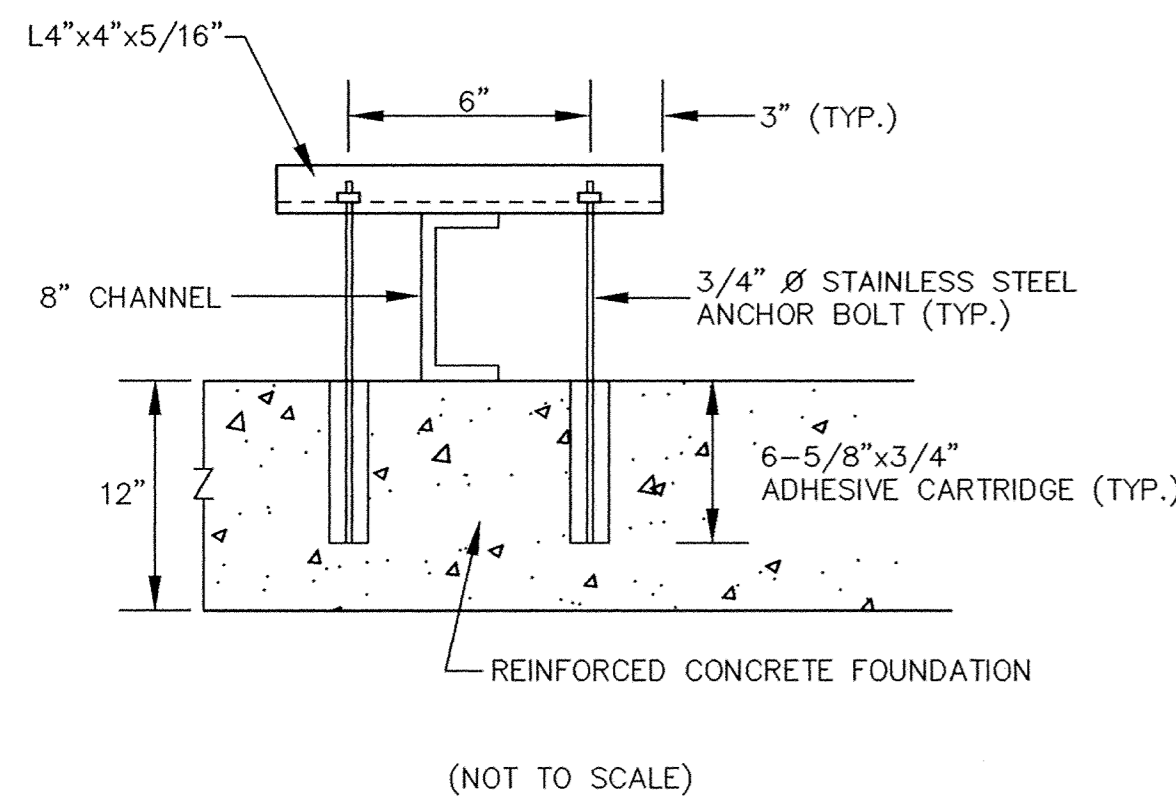
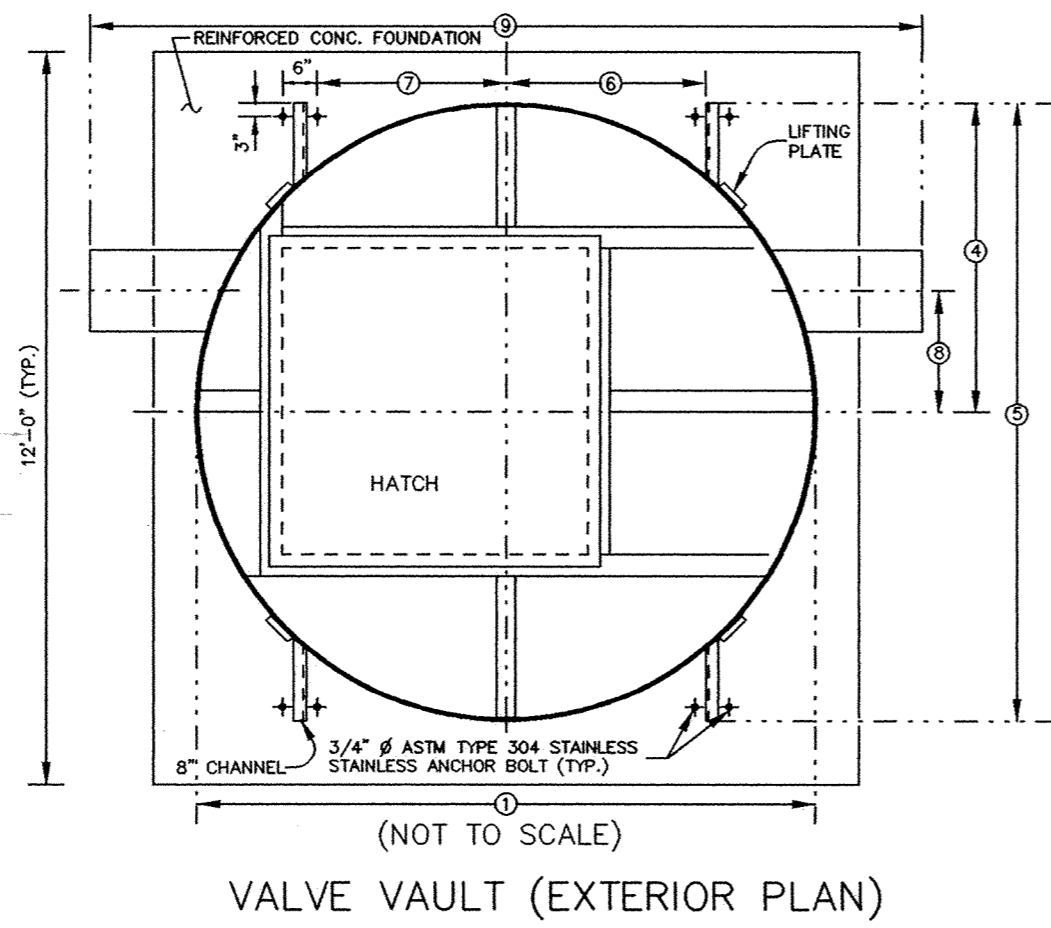
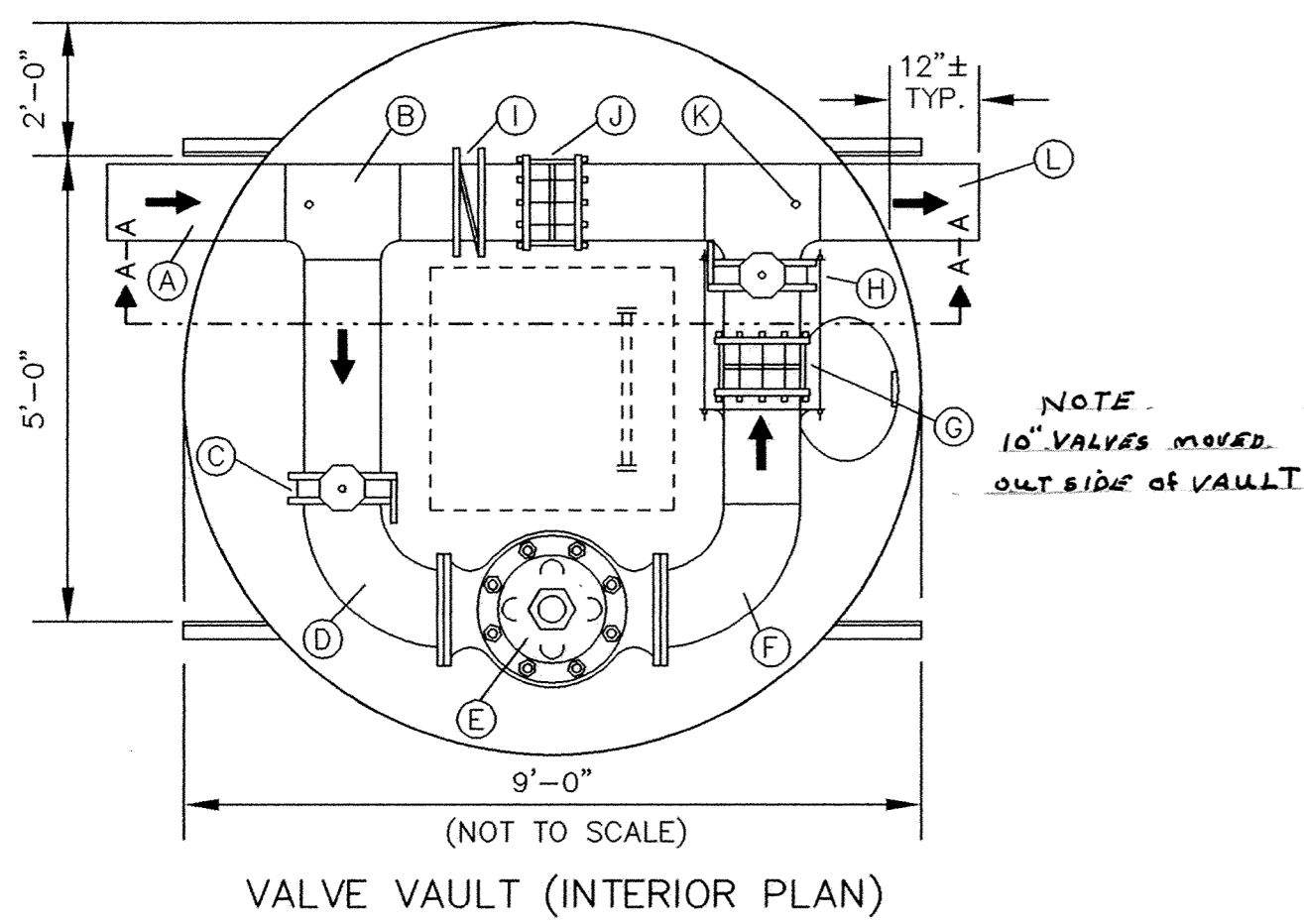
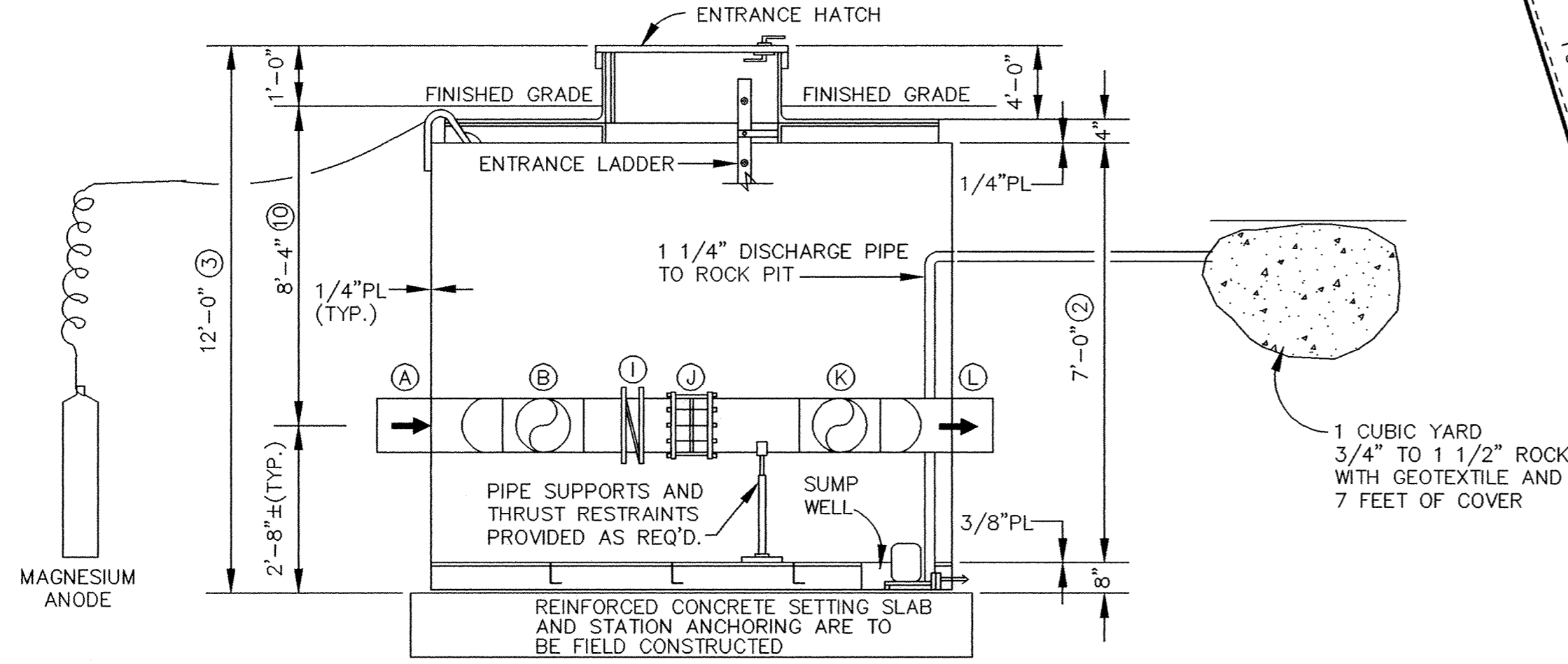


# WATER TOWER EXTENSION

- (A) 10" DIA. MAIN INLET
  - (B) 10" X 10" TEE
  - (C) 10" BUTTERFLY VALVE WITH HANDWHEEL
  - (D) 10" - 90° BEND
  - (E) 10" PRESSURE REDUCING VALVE
  - (F) 10" - 90° BEND
  - (G) 10" COUPLINGS
  - (H) 10" BUTTERFLY VALVE WITH HANDWHEEL
  - (I) 10" SWING CHECK VALVE
  - (J) 10" COUPLINGS
  - (K) 10" X 10" TEE
  - (L) 10" DIA. MAIN OUTLET
- (1) 9'-0" . . . VAULT DIAMETER
  - (2) 7'-0" . . . VAULT HEIGHT
  - (3) 12'-1" . . . TOTAL HEIGHT
  - (4) 3'-0" . . . C/V VAULT TO END OF SKID
  - (5) 9'-0" . . . TOTAL SKID LENGTH
  - (6) 2'-6" . . . C/V VAULT TO FACE OF SKID
  - (7) 2'-4" . . . C/V VAULT TO ANCHOR BOLT
  - (8) 2'-6" . . . C/V VAULT TO C/V 10" MAIN
  - (9) 11'-0" . . . TOTAL LAYING LENGTH
  - (10) 8'-4" . . . DEPTH OF BURY TO C/V OF MAIN



I HEREBY CERTIFY THAT THIS PLAN, SPECIFICATION, OR REPORT WAS PREPARED BY ME OR UNDER MY DIRECT SUPERVISION AND THAT I AM A DULY REGISTERED PROFESSIONAL ENGINEER UNDER THE LAWS OF THE STATE OF MINNESOTA.

*Paul Poethel*  
DATE 3-28-94 REG. NO. 13929



1326 ENERGY PARK DRIVE  
ST. PAUL, MINNESOTA 55108  
(612) 644-4389

9800 SHELDON PARKWAY  
MINNEAPOLIS, MINNESOTA 55441  
(612) 546-0432

DATE	DESCRIPTION	DESIGNED	CHECKED
		PER SDG	SDG
		DRAWN	CLS

GRAPHIC SCALE  
0 HORIZ. 20  
0 VERT. 5

CITY OF ELK RIVER  
TRUNK SANITARY AND WATERMAIN-ELK PARK CENTER  
FUTURE FREEPORT AVENUE STA. 0+00 TO 6+00

DATE MARCH 1994 SHEET 14 OF 17 SHEETS PROJECT NO. 230-215