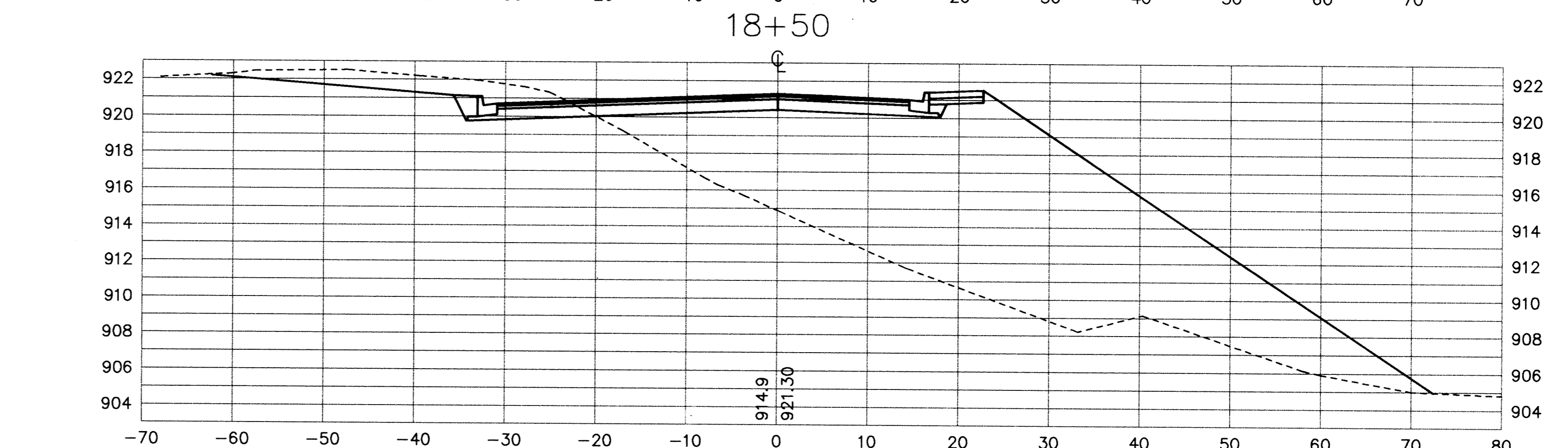
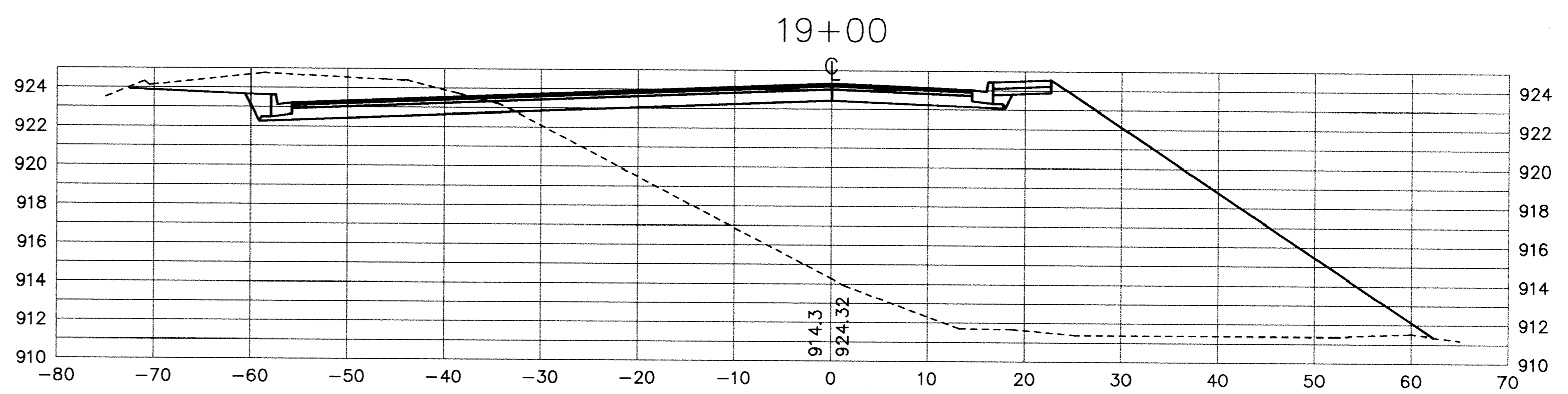
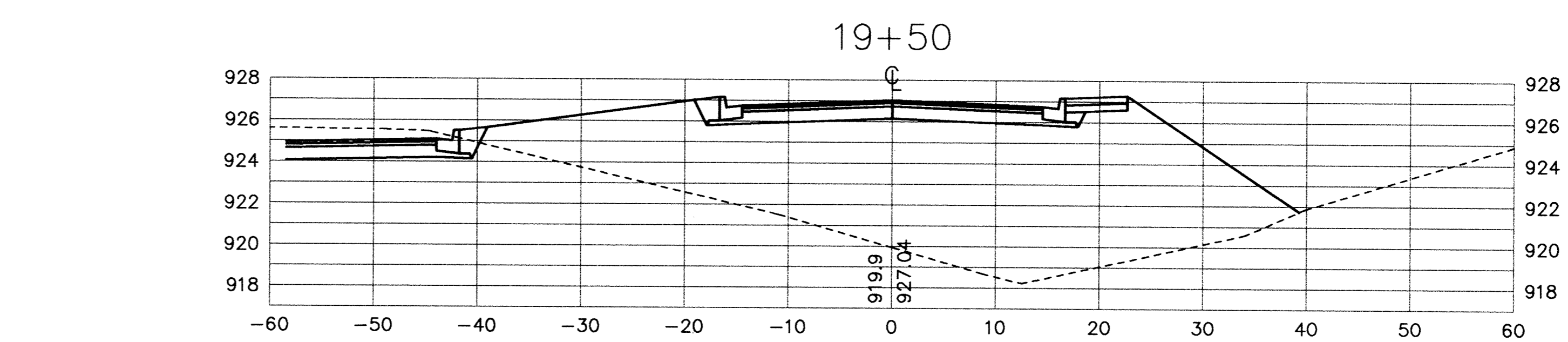
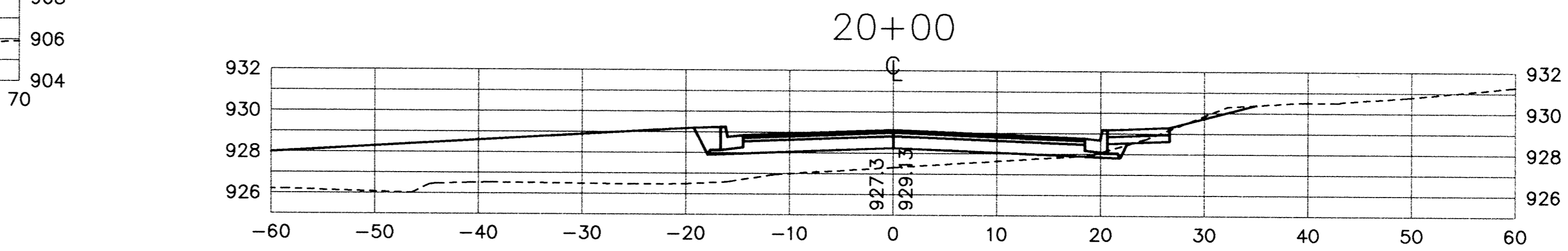
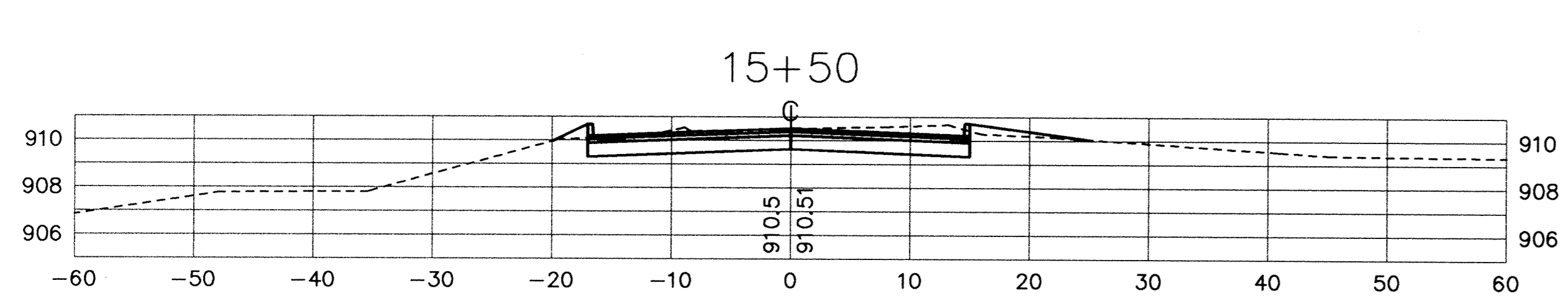
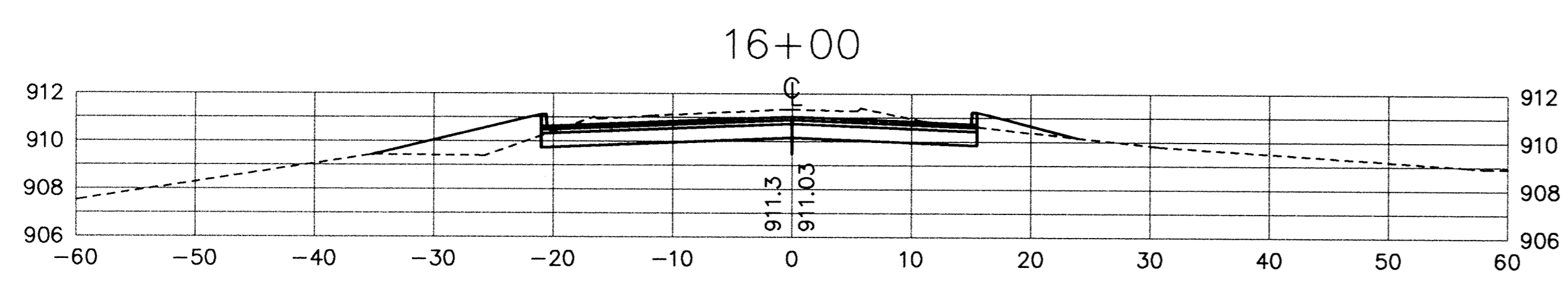
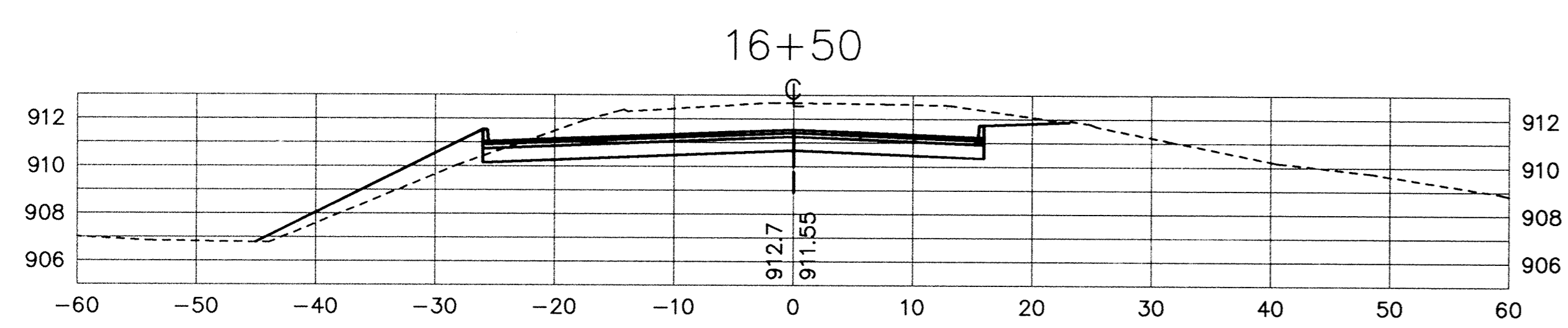
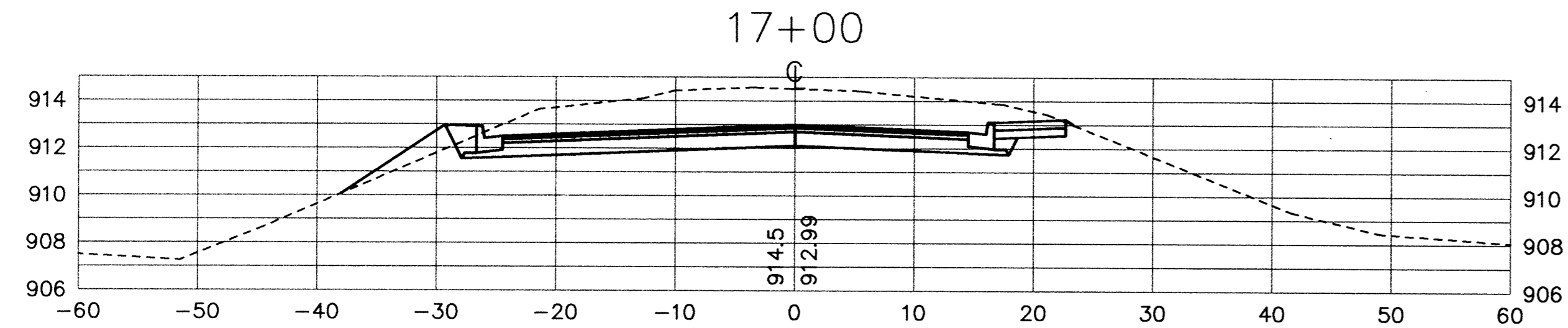
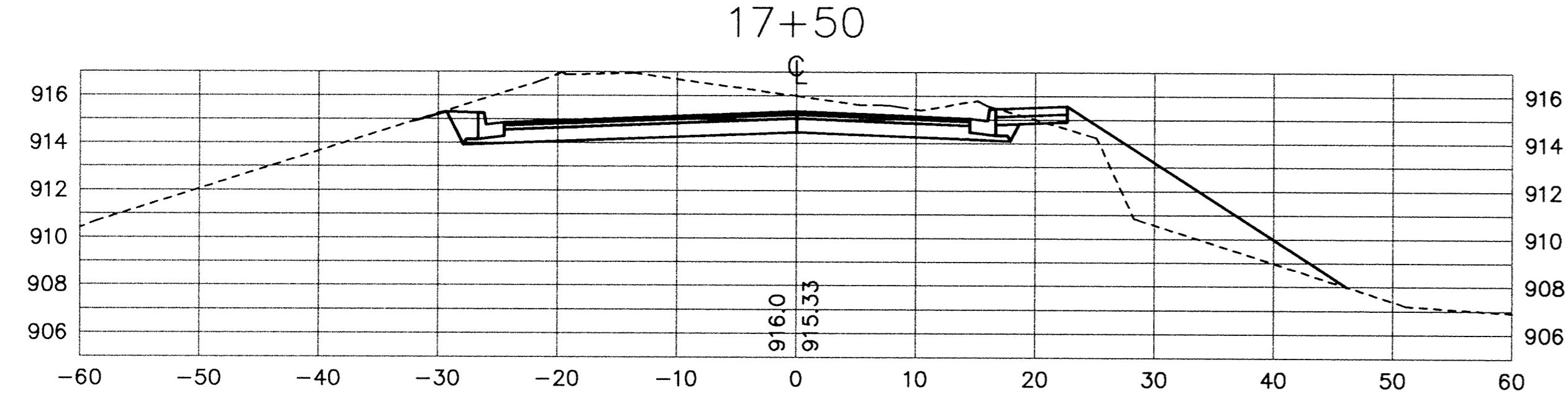
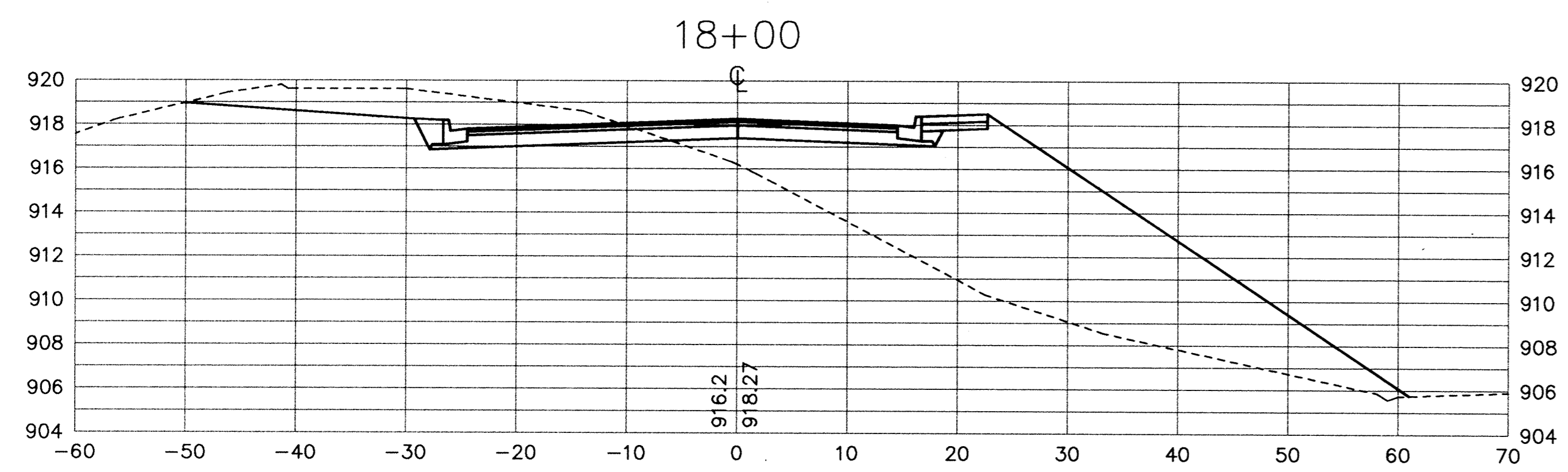


SAECO PRODUCTS • NEW HOPKINS, MINNESOTA  
REVISION BY PART NUMBER 6522  
SAECO PRODUCTS • NEW HOPKINS, MINNESOTA  
REVISION BY PART NUMBER 6522  
SAECO PRODUCTS • NEW HOPKINS, MINNESOTA  
REVISION BY PART NUMBER 6522  
SAECO PRODUCTS • NEW HOPKINS, MINNESOTA  
REVISION BY PART NUMBER 6522

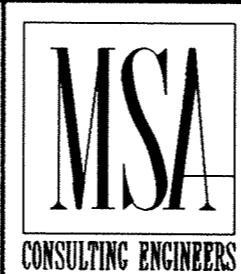


RECORD PLAN  
JANUARY 1996

CITY OF ELK RIVER  
ELK HILLS DRIVE/DODGE STREET IMPROVEMENTS  
DODGE AVENUE  
CROSS SECTIONS  
15+50 TO 20+00

DATE JULY 1995 SHEET 14 OF 22 SHEETS PROJECT NO. 230-246

I HEREBY CERTIFY THAT THIS PLAN, SPECIFICATION, OR REPORT WAS PREPARED BY ME OR UNDER MY DIRECT SUPERVISION AND THAT I AM A DULY REGISTERED PROFESSIONAL ENGINEER UNDER THE LAWS OF THE STATE OF MINNESOTA.  
*Cynthia J. Blandi*  
DATE 7/31/95 REG. NO. 24082



1326 ENERGY PARK DRIVE  
ST. PAUL, MINNESOTA 55108  
(612) 644-4389  
5075 WAYZATA BLVD. SUITE #225  
MINNEAPOLIS, MINNESOTA 55416  
(612) 546-0432

REVISIONS	DATE	DESCRIPTION	DESIGNED	CHECKED	DRAWN

GRAPHIC SCALE  
0 10  
0 VERT. 5