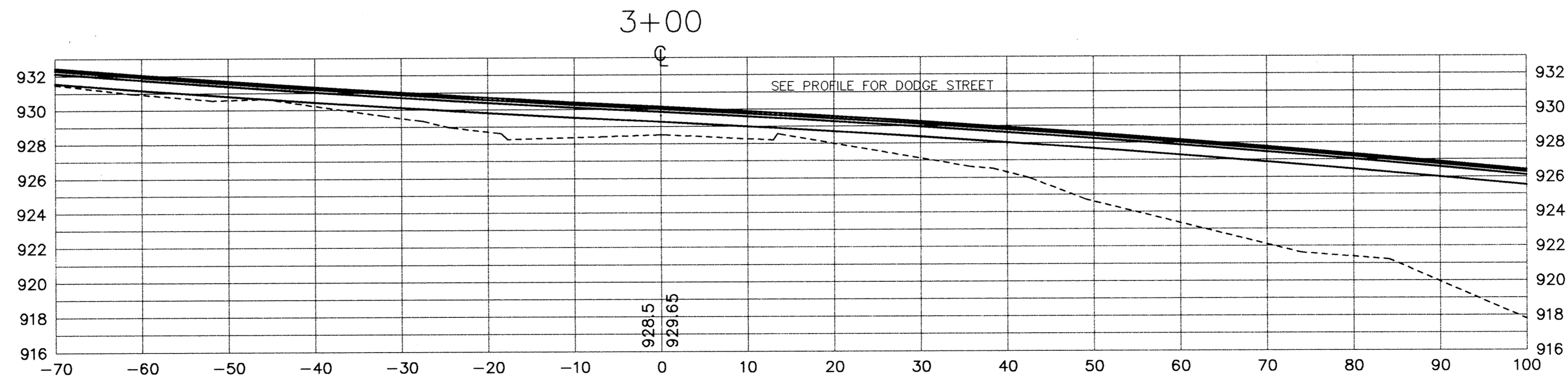
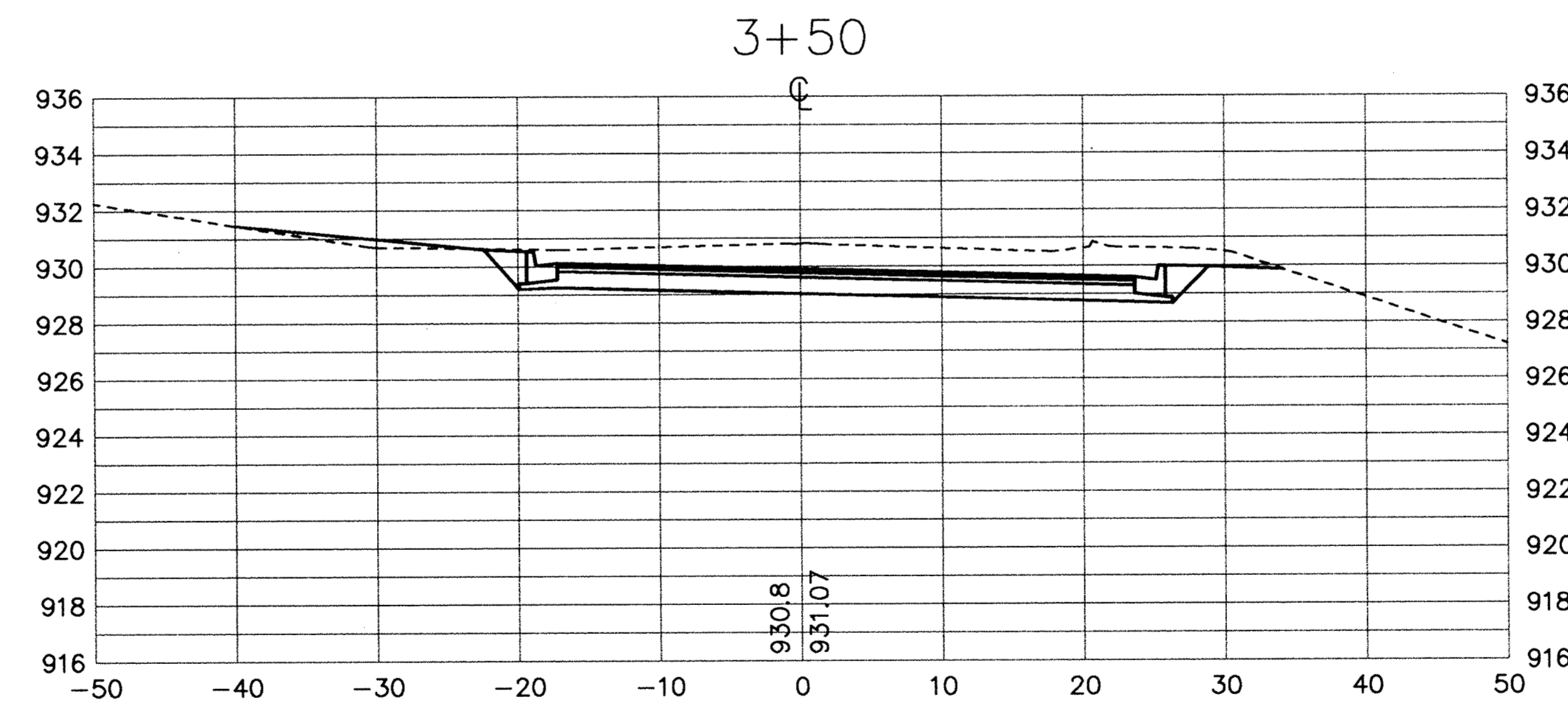
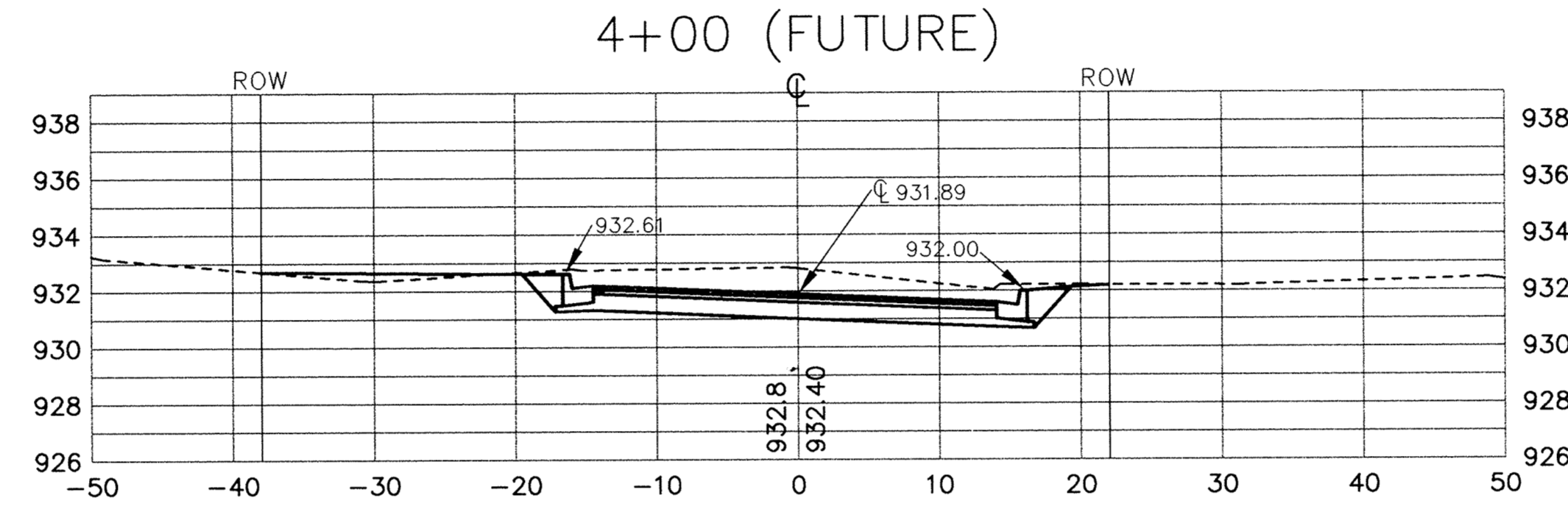
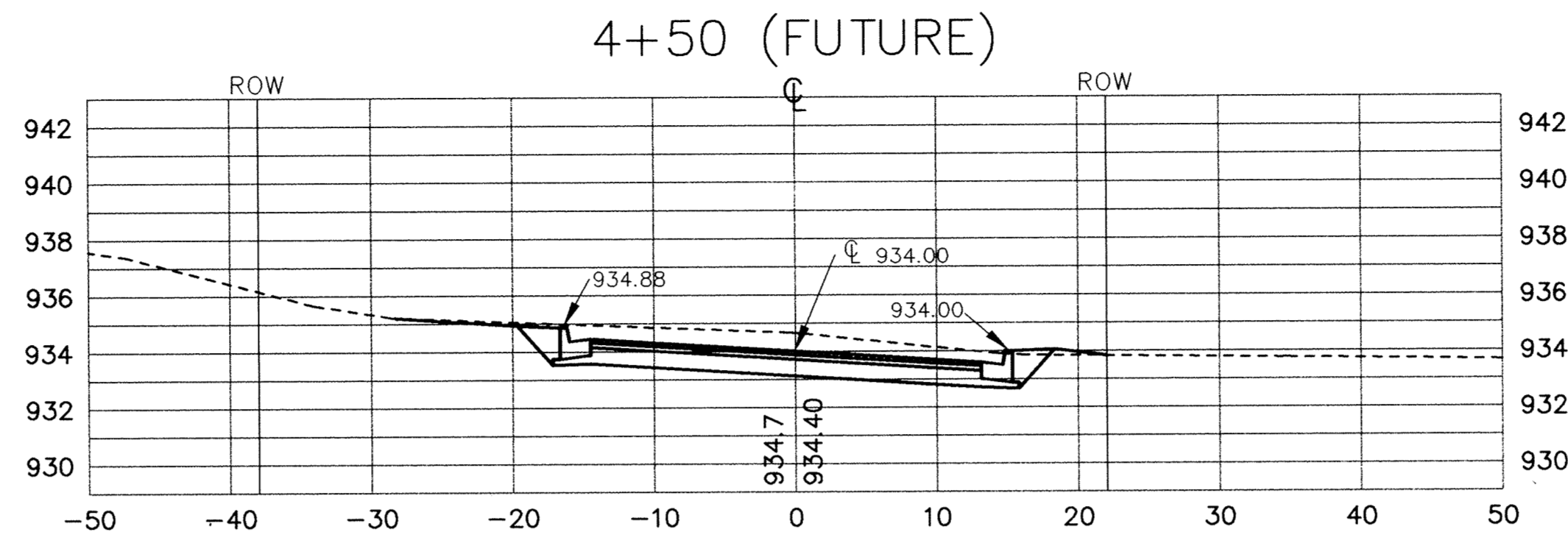


DODGE AVE./ST.
150' NORTH OF 8TH ST. TO 189TH AVE.

ELK HILLS DRIVE
T.H. 169 TO 500' EAST

STATION	AREAS Square Feet		VOLUMES Cubic Yards		CUMULATIVE VOLUMES Cubic Yards	
	CUT	FILL	CUT	FILL	CUT	FILL
16+50	95.80	9.90	84.62	10.38	84.62	10.38
16+75	86.97	12.51	89.84	8.82	174.45	19.20
17+00	104.93	4.90	99.88	8.56	274.33	27.76
17+25	106.79	13.12	94.73	18.87	369.06	46.62
17+50	92.27	29.46	77.93	69.44	446.98	116.06
17+75	68.95	123.67	62.70	180.94	509.68	297.00
18+00	56.99	266.58	39.21	334.92	548.90	631.92
18+25	18.81	444.24	31.50	464.60	580.40	1096.52
18+50	41.94	524.67	42.18	543.63	622.58	1640.14
18+75	39.29	616.56	31.37	593.53	653.95	2233.67
19+00	53.45	659.02	21.09	603.93	675.03	2837.60
19+25	0.00	597.25	0.00	477.75	675.03	3315.35
19+50	0.00	397.05	0.00	283.37	675.03	3598.72
19+75	0.00	198.86	1.33	106.49	676.37	3705.22
20+00	2.88	31.17	8.42	19.93	684.79	3725.15
20+25	15.31	11.88	7.09	5.50	691.88	3730.65
20+50	0.00	0.00	9.77	13.70	701.65	3744.35
20+75	21.11	29.59	36.87	24.40	738.52	3768.75
21+00	58.54	23.12	59.88	21.12	798.41	3789.88
21+25	70.01	17.70	74.24	14.15	872.65	3804.02
21+50	89.48	9.67	86.24	6.58	958.89	3810.60
21+75	96.82	3.07	87.62	2.46	1046.51	3813.06
22+00	91.75	1.69	78.14	1.30	1124.65	3814.35
22+25	75.77	0.83	61.77	0.95	1186.42	3815.30
22+50	58.30	1.47	46.79	2.32	1233.22	3817.62
22+75	43.04	4.23	22.36	2.33	1255.57	3819.95
22+90	37.36	5.31	12.68	1.64	1268.25	3821.59
23+00	30.63	4.81	9.84	1.64	1278.10	3823.23
23+10	22.43	5.33	11.94	2.88	1290.04	3826.11
23+25	18.34	6.35	14.16	8.38	1304.20	3834.49
23+50	12.25	11.75	27.92	8.29	1332.12	3842.78
23+75	48.06	6.16	55.52	3.13	1387.65	3845.92
24+00	71.88	0.61	50.46	1.12	1438.11	3847.04
24+25	37.11	1.82	45.80	2.15	1483.90	3849.19
24+50	61.81	2.82	46.23	1.61	1530.13	3850.80
24+75	38.64	0.52	13.79	0.17	1543.92	3850.97
24+85	35.61	0.38	18.41	0.17	1562.32	3851.15
25+00	30.23	0.22	5.37	0.03	1567.69	3851.17
25+05	27.24	0.08	16.76	0.62	1584.45	3851.79
25+25	17.88	1.60	14.96	3.89	1599.41	3855.68
25+50	14.59	6.51	15.61	5.49	1615.02	3861.17
25+75	19.33	4.90	12.26	2.33	1627.29	3863.49
25+90	25.09	3.16	9.80	1.52	1637.09	3865.02
26+00	28.22	4.74	30.66	2.97	1667.75	3867.99
26+25	38.01	1.67	29.68	1.22	1697.43	3869.21
26+45	42.11	1.63	7.73	0.37	1705.15	3869.58
26+50	41.33	2.35	25.57	0.97	1730.73	3870.55
26+65	50.74	1.16	19.84	0.36	1750.57	3870.91
26+75	55.87	0.87	42.21	1.22	1792.78	3872.14
27+00	35.22	1.87	29.33	2.02	1822.10	3874.15
27+25	28.16	2.62	26.91	3.09	1849.01	3877.25
27+50	29.87	4.24	27.38	5.18	1876.39	3882.43
27+75	29.14	7.27	25.98	7.59	1902.37	3890.02
27+95	40.06	13.75	8.55	2.82	1910.92	3892.84
28+00	48.81	17.30	36.69	9.54	1947.61	3902.38
28+20	46.46	8.91	8.70	1.37	1956.32	3903.75
28+25	45.61	6.19	36.98	7.85	1993.30	3911.60
28+50	33.63	11.25	0.00	0.00	1993.30	3911.60

STATION	AREAS Square Feet		VOLUMES Cubic Yards		CUMULATIVE VOLUMES Cubic Yards	
	CUT	FILL	CUT	FILL	CUT	FILL
0+00	0.00	0.00	122.52	136.15	122.52	136.15
0+50	132.33	147.04	243.67	156.49	366.20	292.64
1+00	130.84	21.97	239.32	31.01	605.52	323.65
1+50	122.94	13.82	179.46	16.24	784.98	339.88
2+00	70.07	3.83	83.95	18.32	868.94	358.20
2+50	21.67	15.67	20.54	14.77	889.48	372.97
3+00	0.00	0.00	31.45	1.70	920.93	374.67
3+50	34.31	1.85	69.41	2.46	990.34	377.13
3+75	40.66	0.81	37	0	1027	377



RECORD PLAN
JANUARY 1996

I HEREBY CERTIFY THAT THIS PLAN, SPECIFICATION, OR REPORT WAS PREPARED BY ME OR UNDER MY DIRECT SUPERVISION AND THAT I AM A DULY REGISTERED PROFESSIONAL ENGINEER UNDER THE LAWS OF THE STATE OF MINNESOTA. <i>Cynthia Blameli</i> DATE 7/31/95 REG. NO. 24082		1326 ENERGY PARK DRIVE ST. PAUL, MINNESOTA 55108 (612) 644-4389		5075 WAYZATA BLVD. SUITE #225 MINNEAPOLIS, MINNESOTA 55416 (612) 546-0432	
		DATE: JULY 1995	SHEET 13 OF 22 SHEETS	PROJECT NO. 230-246	DESIGNED: JL CHECKED: 7/30 DRAWN: JL GRAPHIC SCALE: 1" = 10' VERT. SCALE: 1" = 5'

804 378

DRAWING NUMBER
 ELKH 95
 13
 DRAWING NUMBER