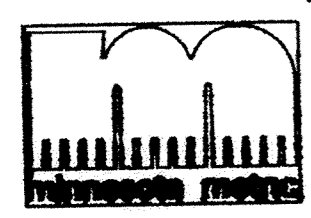
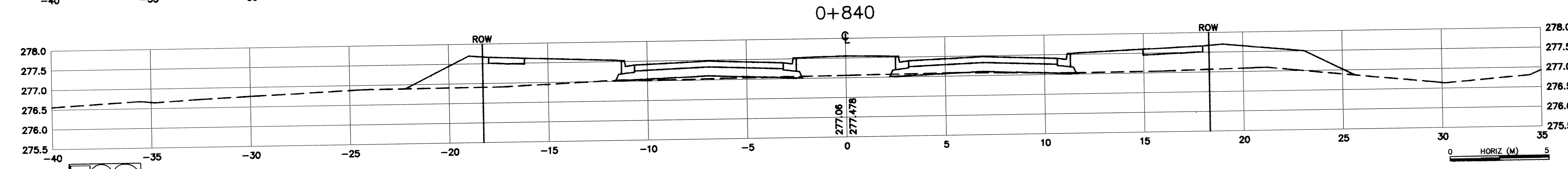
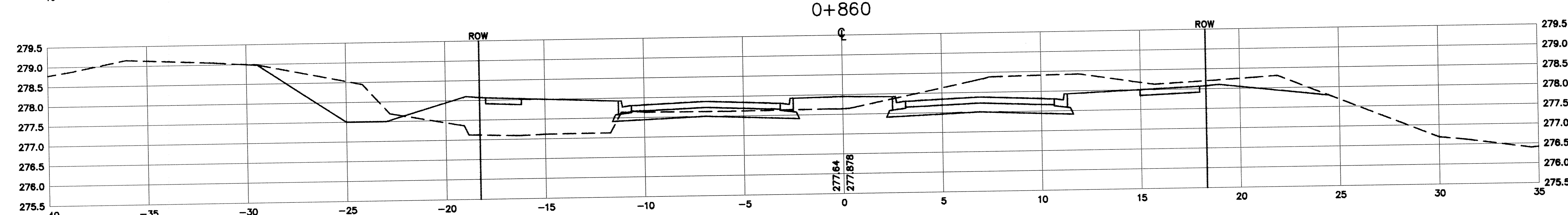
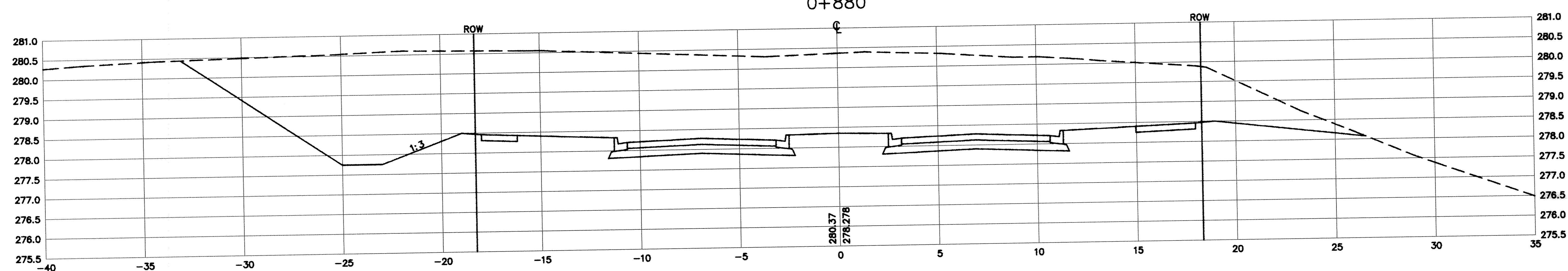
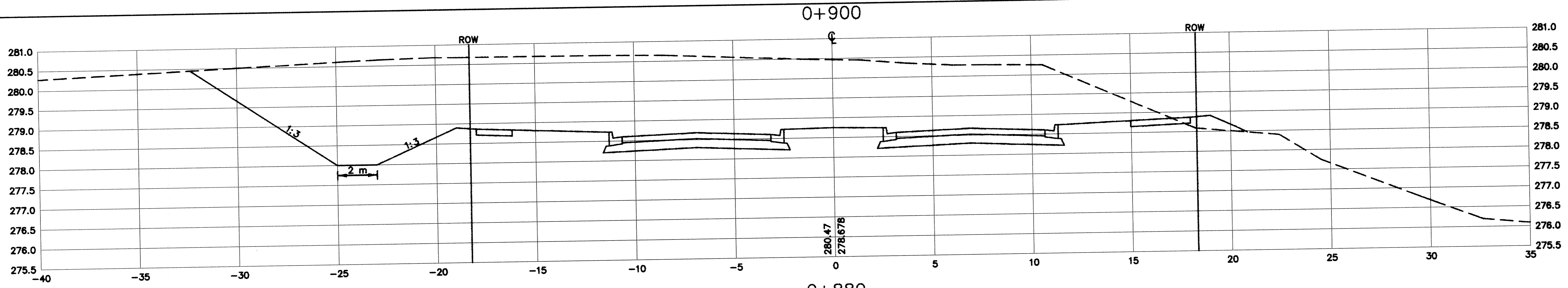


SDPC PRODUCTS • NEW HAVEN, MINNESOTA
REPORT NUMBER 8888
SDPC PRODUCTS • NEW HAVEN, MINNESOTA
REPORT NUMBER 8888
SDPC PRODUCTS • NEW HAVEN, MINNESOTA
REPORT NUMBER 8888



DESIGNED BY: AB DRAWN BY: [Signature]
 APPROVED: [Signature] JOB NUMBER 800110J
 CAD DATE: January 06, 2003 8:50:32 a.m.
 CAD FILE: 800110T\Asbuilts\N_SEGMENT_X15.DWG (JLALLEN)

I HEREBY CERTIFY THAT THIS PLAN, SPECIFICATION, OR REPORT WAS PREPARED BY ME OR UNDER MY DIRECT SUPERVISION AND THAT I AM A DULY REGISTERED PROFESSIONAL ENGINEER UNDER THE LAWS OF THE STATE OF MINNESOTA.
 DATE _____ REG. NO. 15316

NO.	DATE	BY	REVISION DESCRIPTION

Howard R. Green Company
 CONSULTING ENGINEERS

1326 ENERGY PARK DRIVE
 ST. PAUL, MINNESOTA 55108
 (651) 844-4399

CITY OF ELK RIVER
 EASTERN AREA
 TYLER STREET IMPROVEMENTS

STREET AND STORM SEWER IMPROVEMENTS
 CROSS SECTIONS - NORTH TYLER STREET
 SP 71-613-08, SP 204-020-03, SP 204-133-01, SP 204-132-03
 0+840 TO 0+900

SHEET NO.
C1-47X