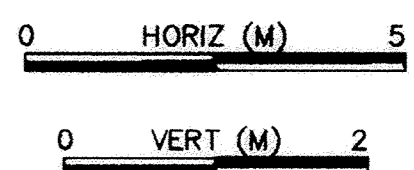
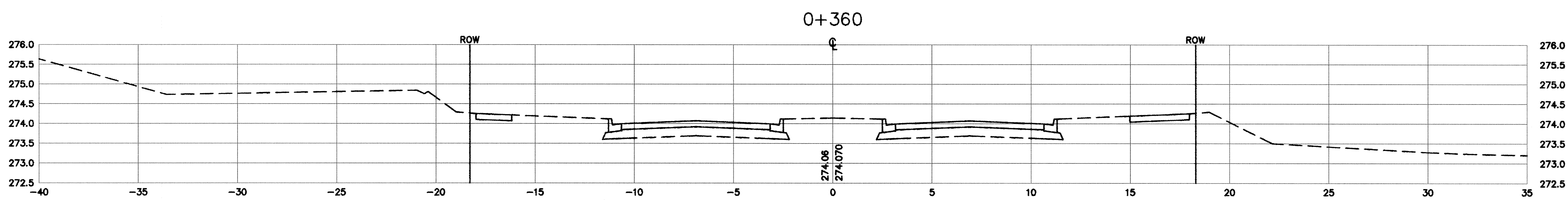
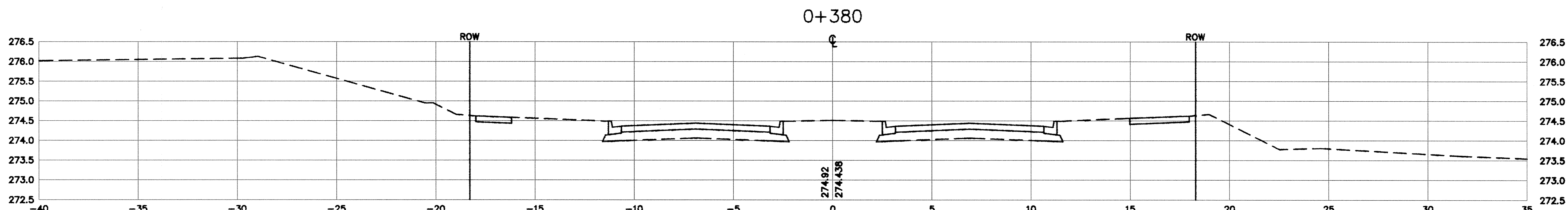
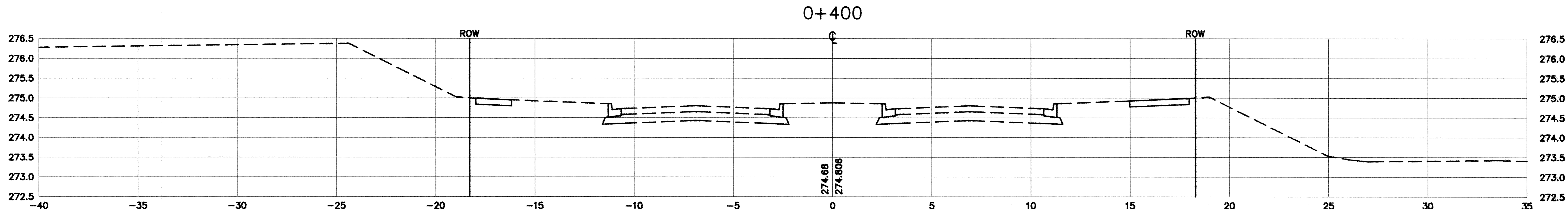
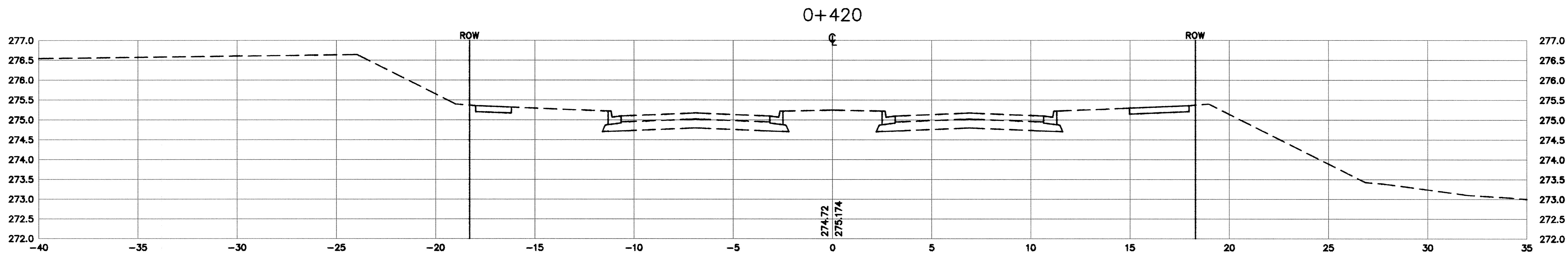


SDPC PRODUCTS • NEW HARBOR, MINNESOTA
DESIGNED BY PAUL HANSEN, DISE
REGISTERED PROFESSIONAL ENGINEER UNDER THE LAWS OF THE STATE OF MINNESOTA



DESIGNED BY: AB DRAWN BY: *[Signature]*
 APPROVED: --- JOB NUMBER 800110J
 CAD DATE: March 18, 1999 11:37:56 a.m.
 CAD FILE: 800110T\N_SEGMENT_X05.DWG

I HEREBY CERTIFY THAT THIS PLAN, SPECIFICATION,
 OR REPORT WAS PREPARED BY ME OR UNDER MY DIRECT
 SUPERVISION AND THAT I AM A DULY REGISTERED
 PROFESSIONAL ENGINEER UNDER THE LAWS OF THE
 STATE OF MINNESOTA.
 DATE _____ REG. NO. 15316

NO.	DATE	BY	REVISION DESCRIPTION


Howard R. Green Company
 CONSULTING ENGINEERS
 1326 ENERGY PARK DRIVE
 ST. PAUL, MINNESOTA 55108
 (612) 644-4388

CITY OF ELK RIVER
EASTERN AREA
TYLER STREET IMPROVEMENTS

STREET AND STORM SEWER IMPROVEMENTS
CROSS SECTIONS - NORTH TYLER STREET
 SAP 71-613-08, SP 204-020-03, SP 204-133-01, SP 204-132-03
 0+360 TO 0+420

SHEET NO.
C1-37X