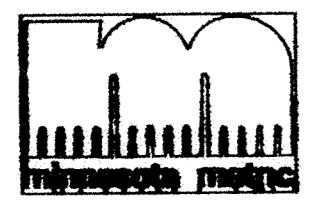
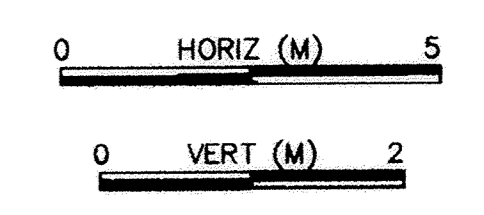
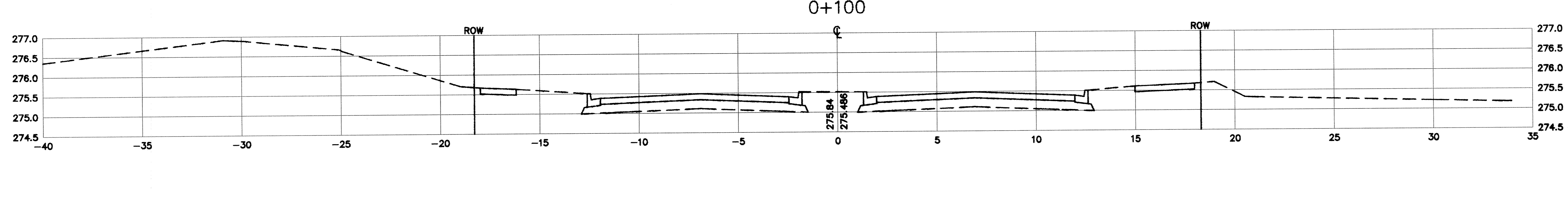
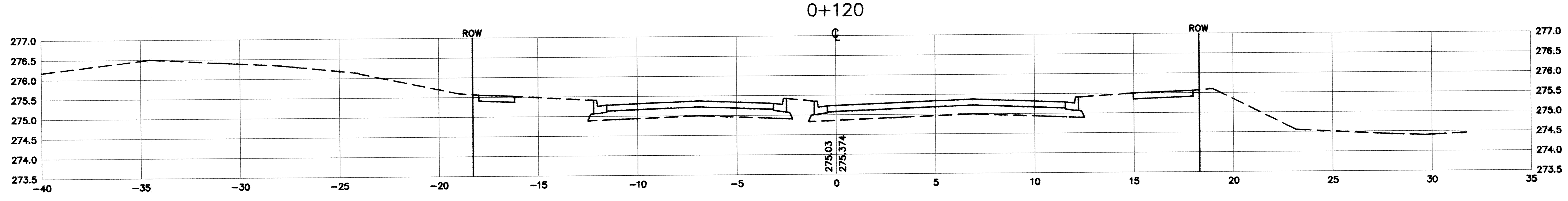
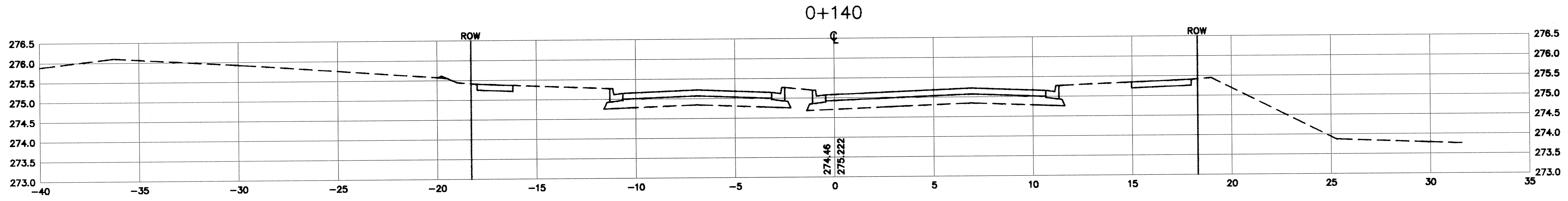
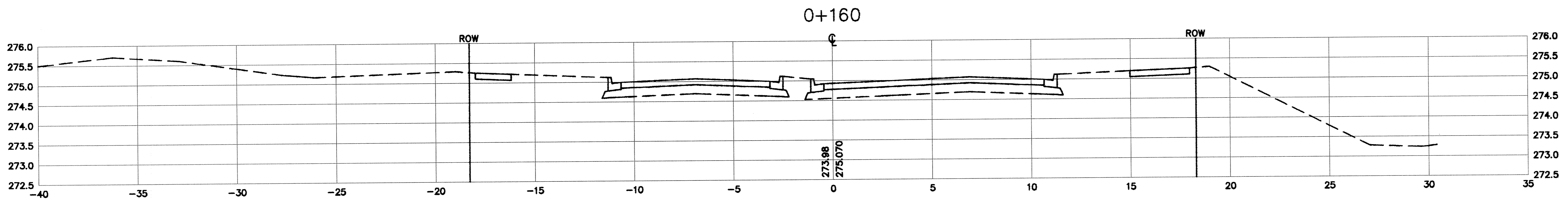


S&C/D PRODUCTS • NEW HOPE, MINNESOTA
REVISION BY PART NUMBER 8532
S&C/D PRODUCTS • NEW HOPE, MINNESOTA
REVISION BY PART NUMBER 8532
S&C/D PRODUCTS • NEW HOPE, MINNESOTA
REVISION BY PART NUMBER 8532
S&C/D PRODUCTS • NEW HOPE, MINNESOTA
REVISION BY PART NUMBER 8532



DESIGNED BY: AB DRAWN BY: *[Signature]*
 APPROVED: --- JOB NUMBER 800110J
 CAD DATE: June 25, 1999 1:38:32 p.m.
 CAD FILE: 800110T\N SEGMENT\X02.DWG

I HEREBY CERTIFY THAT THIS PLAN, SPECIFICATION, OR REPORT WAS PREPARED BY ME OR UNDER MY DIRECT SUPERVISION AND THAT I AM A DULY REGISTERED PROFESSIONAL ENGINEER UNDER THE LAWS OF THE STATE OF MINNESOTA.
 DATE: _____ REG. NO. 15316

NO.	DATE	BY	REVISION DESCRIPTION

Howard R. Green Company
 CONSULTING ENGINEERS

1326 ENERGY PARK DRIVE
 ST. PAUL, MINNESOTA 55108
 (612) 644-4369

CITY OF ELK RIVER
 EASTERN AREA
 TYLER STREET IMPROVEMENTS

STREET AND STORM SEWER IMPROVEMENTS
 CROSS SECTIONS - NORTH TYLER STREET
 SAP 71-613-08, SP 204-020-03, SP 204-133-01, SP 204-132-03
 0+100 TO 0+160

SHEET NO.
C1-34X