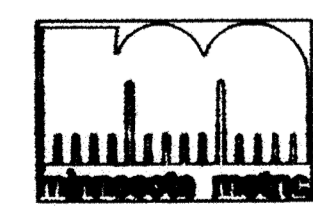
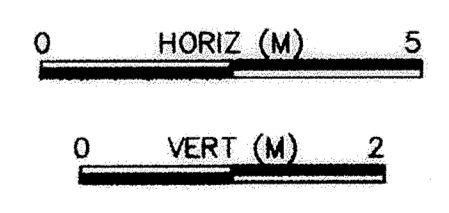
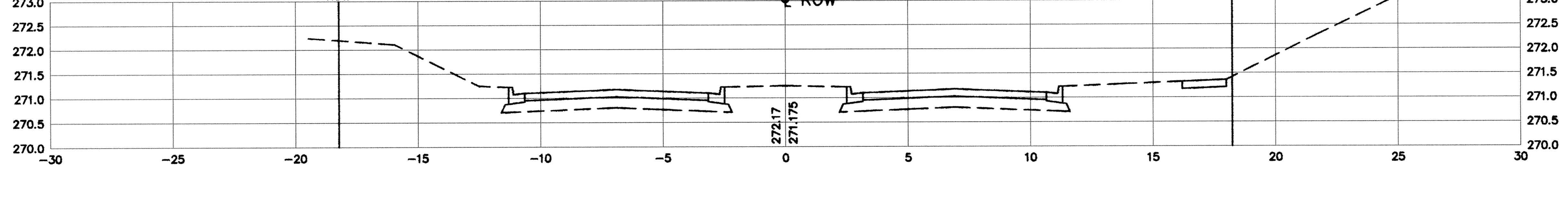
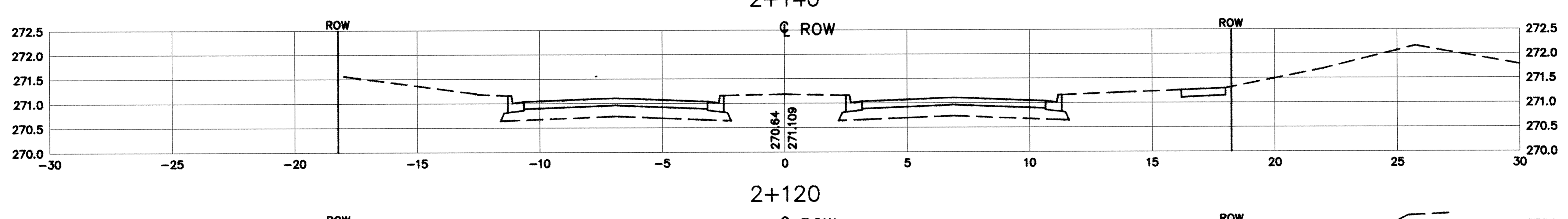
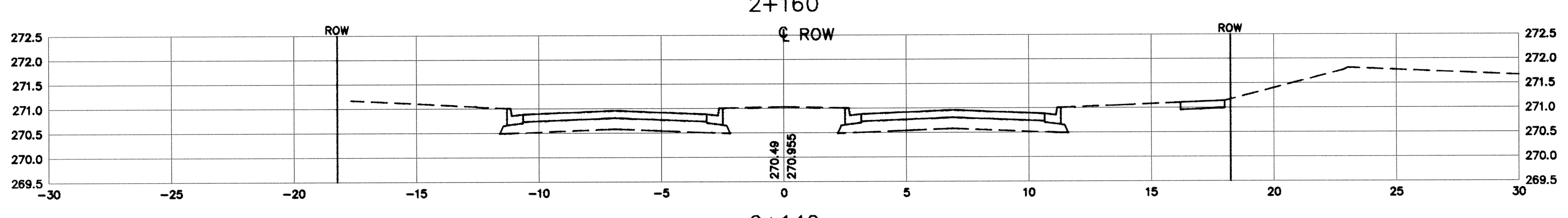
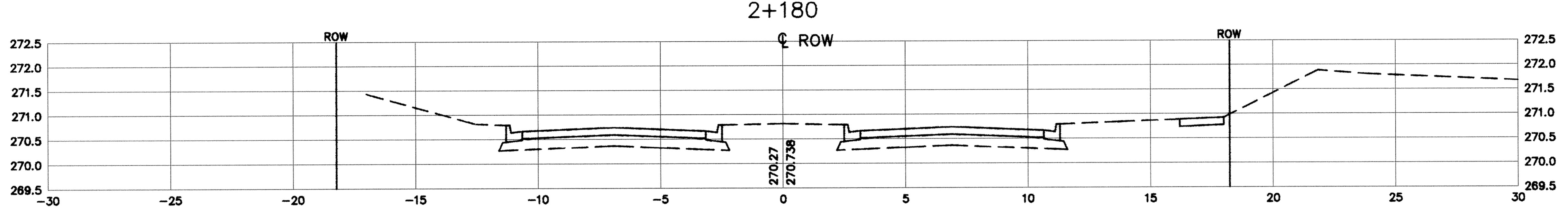
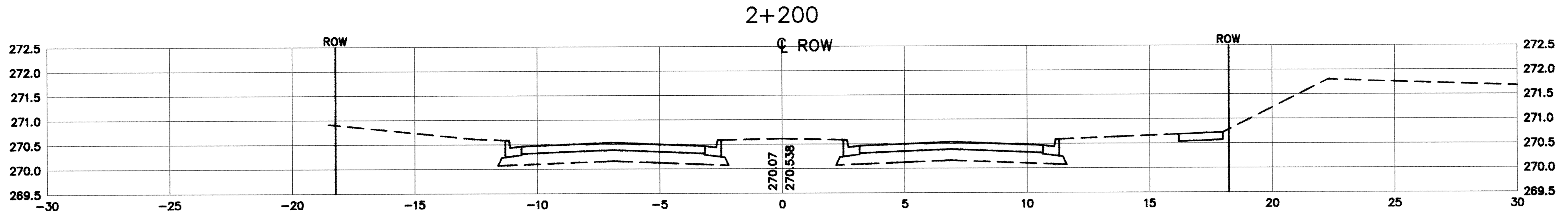


20 PROJECTS - NEWBERG, MINNESOTA
REVISION BY PART NUMBER 8532
20 PROJECTS - NEWBERG, MINNESOTA
REVISION BY PART NUMBER 8532
20 PROJECTS - NEWBERG, MINNESOTA
REVISION BY PART NUMBER 8532
20 PROJECTS - NEWBERG, MINNESOTA
REVISION BY PART NUMBER 8532



DESIGNED BY: AB DRAWN BY: *AB*
 APPROVED: --- JOB NUMBER 800110J
 CAD DATE: June 24, 1999 11:06:29 a.m.
 CAD FILE: 800110T\S_SEGMENT\X26.DWG

I HEREBY CERTIFY THAT THIS PLAN, SPECIFICATION, OR REPORT WAS PREPARED BY ME OR UNDER MY DIRECT SUPERVISION AND THAT I AM A DULY REGISTERED PROFESSIONAL ENGINEER UNDER THE LAWS OF THE STATE OF MINNESOTA.
 DATE _____ REG. NO. 15316

NO.	DATE	BY	REVISION DESCRIPTION

 **Howard R. Green Company**
 CONSULTING ENGINEERS
 1326 ENERGY PARK DRIVE
 ST. PAUL, MINNESOTA 55108
 (612) 644-4389

CITY OF ELK RIVER
EASTERN AREA
TYLER STREET IMPROVEMENTS

STORM SEWER AND STREET IMPROVEMENTS
CROSS SECTIONS - SOUTH TYLER STREET
 SAP 71-613-08, SP 204-020-03, SP 204-133-01, SP 204-132-03
 2+120 TO 2+200

SHEET NO.
C1-26X