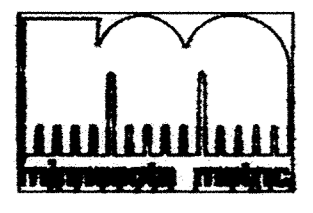
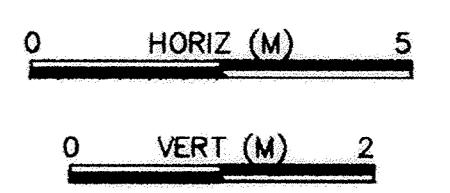
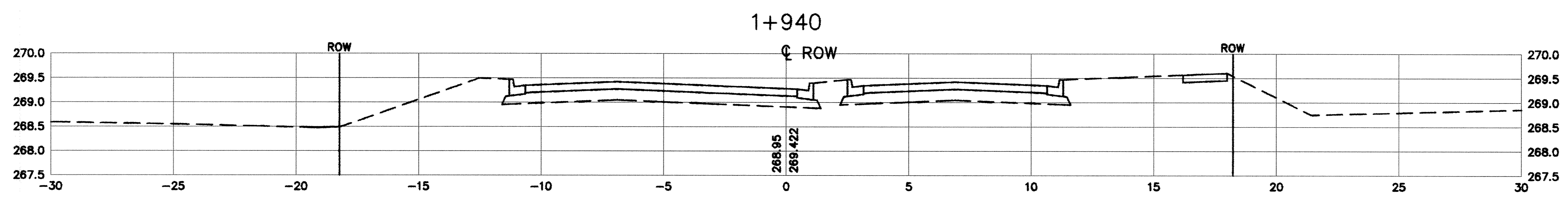
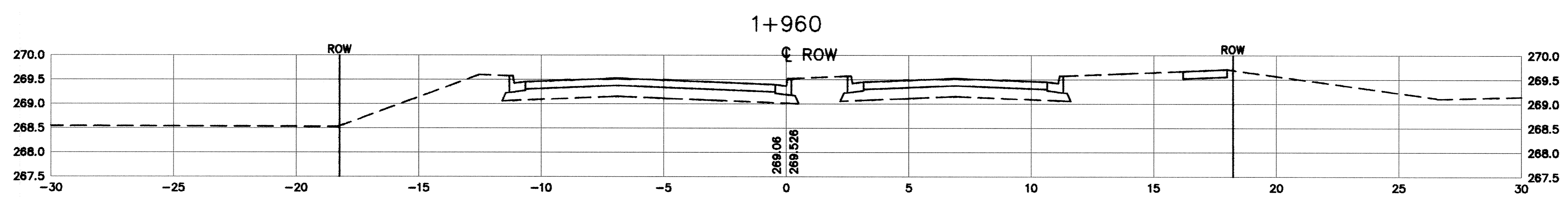
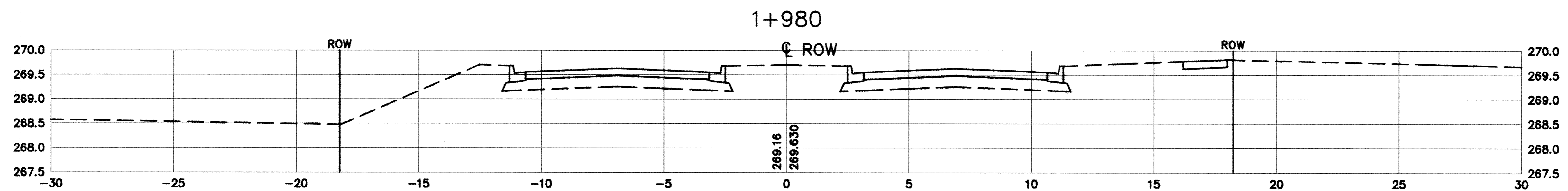
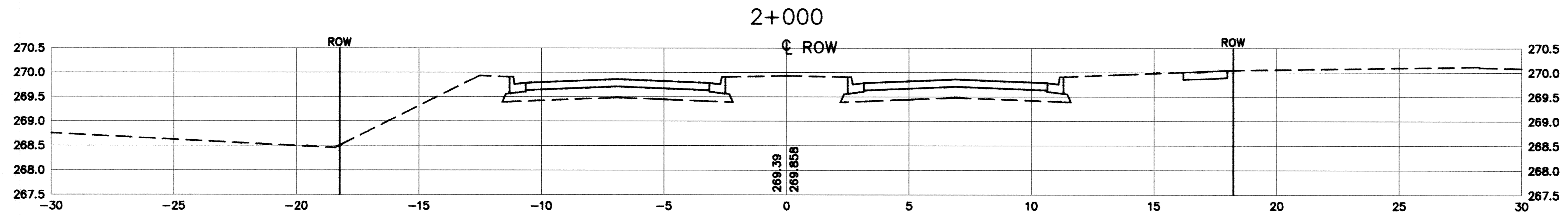
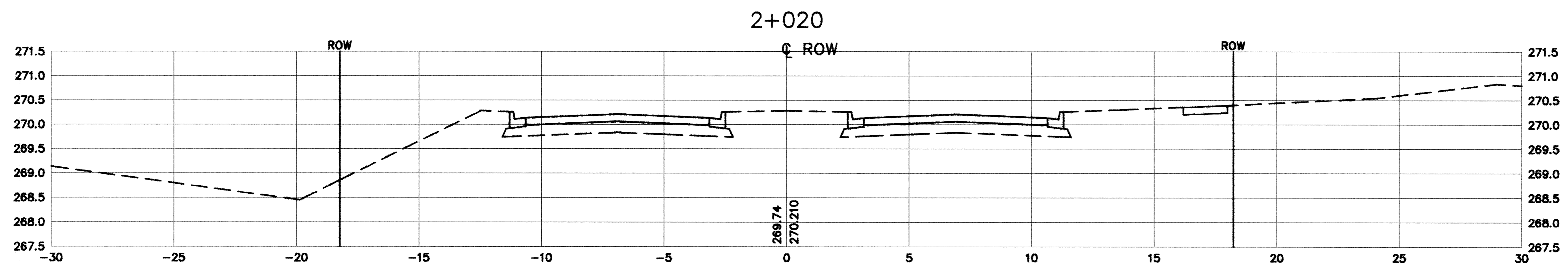


PRODUCTS • NEW HOPKINS, MINNESOTA
DESIGNED BY PAUL KAMBERG
SAPCO PRODUCTS • NEW HOPKINS, MINNESOTA
DESIGNED BY PAUL KAMBERG
PRODUCTS • NEW HOPKINS, MINNESOTA
DESIGNED BY PAUL KAMBERG
SAPCO PRODUCTS • NEW HOPKINS, MINNESOTA
DESIGNED BY PAUL KAMBERG



ref: XSEC_BASE.DWG
 DESIGNED BY: AB DRAWN BY: *AB*
 APPROVED: --- JOB NUMBER 800110J
 CAD DATE: March 18, 1999 9:53:10 a.m.
 CAD FILE: 800110J\S_SEGMENT\X24.DWG

I HEREBY CERTIFY THAT THIS PLAN, SPECIFICATION, OR REPORT WAS PREPARED BY ME OR UNDER MY DIRECT SUPERVISION AND THAT I AM A DULY REGISTERED PROFESSIONAL ENGINEER UNDER THE LAWS OF THE STATE OF MINNESOTA.
 DATE _____ REG. NO. 15316

| NO. | DATE | BY | REVISION DESCRIPTION |
|-----|------|----|----------------------|
| | | | |
| | | | |
| | | | |

1326 ENERGY PARK DRIVE
 ST. PAUL, MINNESOTA 55108
 (612) 644-4389
Howard R. Green Company
 CONSULTING ENGINEERS

CITY OF ELK RIVER
EASTERN AREA
TYLER STREET IMPROVEMENTS

STORM SEWER AND STREET IMPROVEMENTS
CROSS SECTIONS - SOUTH TYLER STREET
 SAP 71-613-08, SP 204-020-03, SP 204-133-01, SP 204-132-03
 1+940 TO 2+020

SHEET NO.
C1-24X