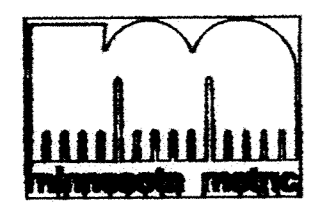
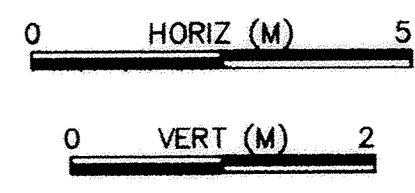
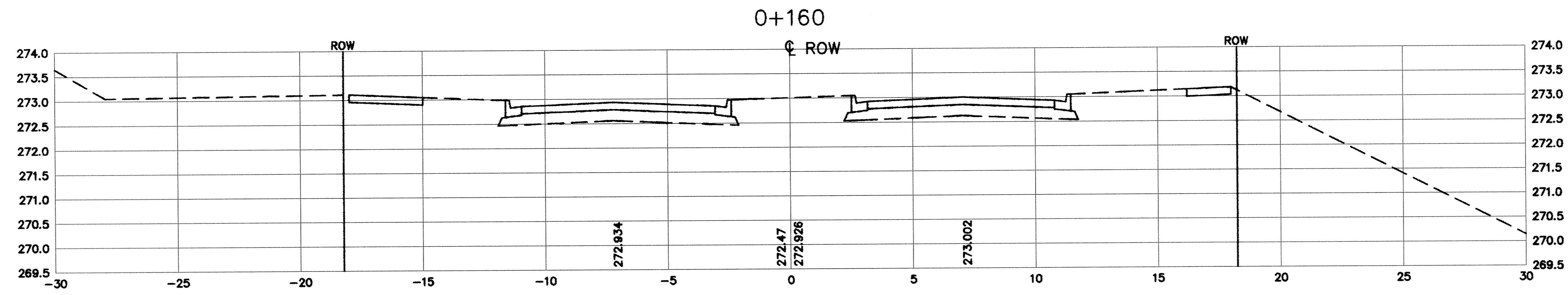
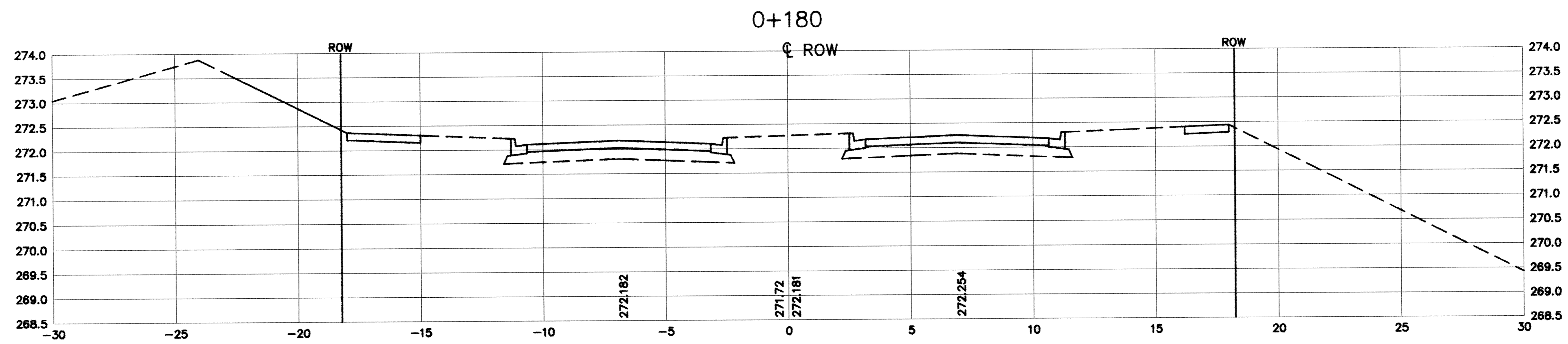
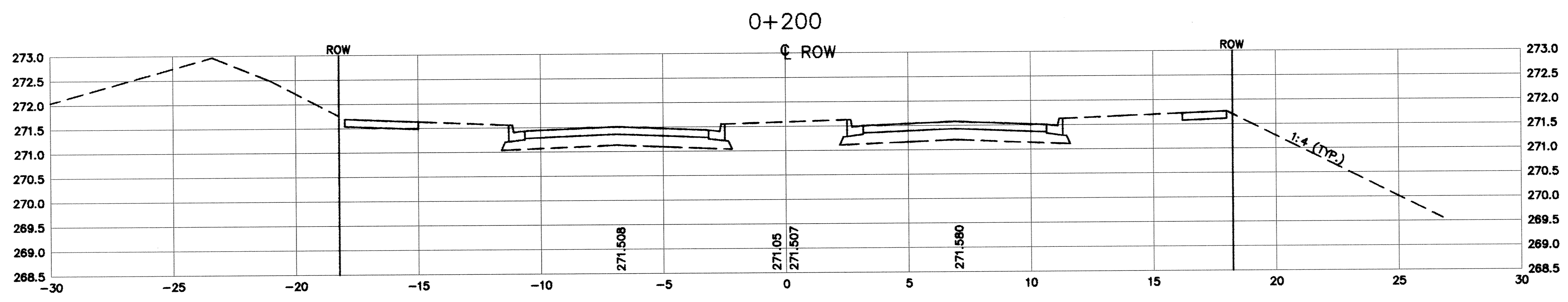


SACCO PRODUCTS • NEW HOPK, MINNESOTA  
REORDER BY PART NUMBER 8582

SACCO PRODUCTS • NEW HOPK, MINNESOTA  
REORDER BY PART NUMBER 8582

SACCO PRODUCTS • NEW HOPK, MINNESOTA  
REORDER BY PART NUMBER 8582

SACCO PRODUCTS • NEW HOPK, MINNESOTA  
REORDER BY PART NUMBER 8582



DESIGNED BY: AB DRAWN BY: *[Signature]*  
 APPROVED: --- JOB NUMBER: 800110J  
 CAD DATE: June 24, 1999 9:53:40 a.m.  
 CAD FILE: 800110T\S\_SEGMENT\X03.DWG

I HEREBY CERTIFY THAT THIS PLAN, SPECIFICATION,  
 OR REPORT WAS PREPARED BY ME OR UNDER MY DIRECT  
 SUPERVISION AND THAT I AM A DULY REGISTERED  
 PROFESSIONAL ENGINEER UNDER THE LAWS OF THE  
 STATE OF MINNESOTA.  
 DATE: 10/15/98 REG. NO.: 15316

NO.	DATE	BY	REVISION DESCRIPTION

1326 ENERGY PARK DRIVE  
 ST. PAUL, MINNESOTA 55108  
 (612) 644-4389  
**Howard R. Green Company**  
 CONSULTING ENGINEERS

**CITY OF ELK RIVER**  
 EASTERN AREA  
 TYLER STREET IMPROVEMENTS

**STORM SEWER AND STREET IMPROVEMENTS**  
 CROSS SECTIONS - SOUTH TYLER STREET  
 SAP 71-613-08, SP 204-020-03, SP 204-133-01, SP 204-132-03  
 0+160 TO 0+200

SHEET NO.  
**C1-3X**