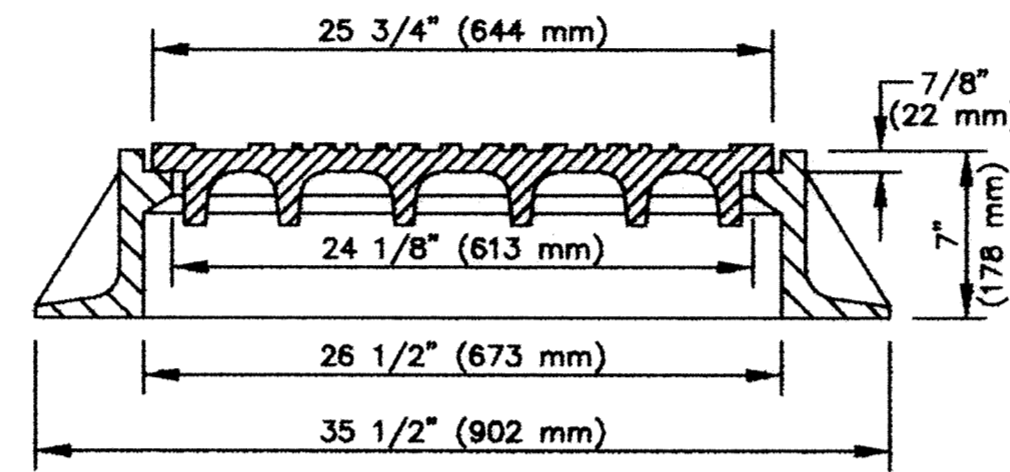
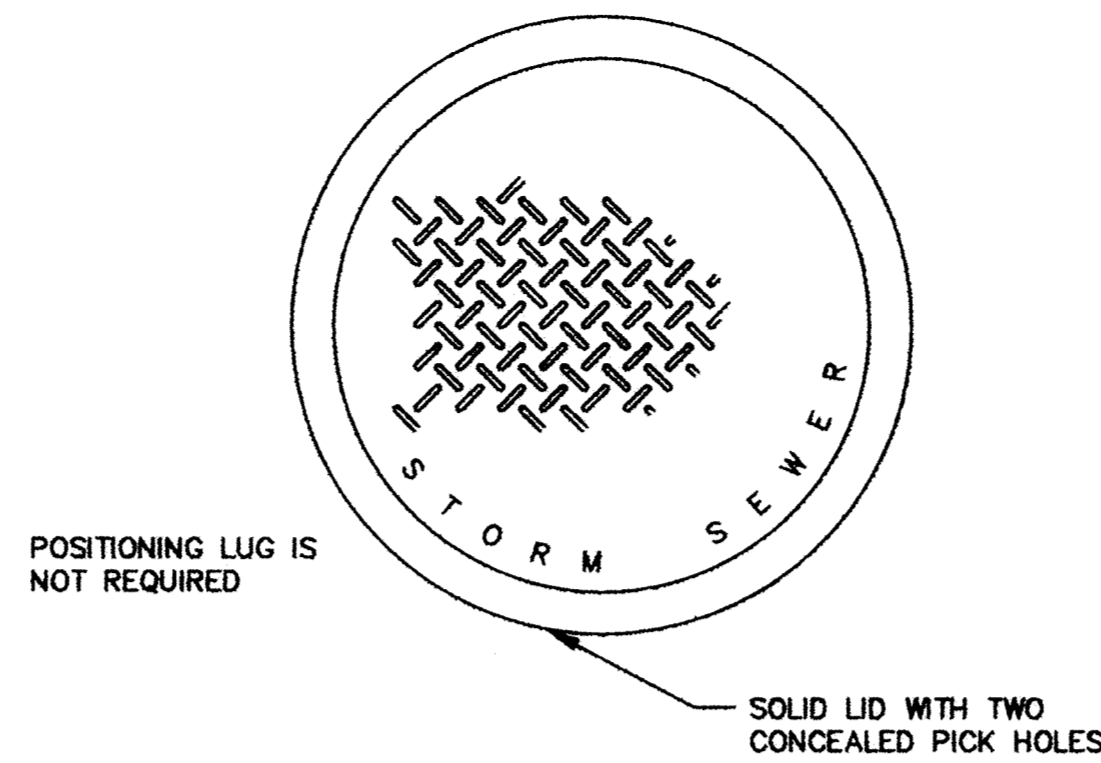
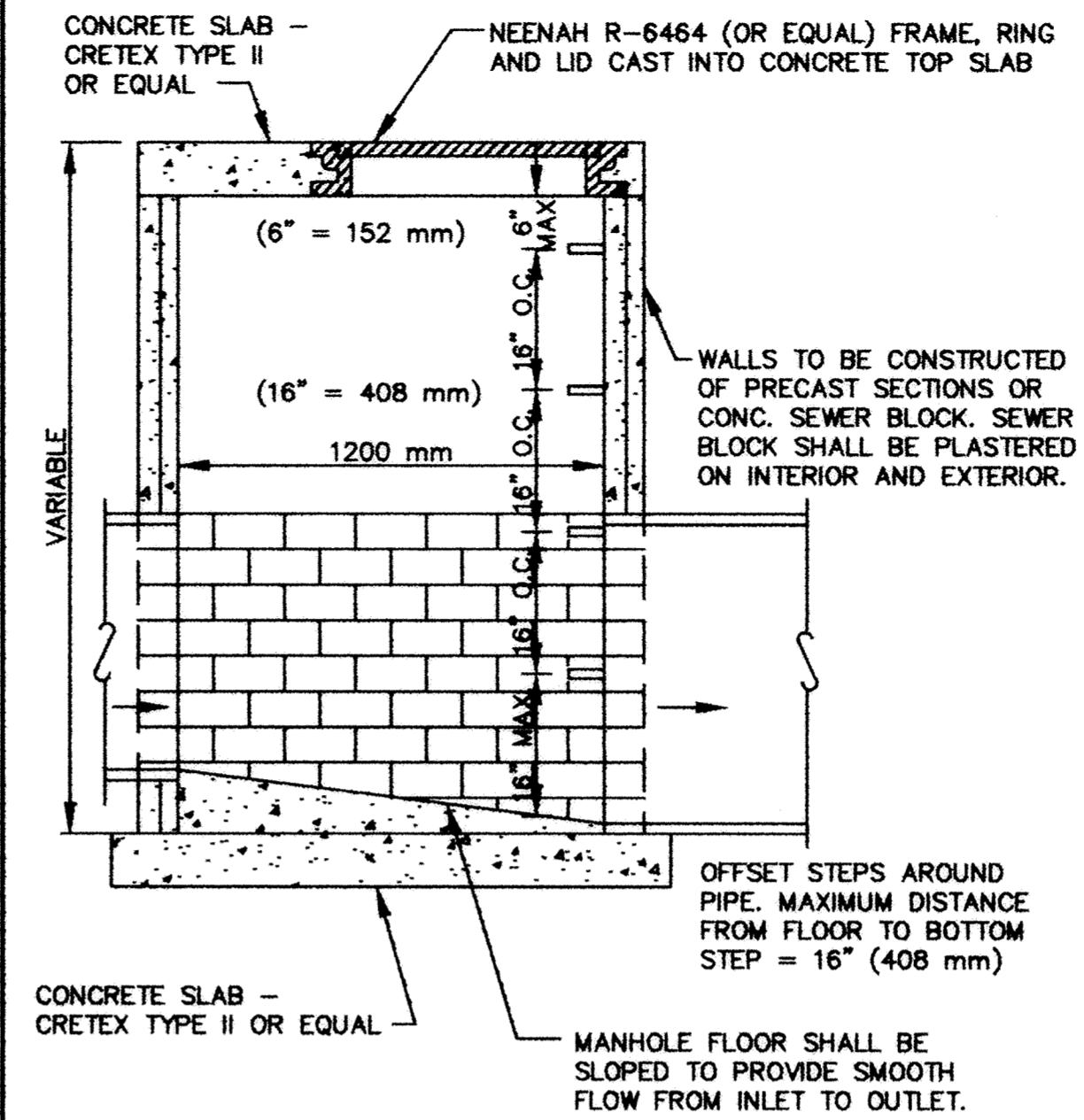


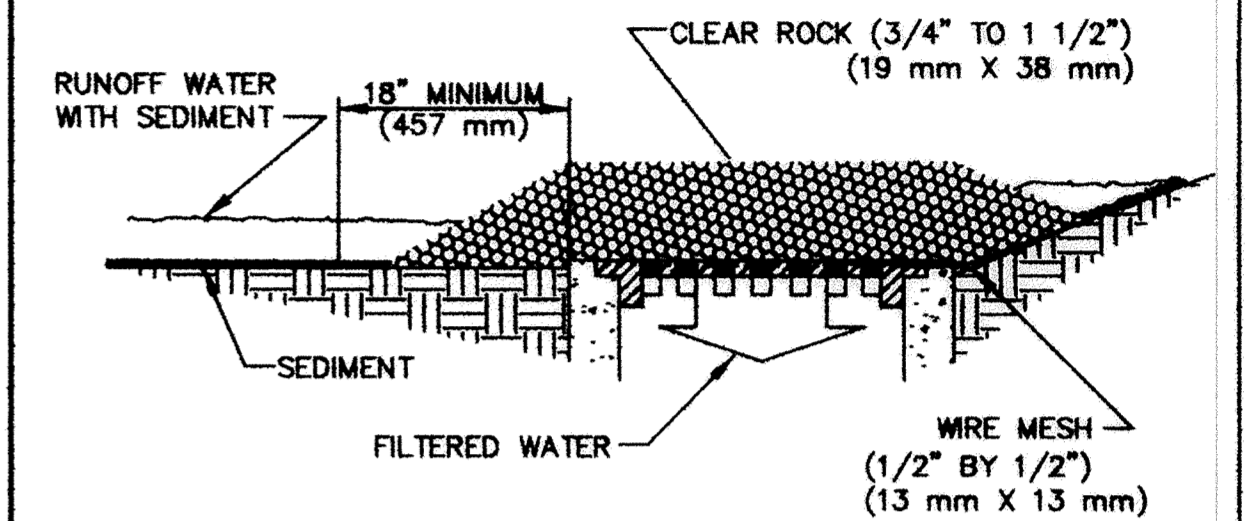
TRASH GUARD



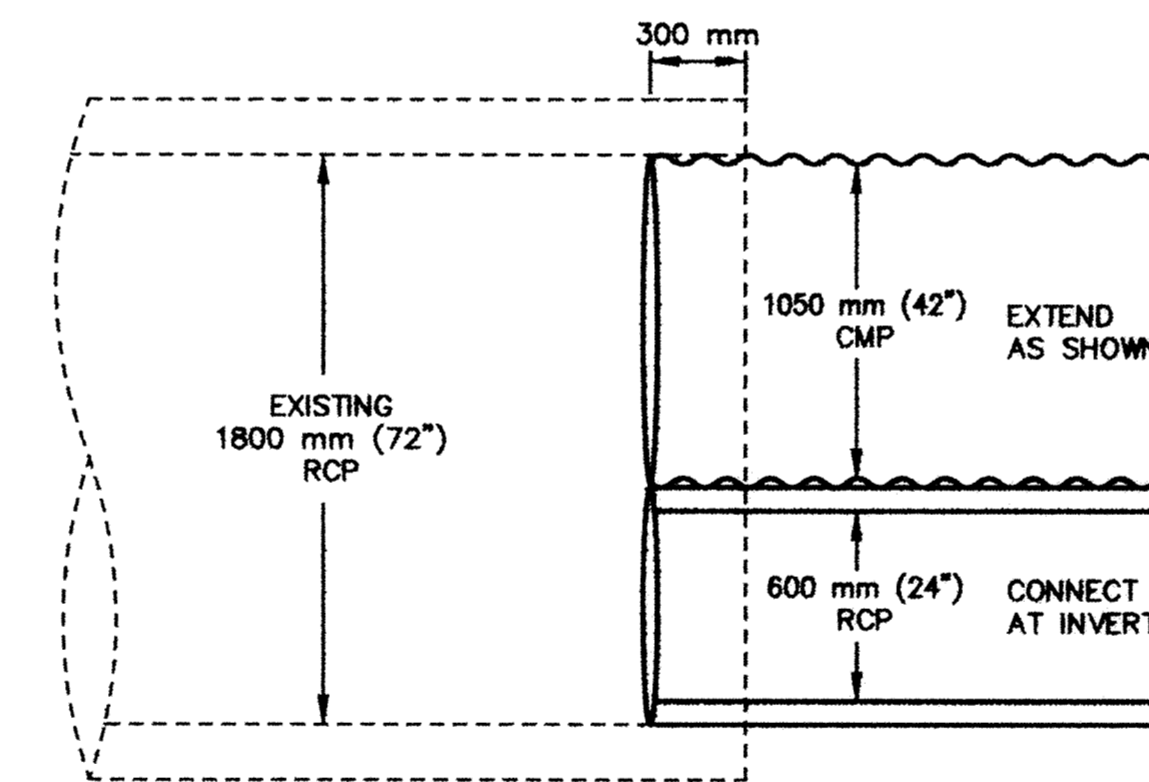
STANDARD MANHOLE CASTING



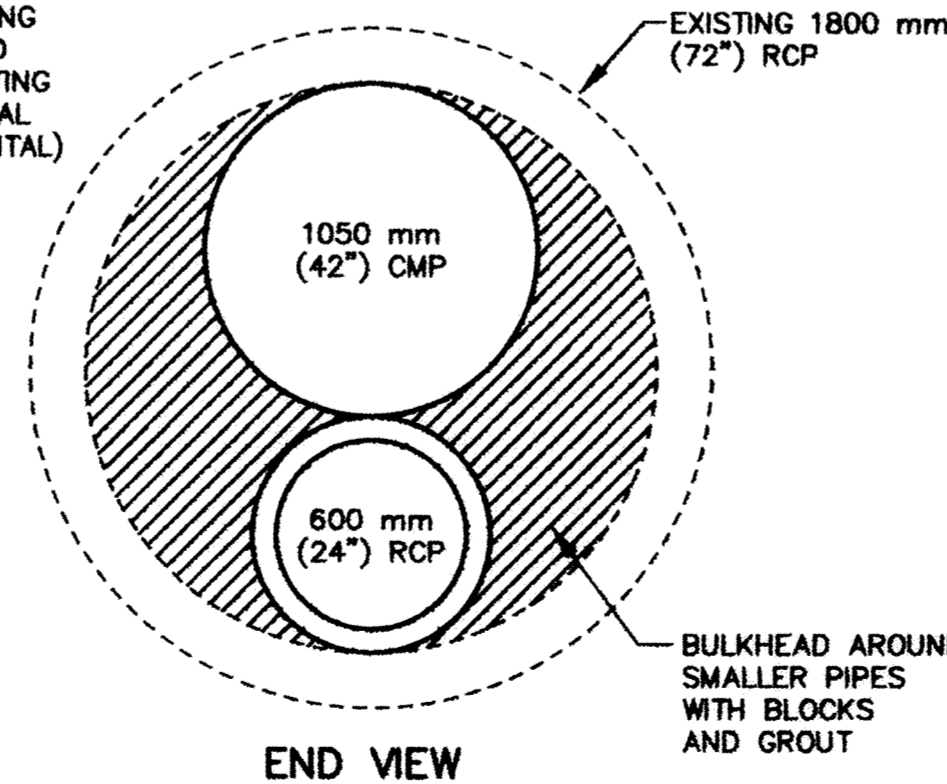
DRAINAGE STRUCTURE - DESIGN SPECIAL 3



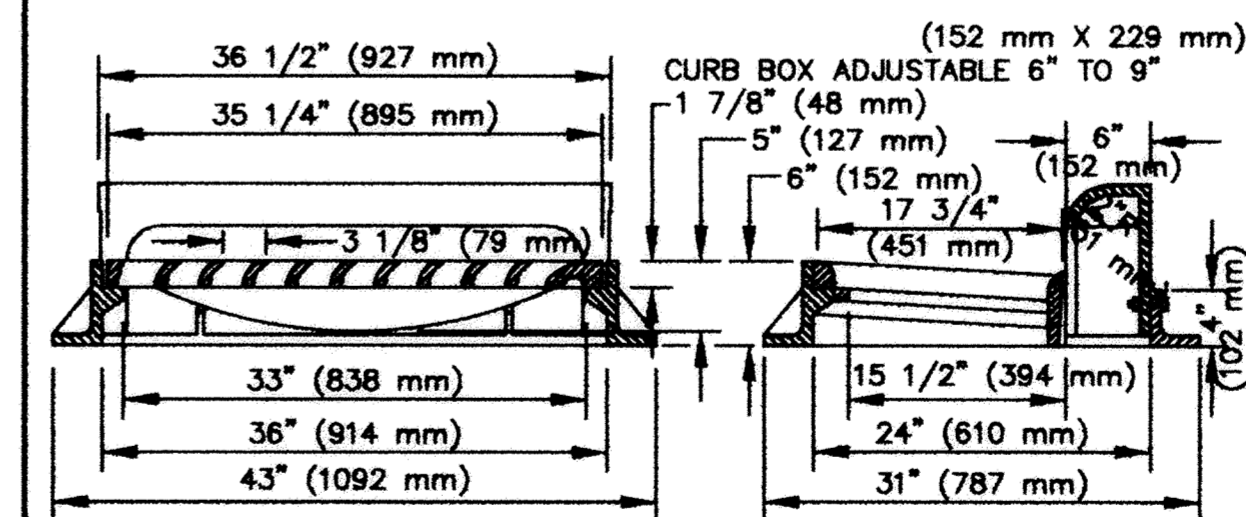
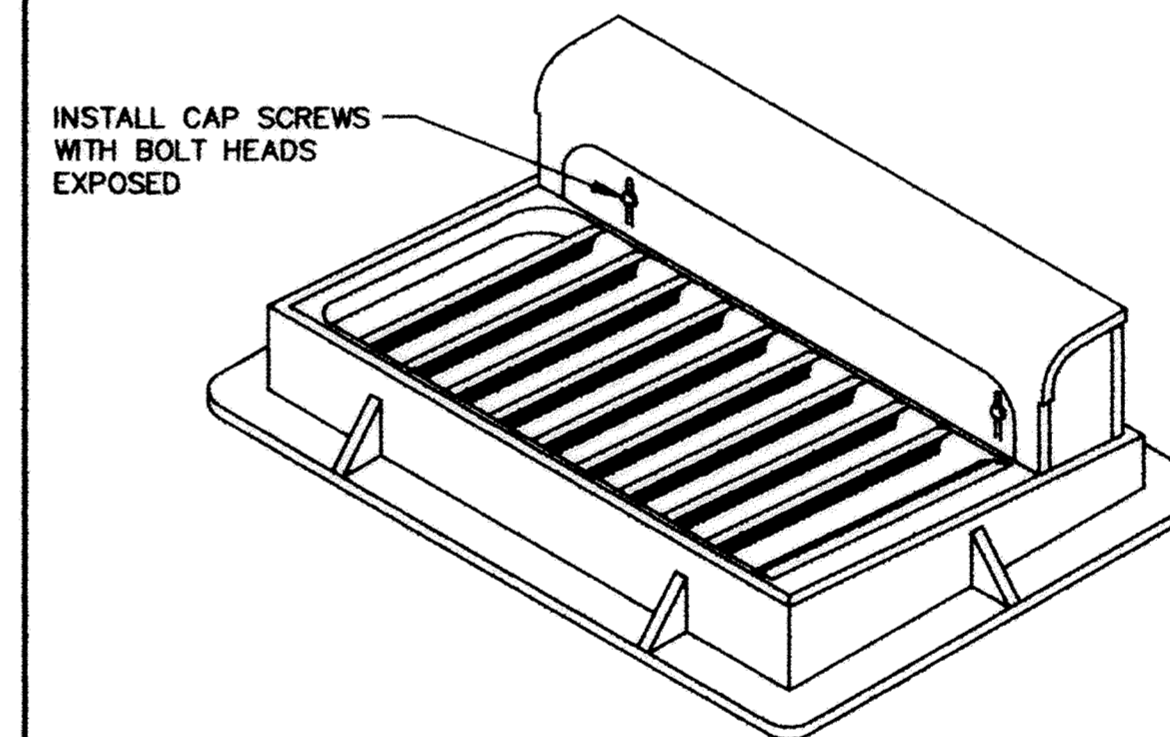
CATCH BASIN SEDIMENTATION BARRIER



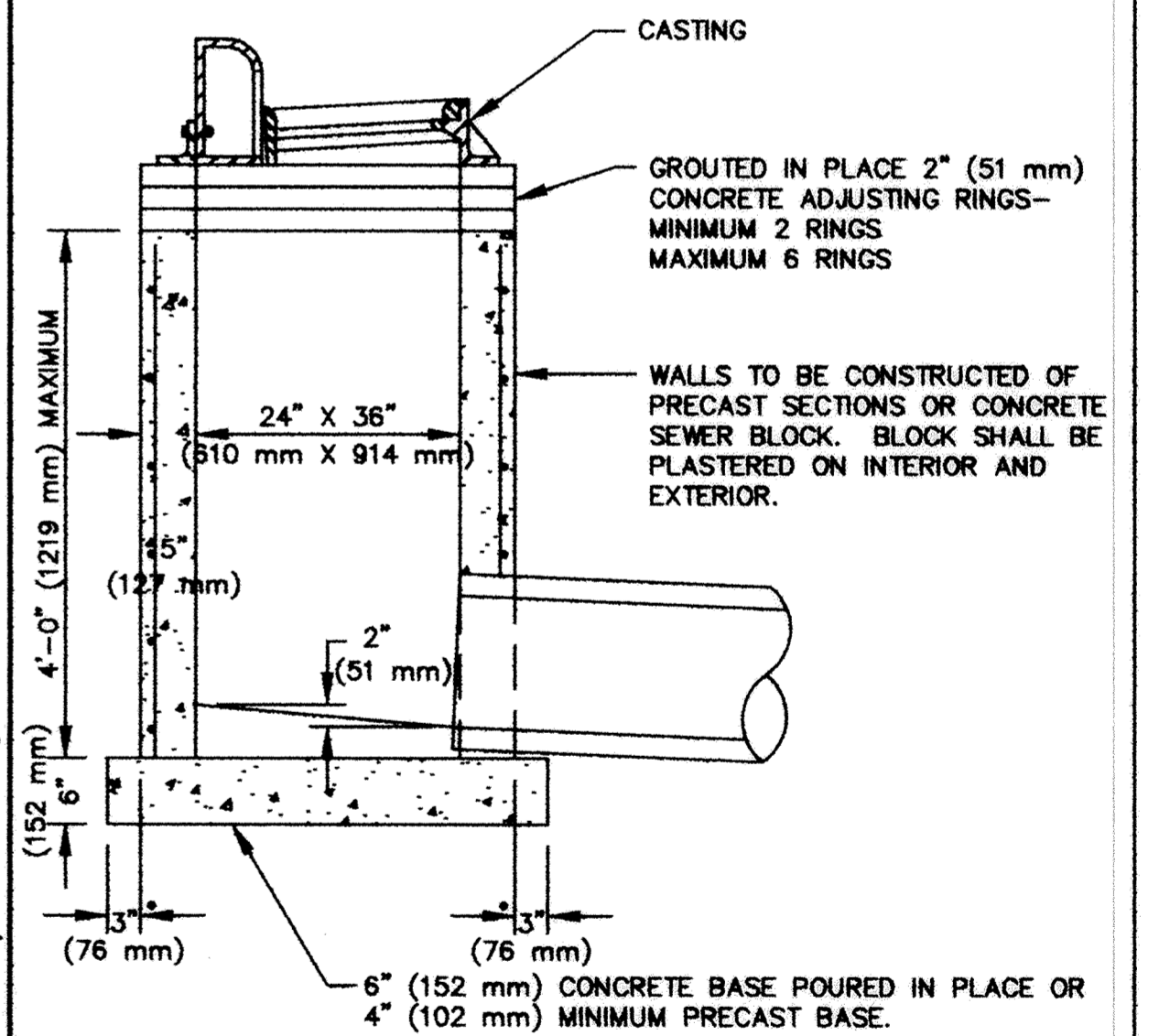
NOTE:
CONTRACTOR SHALL REMOVE EXISTING BULKHEAD AND SALVAGE EXISTING 1050 mm METAL APRON (INCIDENTAL)



CONNECT INTO EXISTING DRAINAGE STRUCTURE



STANDARD INLET CASTING



SHALLOW CATCH BASIN

DESIGNED BY: AB DRAWN BY: [Signature]
 APPROVED: [Signature] JOB NUMBER 800110J
 CAD DATE: November 08, 1999 2:07:43 p.m.
 CAD FILE: 800110T\MISC\STORM_DETAILS.DWG

I HEREBY CERTIFY THAT THIS PLAN, SPECIFICATION, OR REPORT WAS PREPARED BY ME OR UNDER MY DIRECT SUPERVISION AND THAT I AM A DULY REGISTERED PROFESSIONAL ENGINEER UNDER THE LAWS OF THE STATE OF MINNESOTA.

DATE _____ REG. NO. _____

NO.	DATE	BY	REVISION DESCRIPTION
1.	11-8-99	RM	REVISE DETAILS

1326 ENERGY PARK DRIVE
 ST. PAUL, MINNESOTA 55108
 (612) 644-4388

Howard R. Green Company
 CONSULTING ENGINEERS

STORM SEWER DETAILS
 SP 71-613-08, SP 204-020-03, SP 204-133-01, SP 204-132-03

SHEET NO.
G11