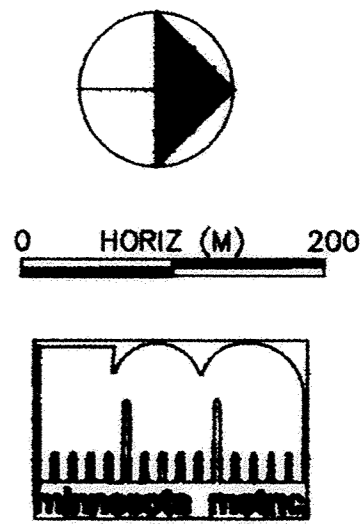
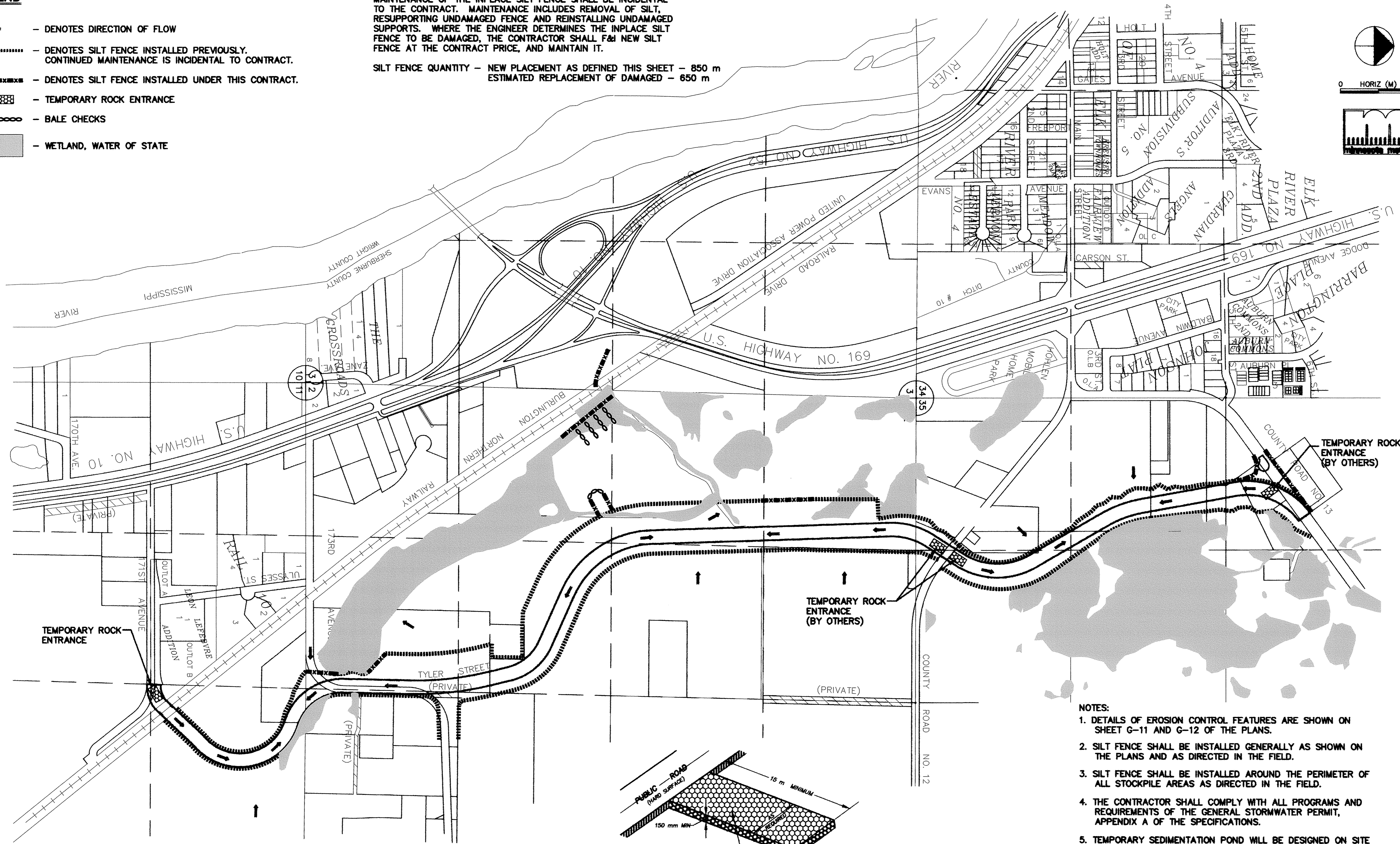


LEGEND

- ← - DENOTES DIRECTION OF FLOW
- - DENOTES SILT FENCE INSTALLED PREVIOUSLY. CONTINUED MAINTENANCE IS INCIDENTAL TO CONTRACT.
- - DENOTES SILT FENCE INSTALLED UNDER THIS CONTRACT.
- - TEMPORARY ROCK ENTRANCE
- - BALE CHECKS
- - WETLAND, WATER OF STATE

SILT FENCE HAS BEEN INSTALLED UNDER PHASE I IMPROVEMENTS. MAINTENANCE OF THE INPLACE SILT FENCE SHALL BE INCIDENTAL TO THE CONTRACT. MAINTENANCE INCLUDES REMOVAL OF SILT, RESUPPORTING UNDAMAGED FENCE AND REINSTALLING UNDAMAGED SUPPORTS. WHERE THE ENGINEER DETERMINES THE INPLACE SILT FENCE TO BE DAMAGED, THE CONTRACTOR SHALL F&I NEW SILT FENCE AT THE CONTRACT PRICE, AND MAINTAIN IT.

SILT FENCE QUANTITY - NEW PLACEMENT AS DEFINED THIS SHEET - 850 m
ESTIMATED REPLACEMENT OF DAMAGED - 650 m



NOTES:

1. DETAILS OF EROSION CONTROL FEATURES ARE SHOWN ON SHEET G-11 AND G-12 OF THE PLANS.
2. SILT FENCE SHALL BE INSTALLED GENERALLY AS SHOWN ON THE PLANS AND AS DIRECTED IN THE FIELD.
3. SILT FENCE SHALL BE INSTALLED AROUND THE PERIMETER OF ALL STOCKPILE AREAS AS DIRECTED IN THE FIELD.
4. THE CONTRACTOR SHALL COMPLY WITH ALL PROGRAMS AND REQUIREMENTS OF THE GENERAL STORMWATER PERMIT, APPENDIX A OF THE SPECIFICATIONS.
5. TEMPORARY SEDIMENTATION POND WILL BE DESIGNED ON SITE TO FIT THE CONDITIONS ON SITE.

DRAWN: RKM DESIGNED: _____ JOB DATE: SEPT 1998
 APPROVED: _____ JOB NUMBER 800110J
 CAD DATE: January 08, 2003 7:51:24 a.m.
 CAD FILE: 800110T\Asbuilts\MISC\EROSION_CONT.DWG

I HEREBY CERTIFY THAT THIS PLAN, SPECIFICATION, OR REPORT WAS PREPARED BY ME OR UNDER MY DUTY SUPERVISION AND THAT I AM A DULY REGISTERED PROFESSIONAL ENGINEER UNDER THE LAWS OF THE STATE OF MINNESOTA.

DATE 10/15/98 REG. NO. 15316

NO.	DATE	BY	REVISION DESCRIPTION
1	4/21/99	LK	DELETED NORTH POND

1326 ENERGY PARK DRIVE
ST. PAUL, MINNESOTA 55108
(651) 644-4389

Howard R. Green Company
CONSULTING ENGINEERS

CITY OF ELK RIVER
EASTERN AREA
TYLER STREET IMPROVEMENTS

TEMPORARY AND PERMANENT EROSION AND SEDIMENT CONTROL PLAN
 SP 71-613-08, SP 204-020-03, SP 204-133-01, SP 204-132-03

SHEET NO.
M10

DRAWING NUMBER EASTE 01