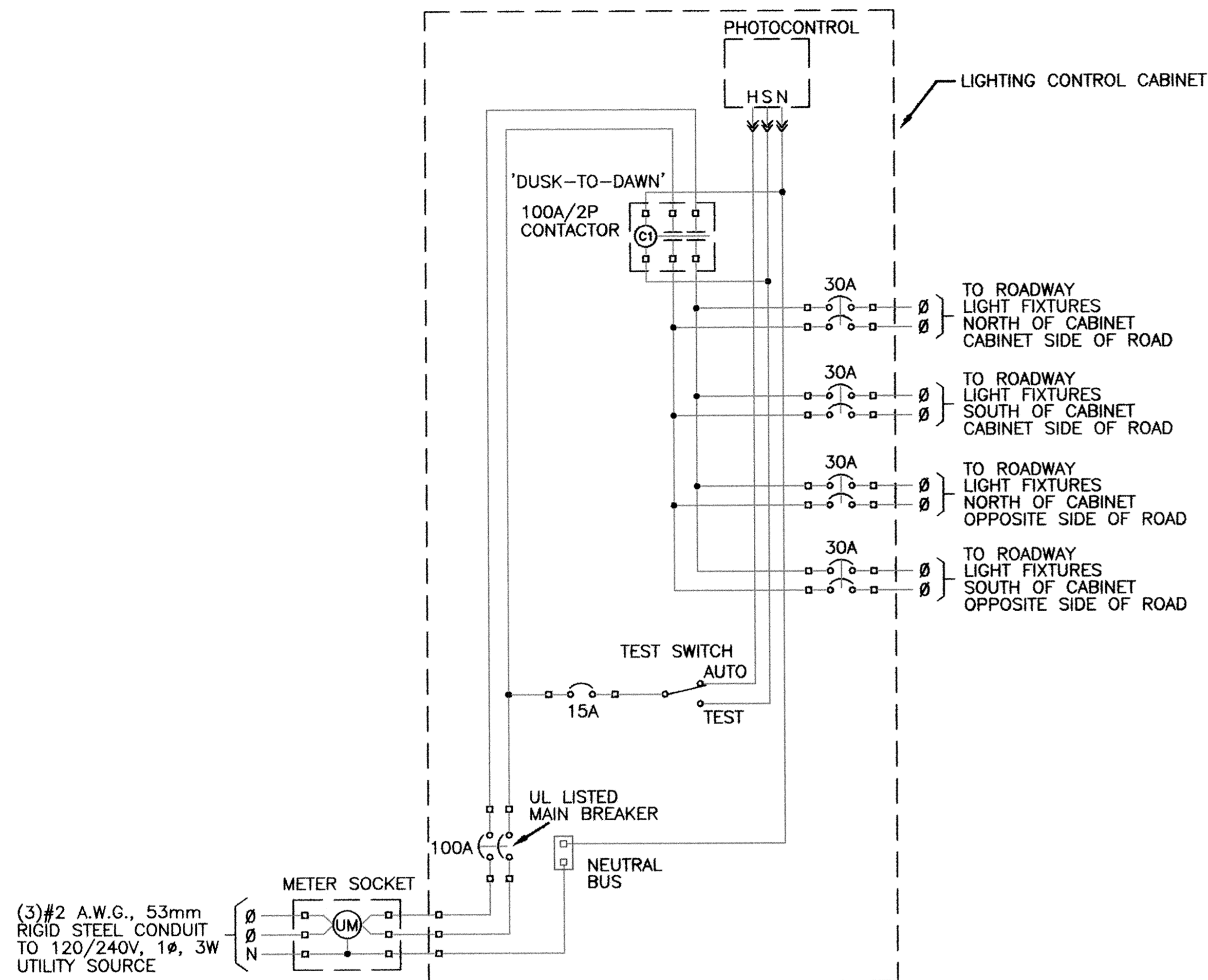
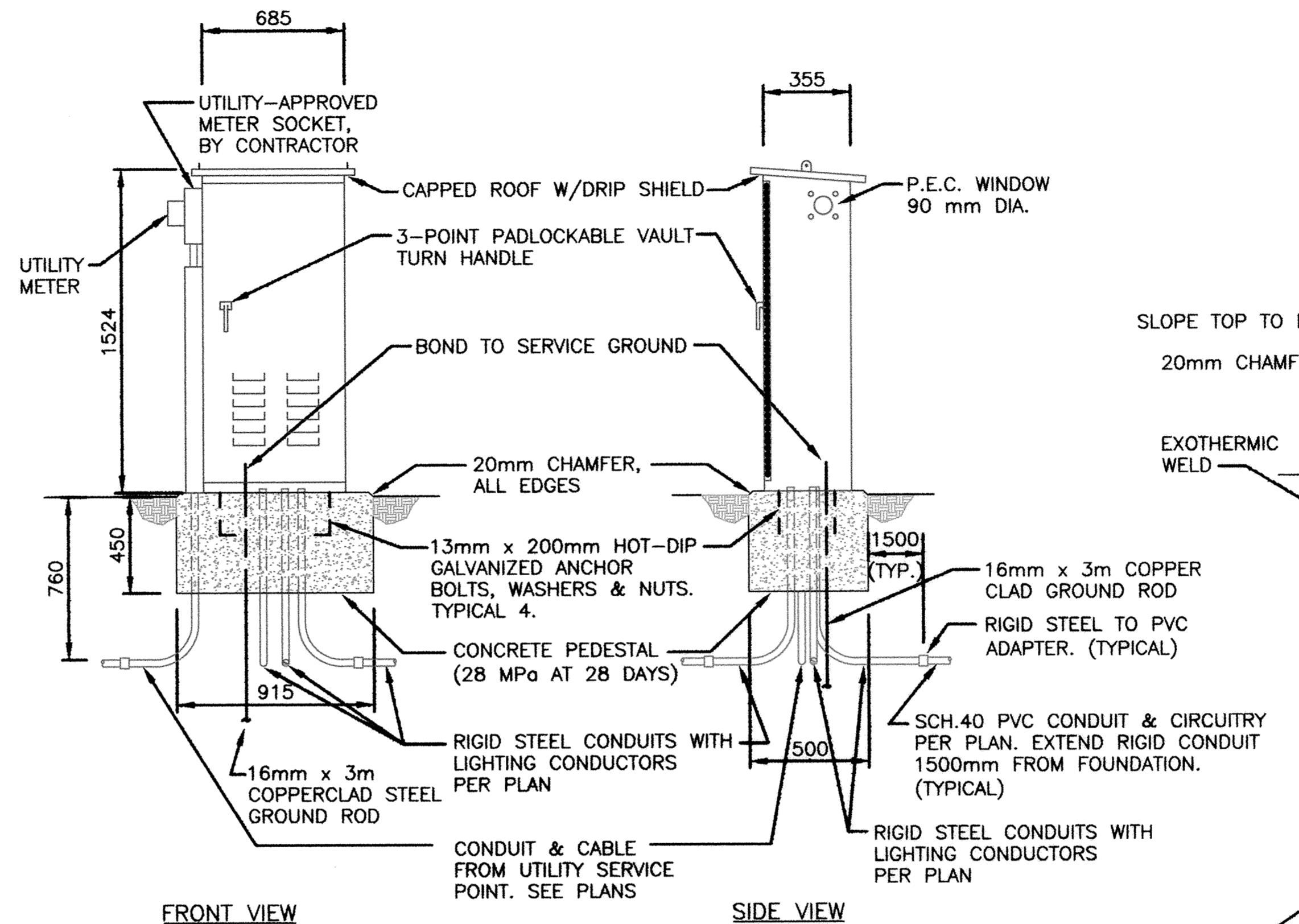


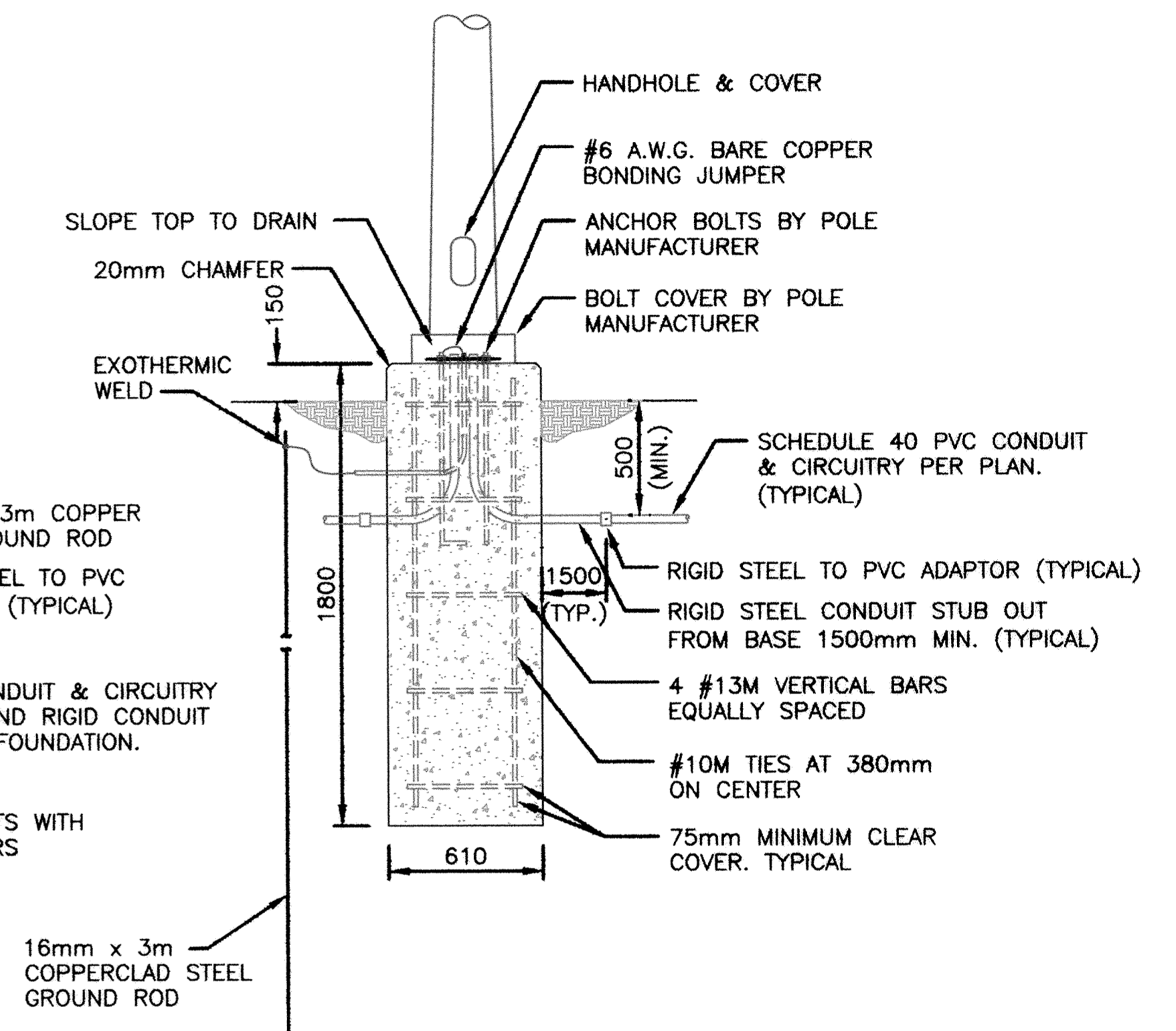
LIGHT FIXTURE SCHEDULE										POLE			
LUMINAIRE										POLE			
PLAN MARK	DESCRIPTION	PHOTOMETRIC PERFORMANCE	MANUFACTURER & MODEL NO.	VOLTAGE	LAMPS	MOUNTING	FINISH	REMARKS	MANUFACTURER & MODEL NO.	FINISH	HEIGHT	REMARKS	
(E)	UTILITY SHOE BOX	TYPE III	COOPER/McGRAW EDISON UCS40SW43DU0027	240	400W HPS, DUAL ARC TUBE G.E. LU400/SBY	POLE	DARK BRONZE POWDER COAT	COOPER/McGRAW EDISON MOUNTING ARM #CA40-18BZ, FINISH TO MATCH FIXTURE	COOPER/McGRAW EDISON STS 8D35SFE1F-G	DARK BRONZE POWDER COAT	10.7m	ANCHOR BOLTS, BOLT COVER GROUNDING LUG & HANDHOLE 4.6 mm (0.180") WALL THICKNESS	



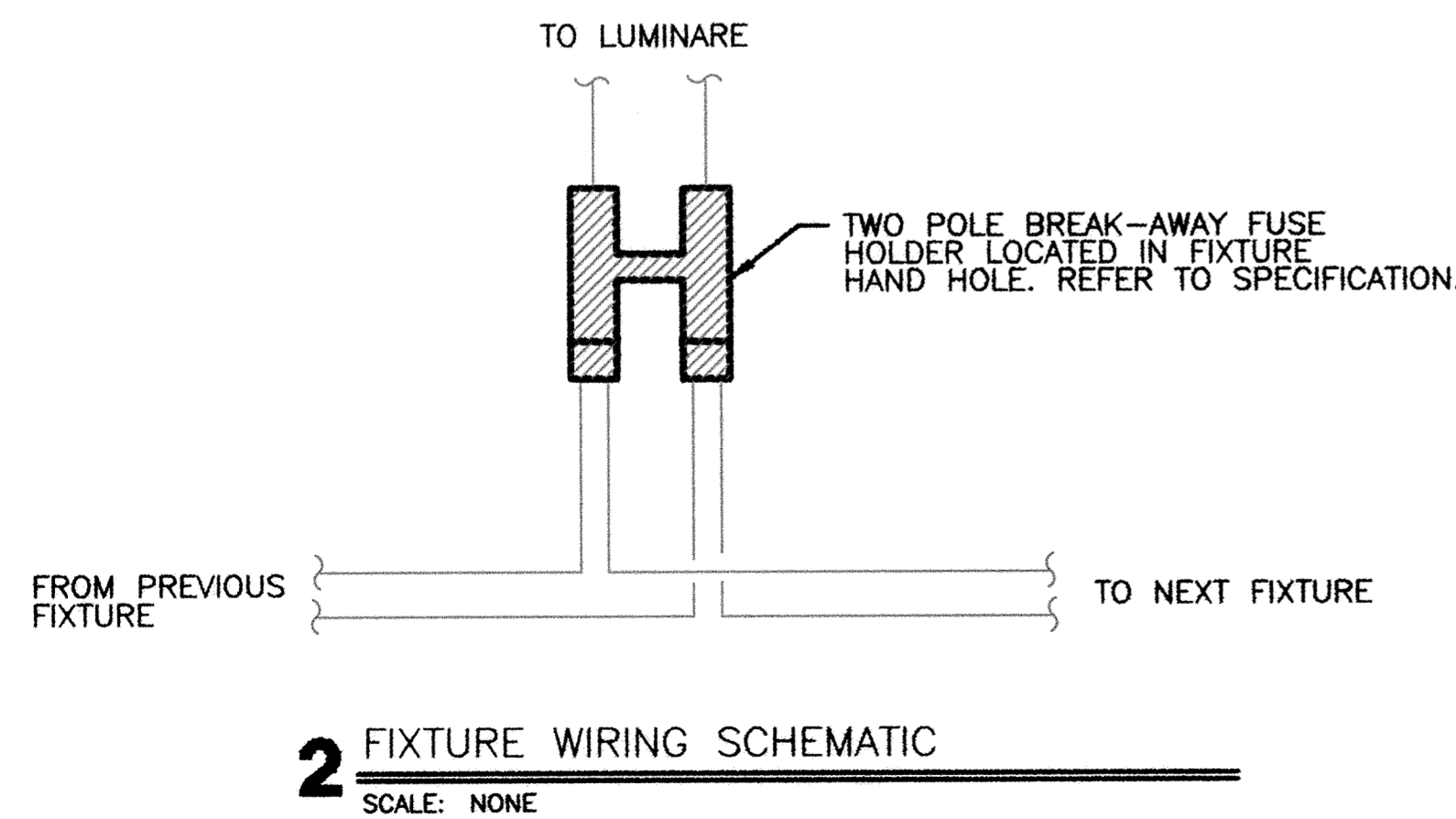
**1 LIGHTING CONTROL CABINET SCHEMATIC**  
SCALE: NONE



**3 LIGHTING CONTROL CABINET ELEVATIONS**  
SCALE: NONE



**4 STREET LIGHTING FIXTURE & BASE DETAIL**  
SCALE: NONE



**REFERENCED ELECTRICAL NOTES**

- (E1) NEW LUMINAIRE WITH POLE AND FOOTING. SEE DETAIL & SCHEDULE
- (E2) (2)#4 A.W.G., (1)#4 A.W.G. GROUND CONDUCTOR IN 53 mm SCHEDULE 40 PVC CONDUIT
- (E3) UTILITY PAD MOUNTED TRANSFORMER FURNISHED & INSTALLED BY LOCAL UTILITY
- (E4) LIGHTING CONTROL CABINET. SEE DETAILS.
- (E5) CONDUIT STUB FOR FUTURE EXTENSION.

**SYMBOLS LIST:**

- LIGHTING FIXTURE
- ⊠ LIGHTING CONTROL CABINET
- ⊞ UTILITY TRANSFORMER

**CONCRETE BASE NOTES:**

1. CONCRETE SHALL HAVE 6% AIR ENTRAINMENT AND A '28 DAY' STRENGTH OF 28 MPa.
2. CONCRETE MIX SHALL BE #3Y4.3 CONFORMING TO MINNESOTA DEPARTMENT OF TRANSPORTATION (MN/DOT) SPECIFICATION 2461.
3. REINFORCING STEEL SHALL BE ASTM A615M, GRAD 400, NEW BILLET, INTERMEDIATE GRADE, DEFORMED W/400 MPa YIELD STRENGTH.

DESIGNED BY: AJD DRAWN BY: DRS  
 APPROVED: --- JOB NUMBER 800110J  
 CAD DATE: January 06, 2003 9:36:45 a.m.  
 CAD FILE: 800110T\800110J\DWGS\TYLER\_LIGHTING.E

I HEREBY CERTIFY THAT THIS PLAN, SPECIFICATION, OR REPORT WAS PREPARED BY ME OR UNDER MY DIRECT SUPERVISION AND THAT I AM A DULY REGISTERED PROFESSIONAL ENGINEER UNDER THE LAWS OF THE STATE OF MINNESOTA.  
 DATE: DWG (JLALLEN) REG. NO. \_\_\_\_\_

NO.	DATE	BY	REVISION DESCRIPTION

**Howard R. Green Company**  
CONSULTING ENGINEERS  
 1326 ENERGY PARK DRIVE  
ST. PAUL, MINNESOTA 55108  
(612) 844-4389

**CITY OF ELK RIVER**  
**EASTERN AREA**  
**TYLER STREET IMPROVEMENTS**

**LIGHTING DETAILS**  
**TYLER STREET**  
SP 204-020-03, SP 204-133-01, SP 204-132-03

SHEET NO.  
**L1**

DRAWING NUMBER EASTE 01 101  
 SAFCO PRODUCTS • NEW HARBOR, MINNESOTA  
 REVISION BY PART NUMBER 6582  
 SAFCO PRODUCTS • NEW HARBOR, MINNESOTA  
 REVISION BY PART NUMBER 6582  
 SAFCO PRODUCTS • NEW HARBOR, MINNESOTA  
 REVISION BY PART NUMBER 6582