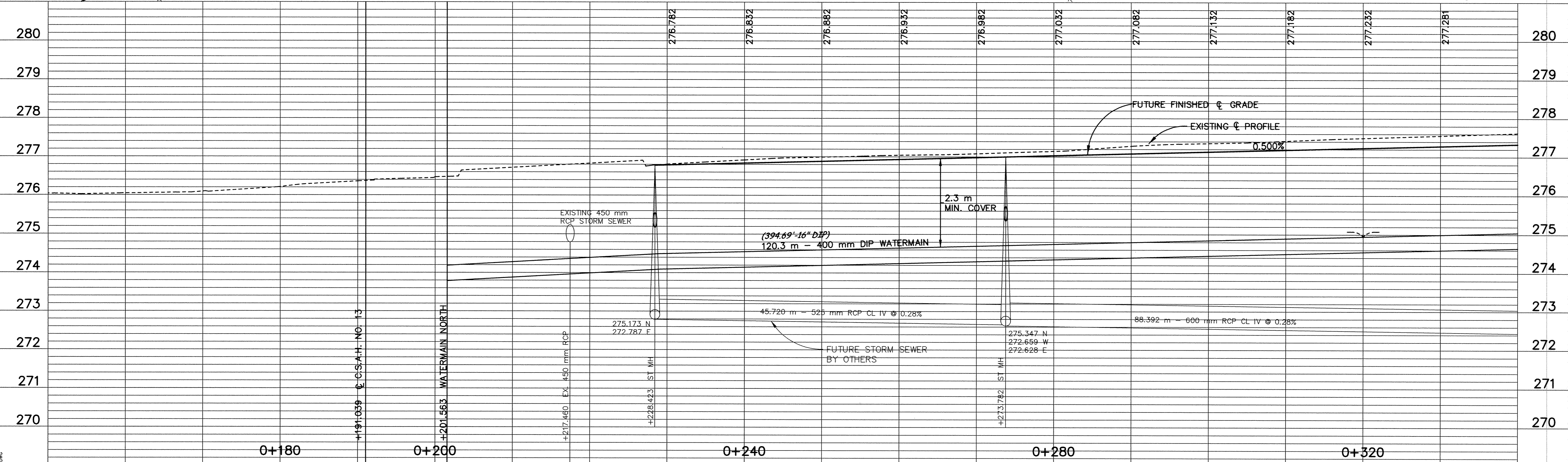
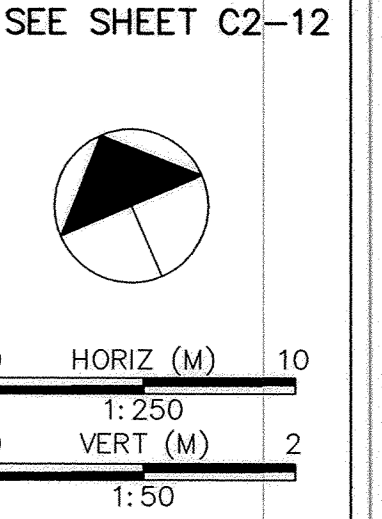


# C.S.A.H. NO.12

NOTE:  
INSTALL WATERMAIN  
2.3 METERS BELOW FUTURE  
FINISHED CENTERLINE GRADE

minnesota  
METRIC



DESIGNED BY: \_\_\_\_\_ JOB DATE: JULY 1998  
 DRAWN BY: *mgj* JOB NUMBER: 800110J  
 APPROVED: \_\_\_\_\_ CAD DATE: JULY 1998  
 CAD FILE: March 29, 2001 8:43:33 a.m.  
 800110j\AS-BUILT\AS\_BALDWIN-5TH\AS07.DWG

I HEREBY CERTIFY THAT THIS PLAN, SPECIFICATION, OR REPORT WAS PREPARED BY ME OR UNDER MY DIRECT SUPERVISION AND THAT I AM A DULY REGISTERED PROFESSIONAL ENGINEER UNDER THE LAWS OF THE STATE OF MINNESOTA.  
 DATE 10/15/98 REG. NO. 15316

NO.	DATE	BY	REVISION DESCRIPTION

**Howard R. Green Company**  
CONSULTING ENGINEERS

1326 ENERGY PARK DRIVE  
ST. PAUL, MINNESOTA 55108  
(612) 644-4389

**CITY OF ELK RIVER**  
EASTERN AREA  
PHASE I IMPROVEMENTS

**WATERMAIN IMPROVEMENTS**  
C.S.A.H. NO.12  
0+080 TO 0+320

SHEET NO.  
**C2-11**

DRAWING NUMBER: EX01E-98  
 SAICO PRODUCTS • NEW HOPE, MINNESOTA  
 REPORT BY PART NUMBER 8352  
 DRAWING NUMBER 8352