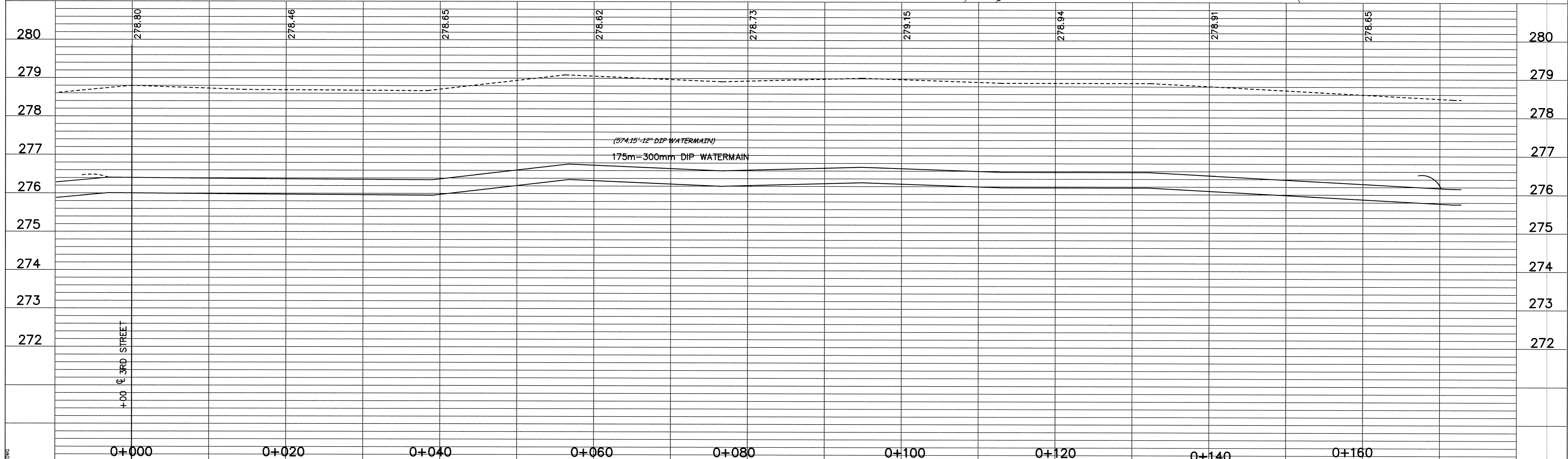
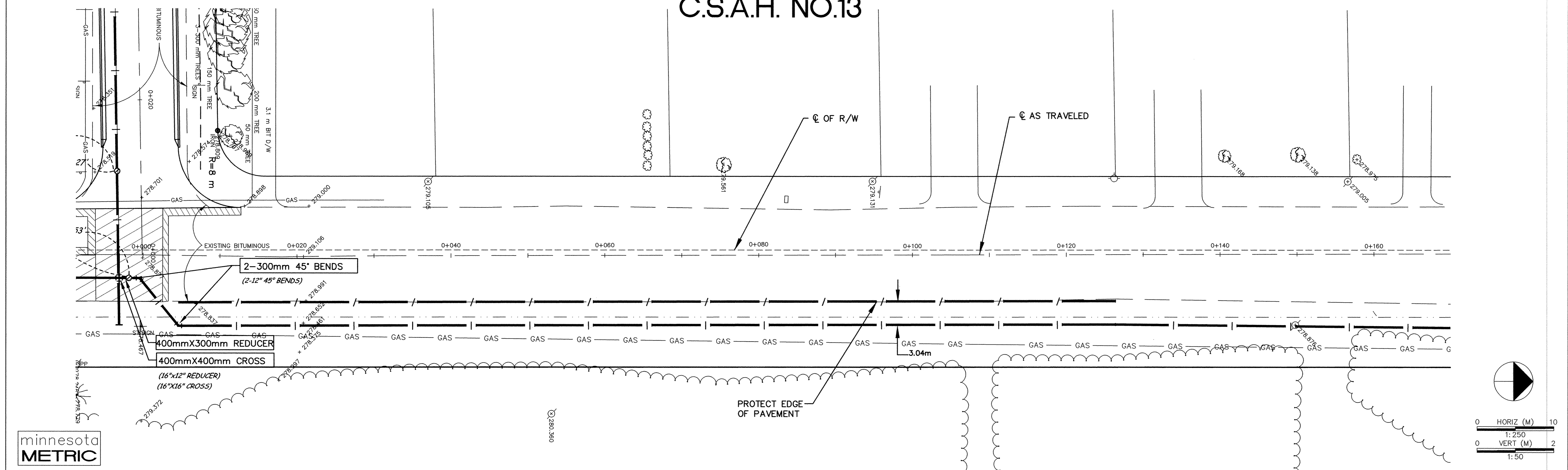
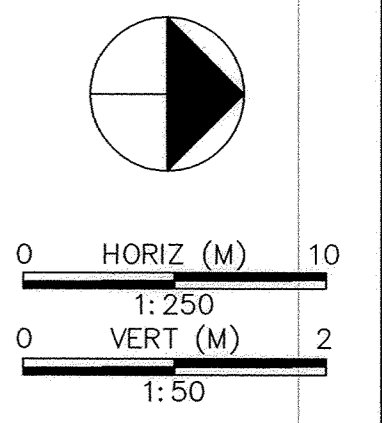


C.S.A.H. NO.13



minnesota
METRIC



DESIGNED BY: _____ JOB DATE: MARCH 1998
 DRAWN BY: _____ JOB NUMBER: 800110J
 APPROVED: _____ CAD DATE: MARCH 1998
 CAD FILE: March 21, 2001 12:33:35 p.m.
 800110J\AS-BUILTS\AS-BALDWIN-5TH_BASE\AS06A.DWG

I HEREBY CERTIFY THAT THIS PLAN, SPECIFICATION, OR REPORT WAS PREPARED BY ME OR UNDER MY DIRECT SUPERVISION AND THAT I AM A DULY REGISTERED PROFESSIONAL ENGINEER UNDER THE LAWS OF THE STATE OF MINNESOTA.
 DATE: _____ REG. NO.: 15316

NO.	DATE	BY	REVISION DESCRIPTION
1	1-21-99	PH	ADDED WM C.O. NO.1

1326 ENERGY PARK DRIVE
 ST. PAUL, MINNESOTA 55108
 (612) 644-4389

Howard R. Green Company
 CONSULTING ENGINEERS

CITY OF ELK RIVER
 EASTERN AREA
 PHASE I IMPROVEMENTS

STREET AND WATERMAIN IMPROVEMENTS
 C.S.A.H. NO.13
 0+000 TO 0+100

SHEET NO.
C2-2A

DRAWING NUMBER EAST198
 SAFCO PRODUCTS • NEW HOPE, MINNESOTA
 PRODUCT BY PART NUMBER 6532
 PREVIOUS EDITIONS OF PARTS OF THIS LINE
 DRAWING NUMBER 84