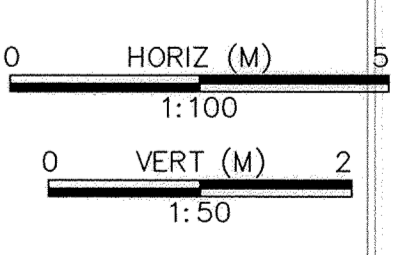
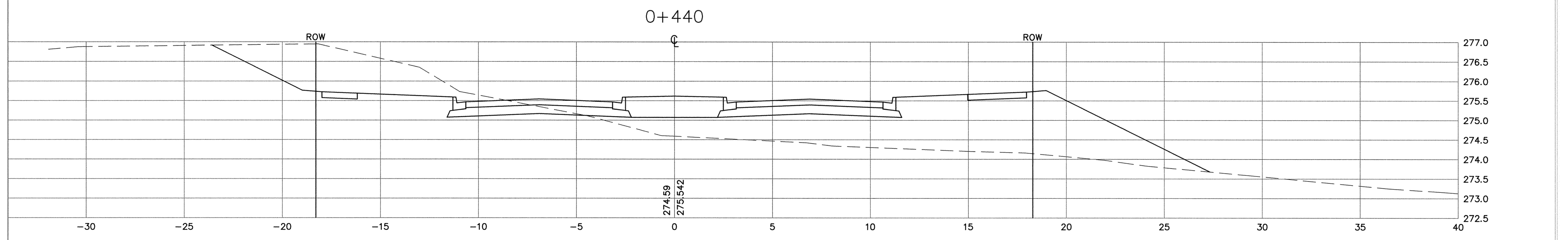
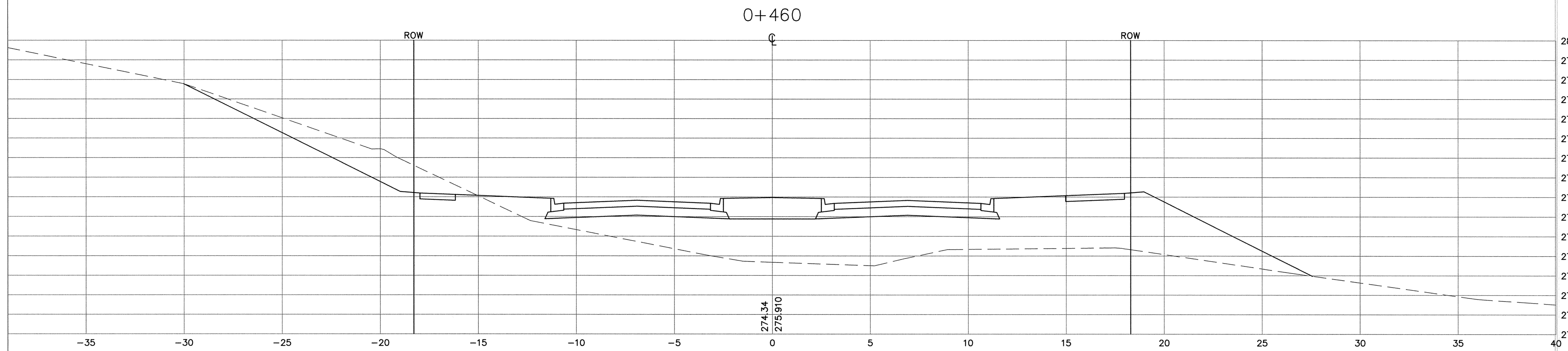



SACC PRODUCTS • NEW HURON, MINNESOTA
 REORDER BY PART NUMBER 8532
 SACC PRODUCTS • NEW HURON, MINNESOTA
 REORDER BY PART NUMBER 8532
 SACC PRODUCTS • NEW HURON, MINNESOTA
 REORDER BY PART NUMBER 8532
 SACC PRODUCTS • NEW HURON, MINNESOTA
 REORDER BY PART NUMBER 8532
 SACC PRODUCTS • NEW HURON, MINNESOTA
 REORDER BY PART NUMBER 8532
 EAST 1.98



Xref: XSEC_BASE.DWG
 DESIGNED BY: AB DRAWN BY: *off*
 APPROVED: --- JOB NUMBER: 800110J
 CAD DATE: October 09, 1998 2:15:45 p.m.
 CAD FILE: 800110j\Draws\NORTH_TYLER\X06.DWG

I HEREBY CERTIFY THAT THIS PLAN, SPECIFICATION,
 OR REPORT WAS PREPARED BY ME OR UNDER MY DIRECT
 SUPERVISION AND THAT I AM A DULY REGISTERED
 PROFESSIONAL ENGINEER UNDER THE LAWS OF THE
 STATE OF MINNESOTA.
 DATE: 10/15/98 REG. NO.: 15316

NO.	DATE	BY	REVISION DESCRIPTION


Howard R. Green Company
 CONSULTING ENGINEERS
 1326 ENERGY PARK DRIVE
 ST. PAUL, MINNESOTA 55108
 (612) 644-4389

CITY OF ELK RIVER
 EASTERN AREA
PHASE I IMPROVEMENTS

STREET AND UTILITY IMPROVEMENTS
 CROSS SECTIONS
 TYLER STREET NORTH 0+440 TO 0+460

SHEET NO.
C1-38X