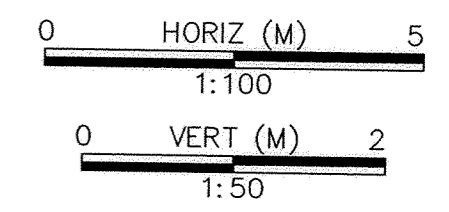
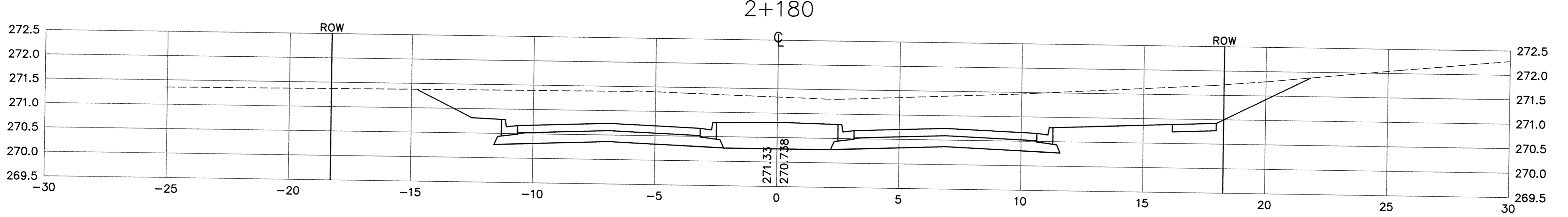
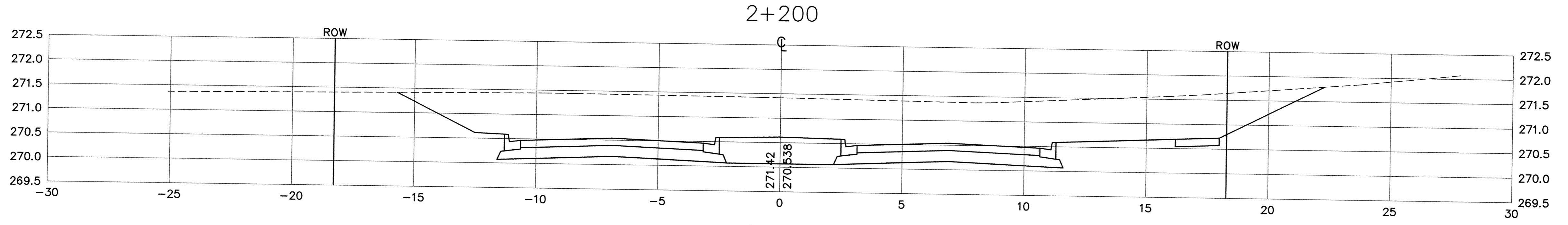
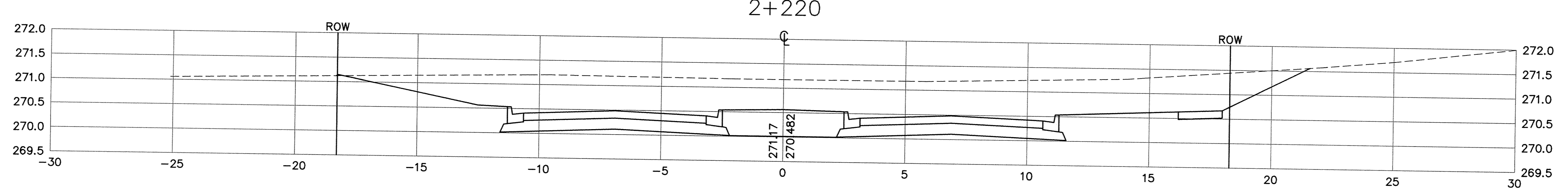
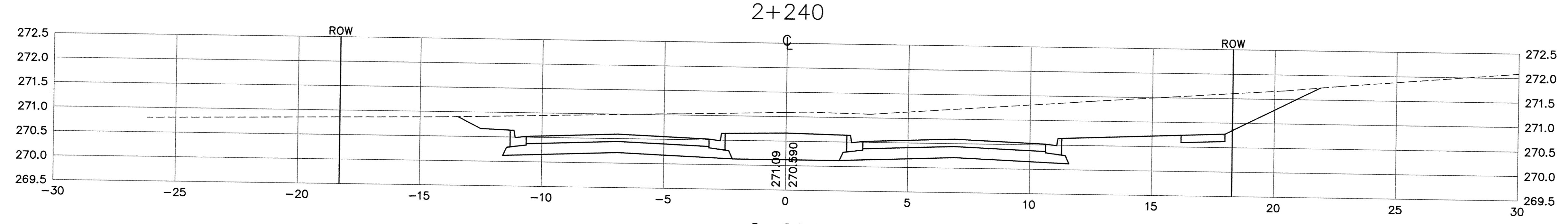
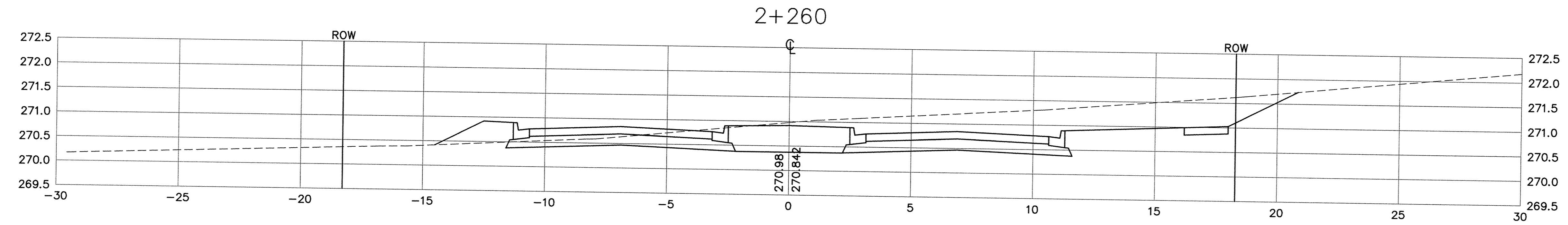


SARGO PRODUCTS • NEW HOPE, MINNESOTA
PROJECT NUMBER 8528
SARGO PRODUCTS • NEW HOPE, MINNESOTA
PROJECT NUMBER 8528
SARGO PRODUCTS • NEW HOPE, MINNESOTA
PROJECT NUMBER 8528
SARGO PRODUCTS • NEW HOPE, MINNESOTA
PROJECT NUMBER 8528



DESIGNED BY: AB DRAWN BY: *agj*
 APPROVED: --- JOB NUMBER 800110J
 CAD DATE: October 09, 1998 9:55:47 a.m.
 CAD FILE: 800110j\Dwgs\Tyler_BASE\X29.DWG

I HEREBY CERTIFY THAT THIS PLAN, SPECIFICATION, OR REPORT WAS PREPARED BY ME OR UNDER MY DIRECT SUPERVISION AND THAT I AM A DULY REGISTERED PROFESSIONAL ENGINEER UNDER THE LAWS OF THE STATE OF MINNESOTA.

DATE 10/15/98 REG. NO. 15316

NO.	DATE	BY	REVISION DESCRIPTION



1326 ENERGY PARK DRIVE
ST. PAUL, MINNESOTA 55108
(612) 644-4389

Howard R. Green Company
CONSULTING ENGINEERS

CITY OF ELK RIVER
EASTERN AREA
PHASE I IMPROVEMENTS

STREET AND UTILITY IMPROVEMENTS
CROSS SECTIONS
TYLER STREET 2+180 TO 2+260

SHEET NO.
C1-29X