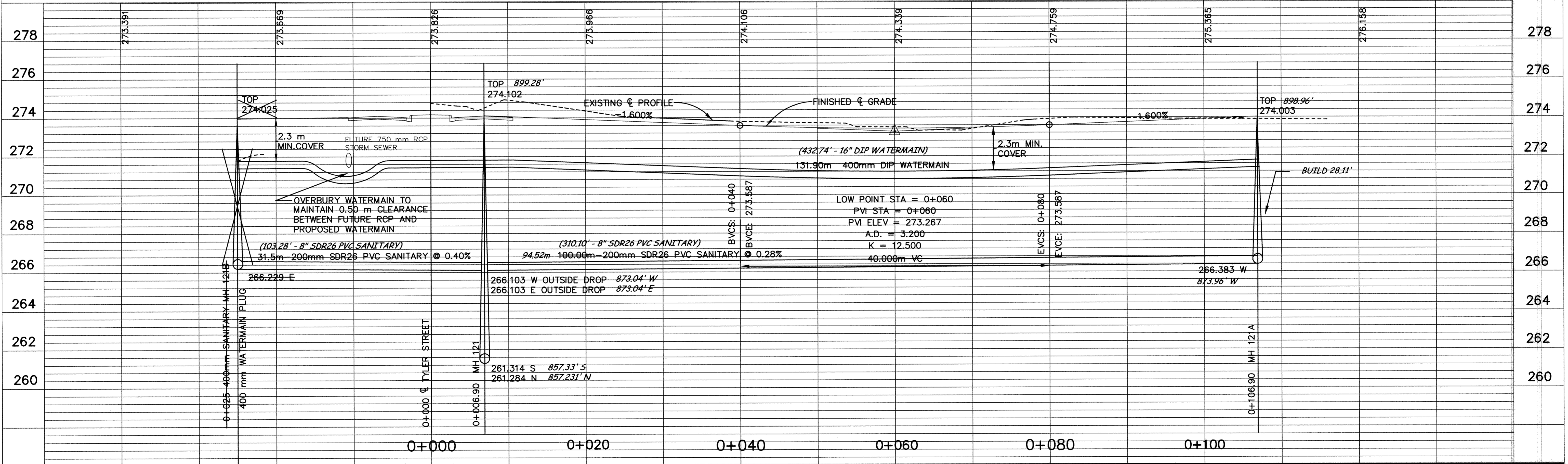
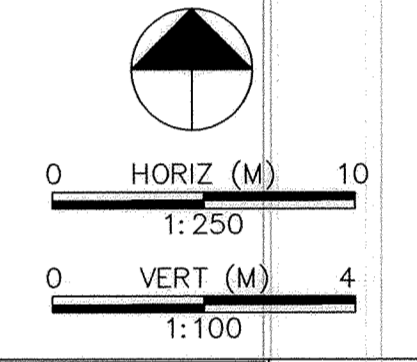
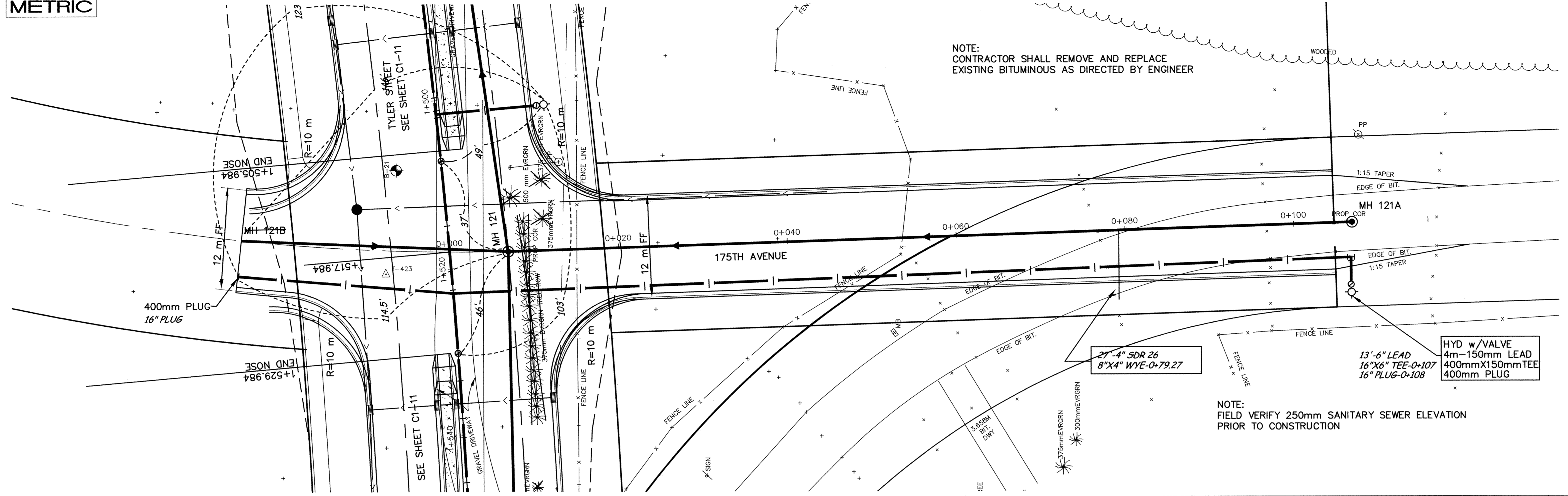


175TH AVENUE



DESIGNED BY: AB JOB DATE: OCT1998
 DRAWN BY: Job JOB NUMBER: 800110J
 APPROVED: CAD DATE:
 CAD FILE: October 09, 1998 7:34:17 a.m.
 800110J\Dwg\Tyler_BASE\17.DWG

I HEREBY CERTIFY THAT THIS PLAN, SPECIFICATION,
 OR REPORT WAS PREPARED BY ME OR UNDER MY DIRECT
 SUPERVISION AND THAT I AM A DULY REGISTERED
 PROFESSIONAL ENGINEER UNDER THE LAWS OF THE
 STATE OF MINNESOTA.

DATE: 10/15/98 REG. NO.: 15316

NO.	DATE	BY	REVISION DESCRIPTION

1326 ENERGY PARK DRIVE
 ST. PAUL, MINNESOTA 55108
 (612) 644-4389

Howard R. Green Company
 CONSULTING ENGINEERS

CITY OF ELK RIVER
 EASTERN AREA
 PHASE I IMPROVEMENTS

STREET AND UTILITY IMPROVEMENTS
 175TH AVENUE
 0+000 TO 1+006.9

SHEET NO.
C1-24