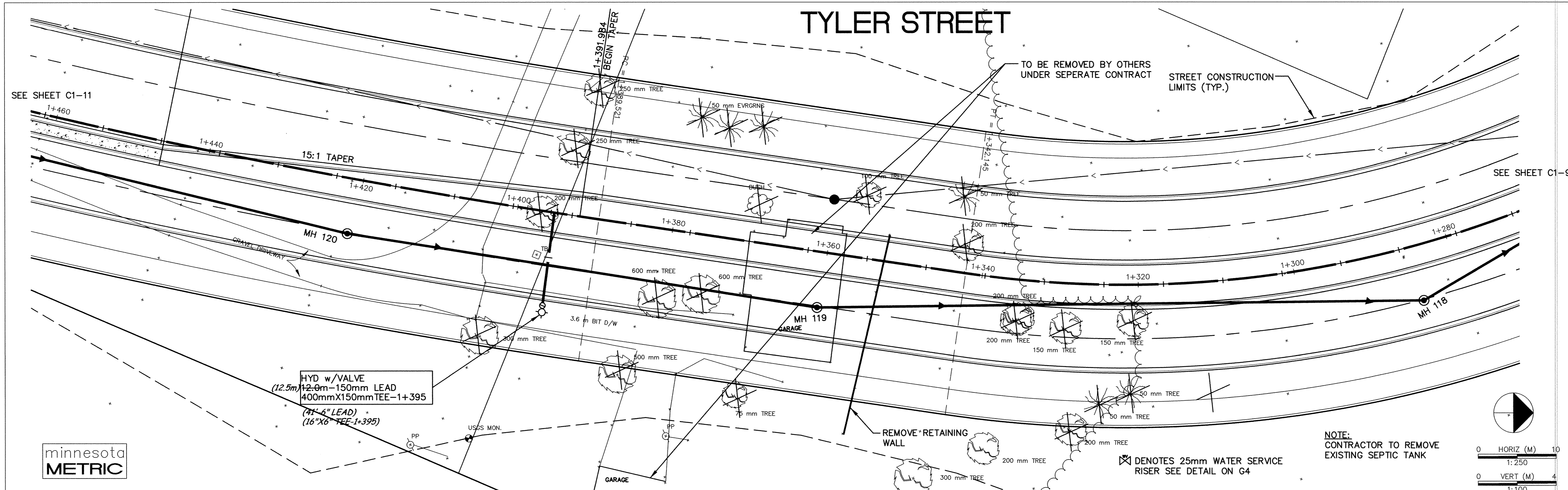


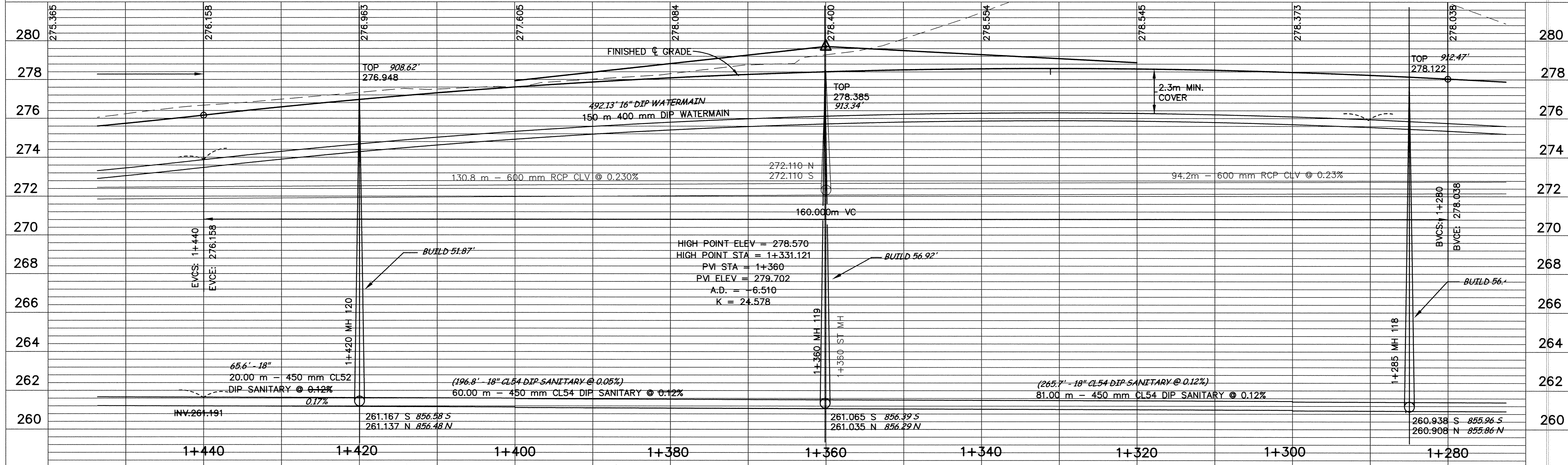
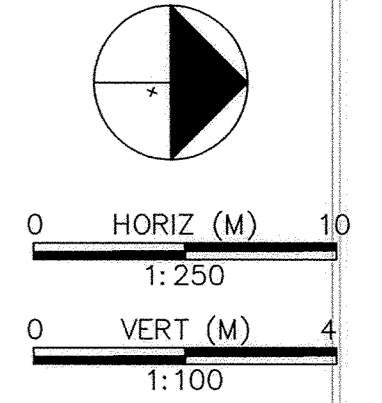
SARGO PRODUCTS • NEW HOPE, MINNESOTA  
 REVISION BY PART NUMBER 6582  
 SARGO PRODUCTS • NEW HOPE, MINNESOTA  
 REVISION BY PART NUMBER 6582  
 SARGO PRODUCTS • NEW HOPE, MINNESOTA  
 REVISION BY PART NUMBER 6582  
 SARGO PRODUCTS • NEW HOPE, MINNESOTA  
 REVISION BY PART NUMBER 6582

# TYLER STREET



minnesota  
**METRIC**

NOTE:  
CONTRACTOR TO REMOVE  
EXISTING SEPTIC TANK



DESIGNED BY: AB JOB DATE: MARCH 1998  
 DRAWN BY: [Signature] JOB NUMBER: 800110J  
 APPROVED: [Signature] CAD DATE:  
 CAD FILE: October 08, 1998 8:43:44 a.m.  
 800110J\Dwgs\Tyler\_BASE\09.DWG

I HEREBY CERTIFY THAT THIS PLAN, SPECIFICATION,  
 OR REPORT WAS PREPARED BY ME OR UNDER MY DIRECT  
 SUPERVISION AND THAT I AM A DULY REGISTERED  
 PROFESSIONAL ENGINEER UNDER THE LAWS OF THE  
 STATE OF MINNESOTA.  
 DATE: 10/15/98 REG. NO.: 15316

NO.	DATE	BY	REVISION DESCRIPTION

**Howard R. Green Company**  
 CONSULTING ENGINEERS  
 1326 ENERGY PARK DRIVE  
 ST. PAUL, MINNESOTA 55108  
 (612) 644-4389

**CITY OF ELK RIVER**  
 EASTERN AREA  
 PHASE I IMPROVEMENTS

**STREET AND UTILITY IMPROVEMENTS**  
 TYLER STREET  
 1+290 TO 1+440

SHEET NO.  
**C1-10**