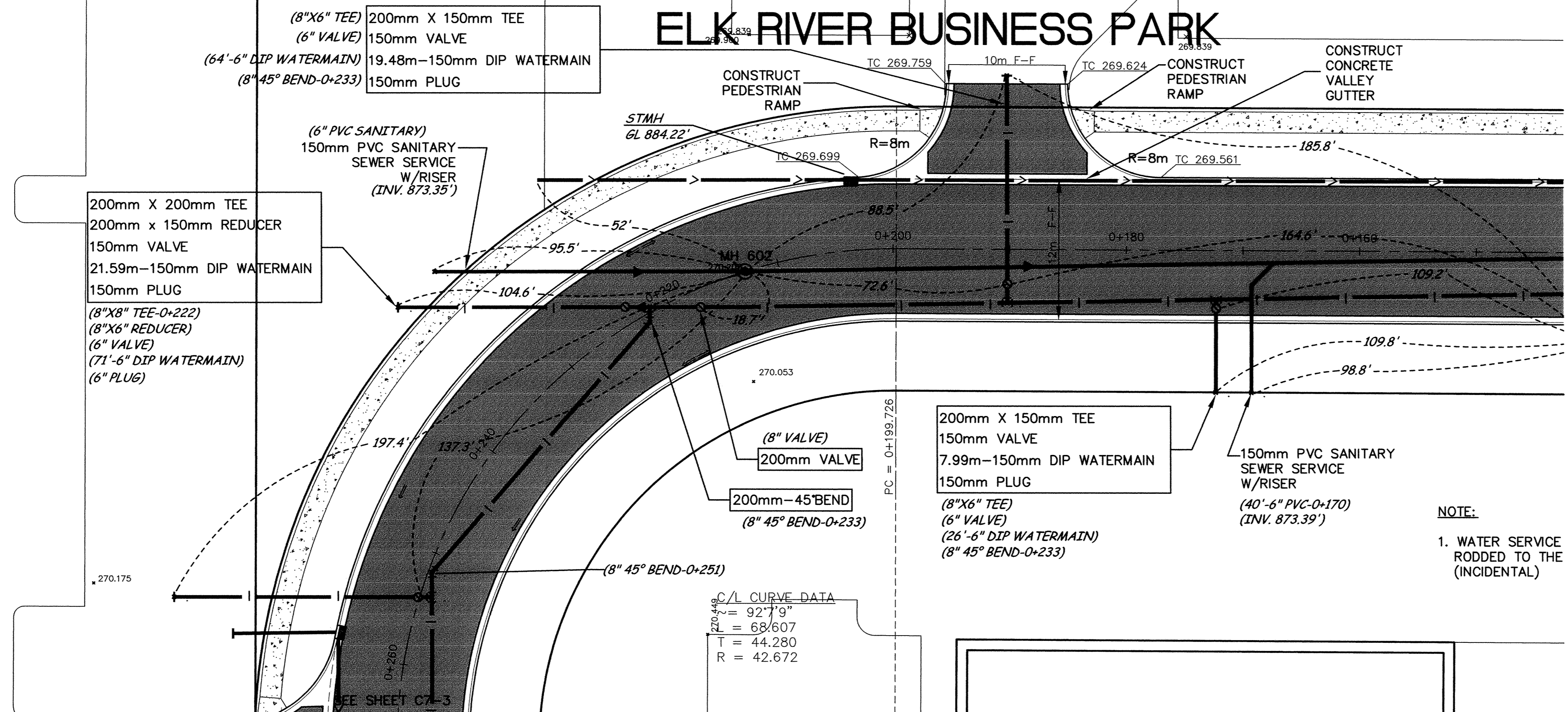
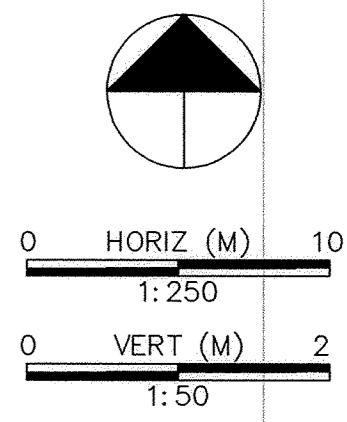


ELK RIVER BUSINESS PARK



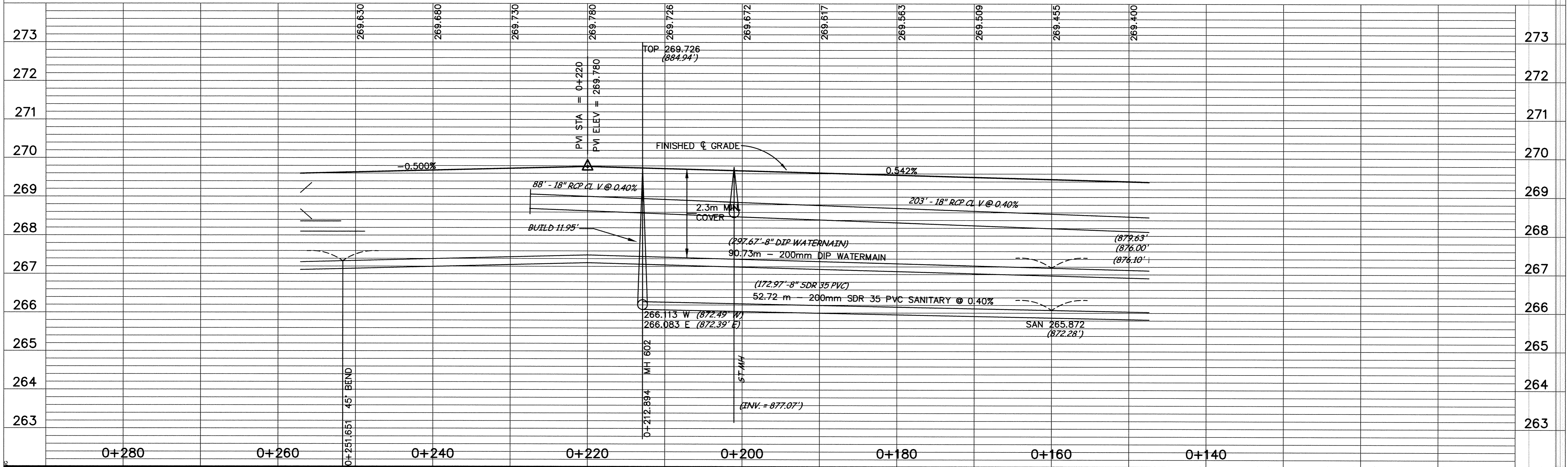
SEE SHEET C7-1

NOTE:
1. WATER SERVICE VALVES SHALL BE RODDED TO THE MAINLINE TEE. (INCIDENTAL)



C/L CURVE DATA

Δ	= 92.79°
L	= 68.607
T	= 44.280
R	= 42.672



DESIGNED BY: JA JOB DATE: FEB 1999
 DRAWN BY: LK JOB NUMBER: 800114J
 APPROVED: CAD DATE:
 CAD FILE: March 02, 1999 3:07:27 p.m.
 800114J_800114_P2.DWG

I HEREBY CERTIFY THAT THIS PLAN, SPECIFICATION, OR REPORT WAS PREPARED BY ME OR UNDER MY DIRECT SUPERVISION AND THAT I AM A DULY REGISTERED PROFESSIONAL ENGINEER UNDER THE LAWS OF THE STATE OF MINNESOTA.
 DATE: REG. NO.:

NO.	DATE	BY	REVISION DESCRIPTION
1	1/19/99	LK	CHANGE ORDER NO. 1

1326 ENERGY PARK DRIVE
 ST. PAUL, MINNESOTA 55108
 (612) 644-4389

Howard R. Green Company
 CONSULTING ENGINEERS

CITY OF ELK RIVER
EASTERN AREA
PHASE ONE IMPROVEMENTS

STREET AND UTILITY IMPROVEMENTS
ELK RIVER BUSINESS PARK
 0+160 TO 0+251.651

SHEET NO.
C7-2

SDCO PRODUCTS • NEW HOPE, MINNESOTA
 PREPARED BY PART NUMBER 6502
 SDCO PRODUCTS • NEW HOPE, MINNESOTA
 PREPARED BY PART NUMBER 6502
 SDCO PRODUCTS • NEW HOPE, MINNESOTA
 PREPARED BY PART NUMBER 6502
 SDCO PRODUCTS • NEW HOPE, MINNESOTA
 PREPARED BY PART NUMBER 6502