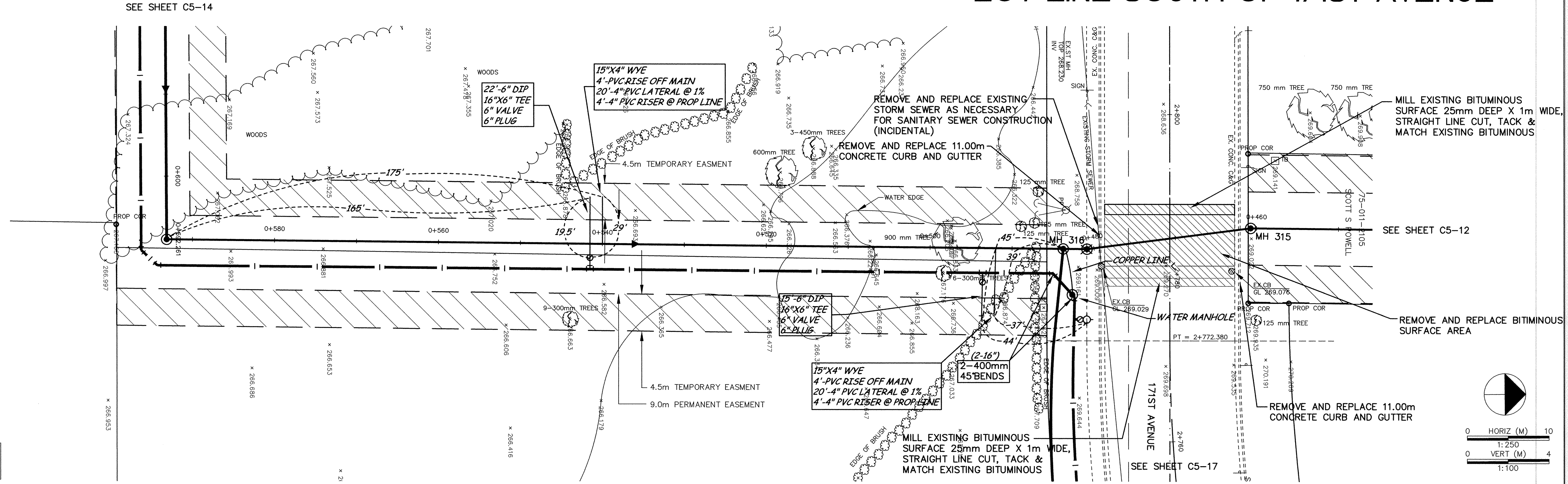
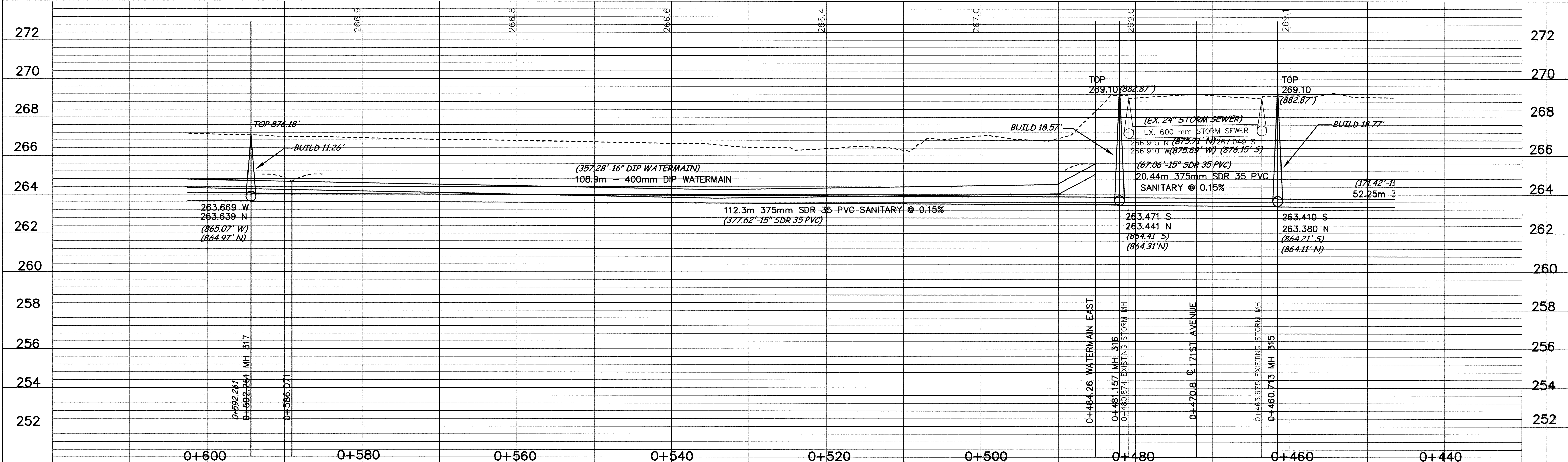
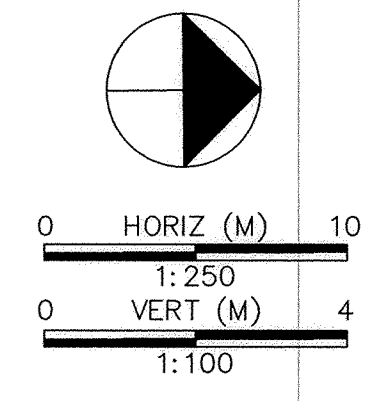


LOT LINE SOUTH OF 171ST AVENUE



minnesota
METRIC



DESIGNED BY: --- DRAWN BY: EY
 APPROVED: --- JOB NUMBER 800110J
 CAD DATE: October 14, 1998 2:10:31 p.m.
 CAD FILE: 800110J\Dwgs\HWY_10\C5-13.DWG

I HEREBY CERTIFY THAT THIS PLAN, SPECIFICATION, OR REPORT WAS PREPARED BY ME OR UNDER MY DIRECT SUPERVISION AND THAT I AM A DULY REGISTERED PROFESSIONAL ENGINEER UNDER THE LAWS OF THE STATE OF MINNESOTA.
 DATE 8/2/99 REG. NO. 15316

NO.	DATE	BY	REVISION DESCRIPTION
1	8/2/99	EY	REV. SANITARY AND WATERMAIN ALIGNMENT

1326 ENERGY PARK DRIVE
ST. PAUL, MINNESOTA 55108
(612) 644-4389

Howard R. Green Company
CONSULTING ENGINEERS

CITY OF ELK RIVER
EASTERN AREA
PHASE I IMPROVEMENTS

**TRUNK WATERMAIN AND
SANITARY SEWER IMPROVEMENTS**
LOT LINE SOUTH OF 171ST AVENUE
0+460.713 TO 0+589.071

SHEET NO.
C5-13

DRAWING NUMBER EASTE1498
 DRAWING NUMBER 149
 SAFCO PRODUCTS • NEW HOPE, MINNESOTA
 REMEMBER BY PART NUMBER 9592