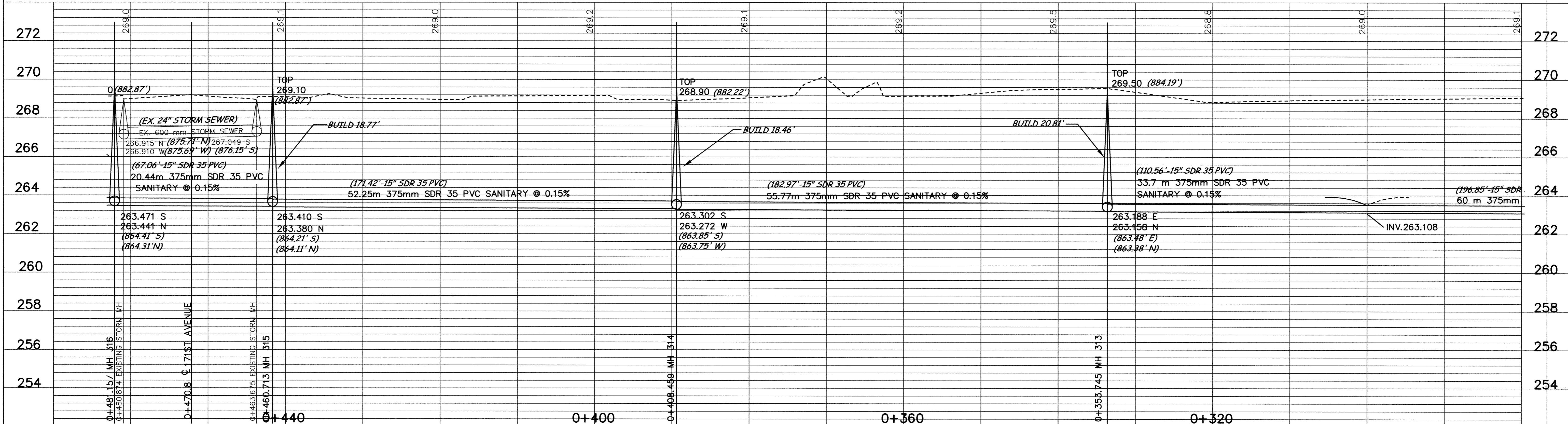
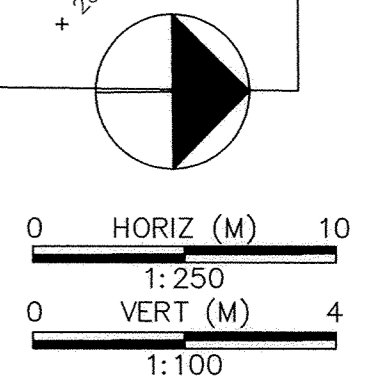
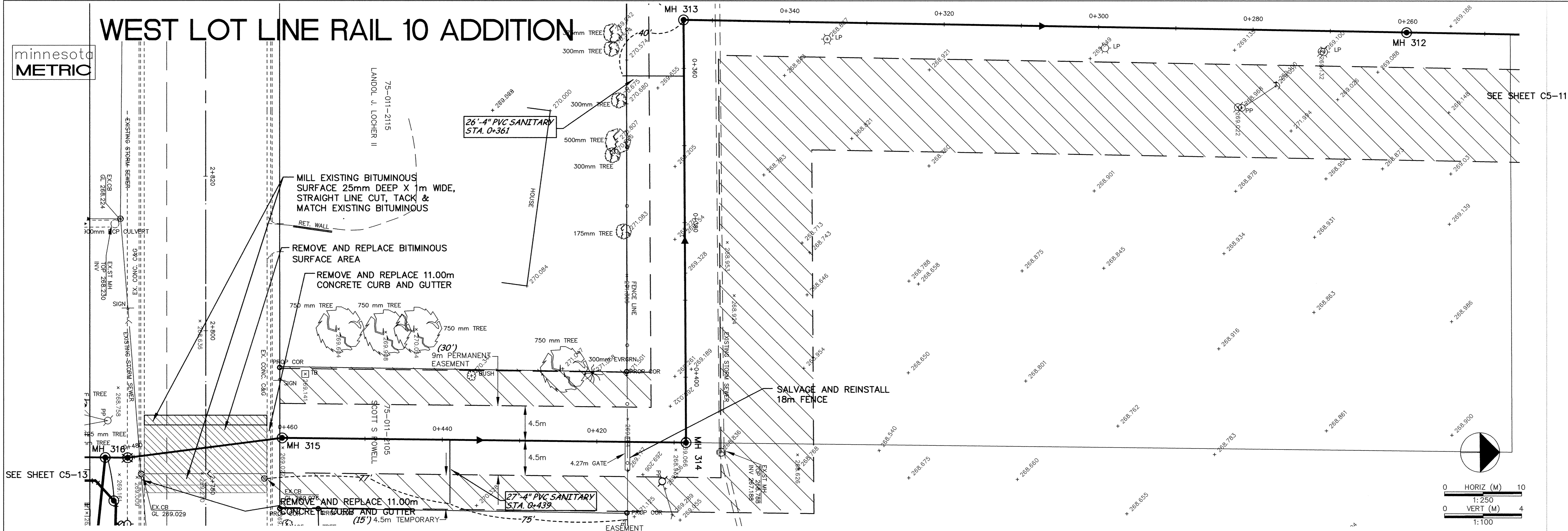


# WEST LOT LINE RAIL 10 ADDITION



DESIGNED BY: --- DRAWN BY: EY  
 APPROVED: --- JOB NUMBER 800110J  
 CAD DATE: March 10, 1999 9:34:38 a.m.  
 CAD FILE: 800110\DWG\HWY\_10\C5-12.DWG

I HEREBY CERTIFY THAT THIS PLAN, SPECIFICATION, OR REPORT WAS PREPARED BY ME OR UNDER MY DIRECT SUPERVISION AND THAT I AM A DULY REGISTERED PROFESSIONAL ENGINEER UNDER THE LAWS OF THE STATE OF MINNESOTA.  
 DATE 10/15/98 REG. NO. 15316

NO.	DATE	BY	REVISION DESCRIPTION
1	1-19-99	PH	RE-ALIGN SANITARY SEWER

**Howard R. Green Company**  
 CONSULTING ENGINEERS  
 1326 ENERGY PARK DRIVE  
 ST. PAUL, MINNESOTA 55108  
 (612) 644-4389

**CITY OF ELK RIVER**  
 EASTERN AREA  
 PHASE I IMPROVEMENTS

**TRUNK WATERMAIN AND  
 SANITARY SEWER IMPROVEMENTS**  
 WEST LOT LINE RAIL 10 ADDITION  
 0+320 TO 0+460.713

SHEET NO.  
**C5-12**