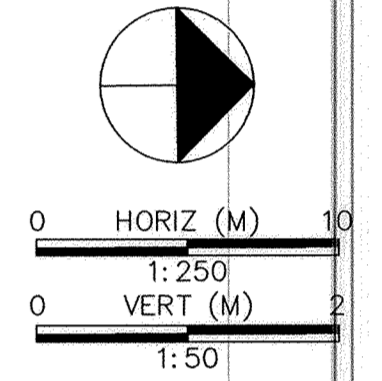
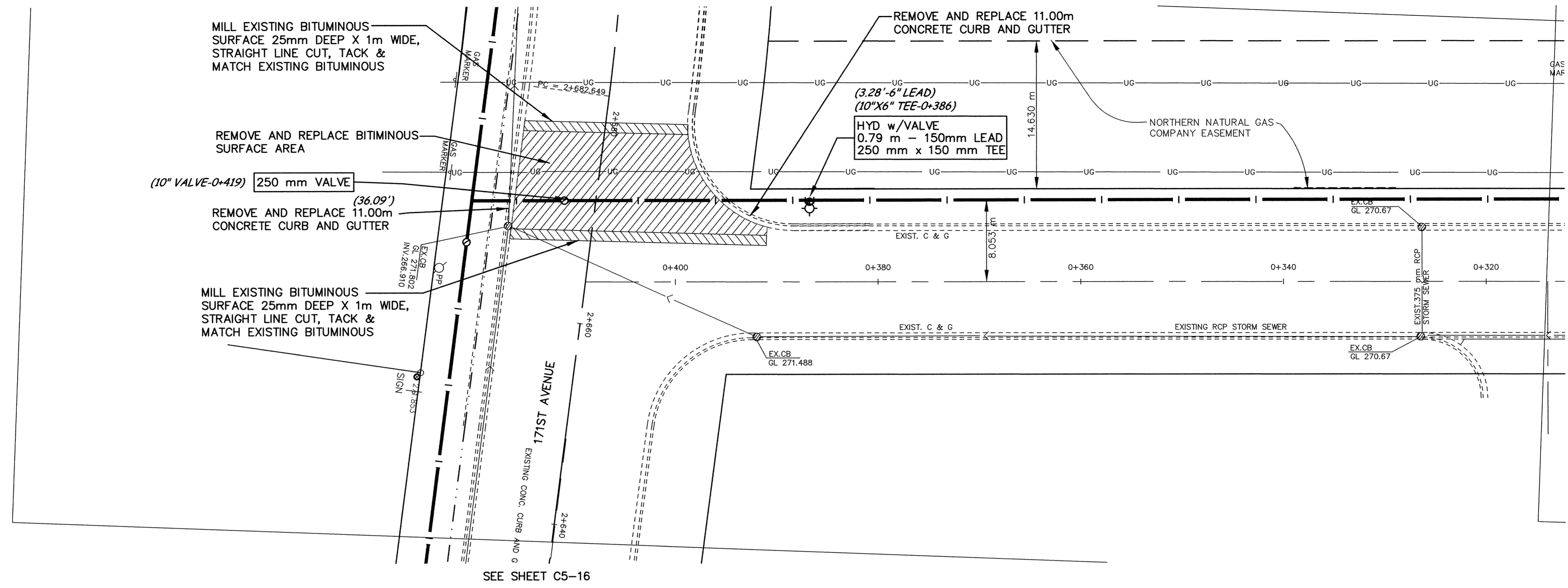
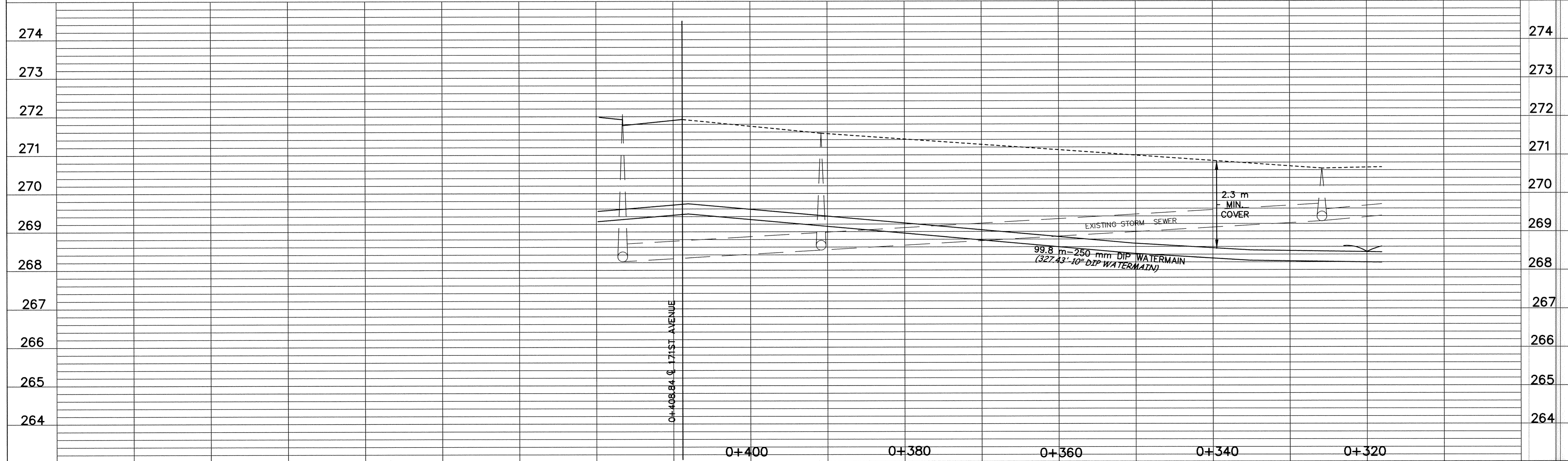


ULYSSES STREET

SEE SHEET C5-17



minnesota
METRIC



DESIGNED BY: --- DRAWN BY: EY
 APPROVED: --- JOB NUMBER 800110J
 CAD DATE: October 14, 1998 2:01:01 p.m.
 CAD FILE: 800110\Dwgs\HWY_10\C5-9.DWG

I HEREBY CERTIFY THAT THIS PLAN, SPECIFICATION, OR REPORT WAS PREPARED BY ME OR UNDER MY DIRECT SUPERVISION AND THAT I AM A DULY REGISTERED PROFESSIONAL ENGINEER UNDER THE LAWS OF THE STATE OF MINNESOTA.
 DATE 10/15/98 REG. NO. 15316

NO.	DATE	BY	REVISION DESCRIPTION

1326 ENERGY PARK DRIVE
 ST. PAUL, MINNESOTA 55108
 (612) 644-4389

Howard R. Green Company
 CONSULTING ENGINEERS

CITY OF ELK RIVER
 EASTERN AREA
 PHASE I IMPROVEMENTS

TRUNK WATERMAIN AND
 SANITARY SEWER IMPROVEMENTS
 ULYSSES STREET
 0+320 TO 0+408.84

SHEET NO.
C5-9