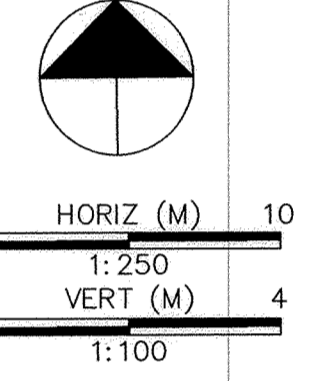
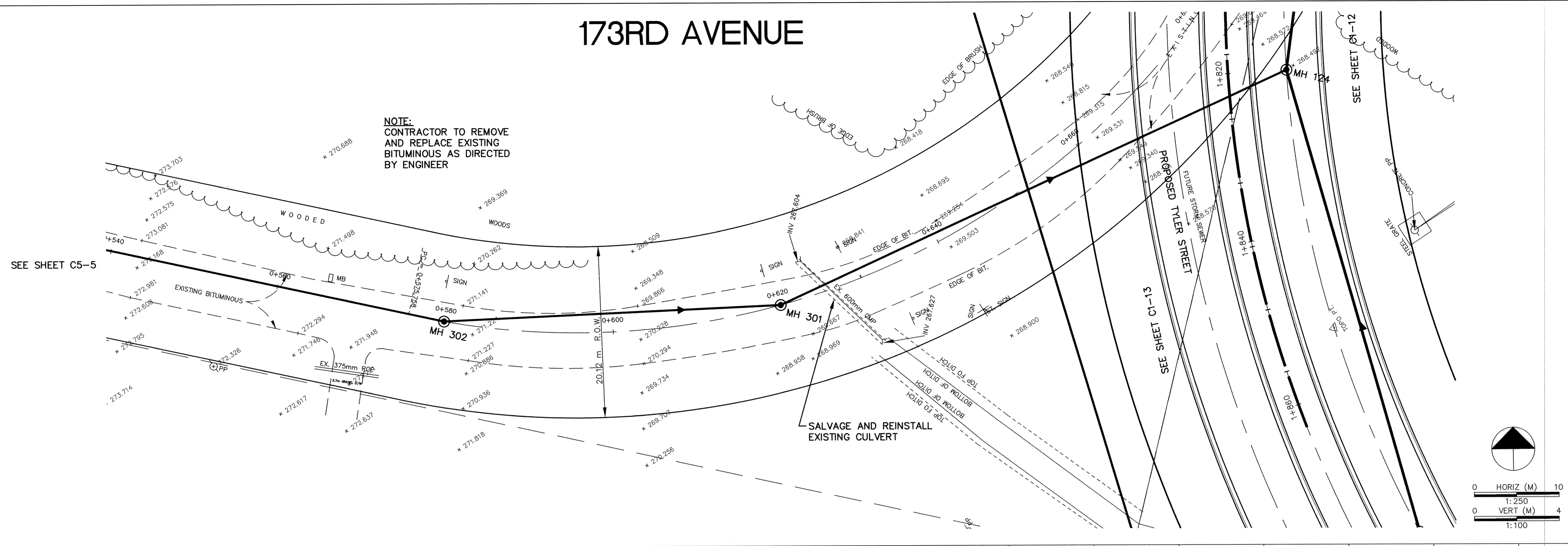
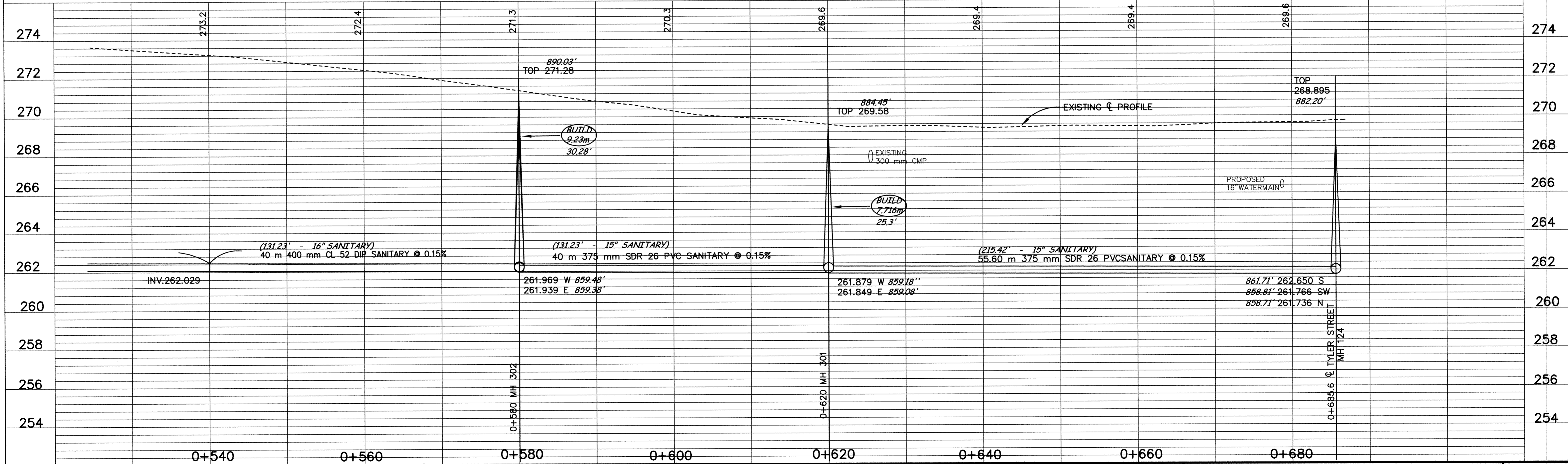


173RD AVENUE

NOTE:
CONTRACTOR TO REMOVE
AND REPLACE EXISTING
BITUMINOUS AS DIRECTED
BY ENGINEER



minnesota
METRIC



DESIGNED BY: --- DRAWN BY: EY
 APPROVED: --- JOB NUMBER 800110J
 CAD DATE: April 04, 2001 11:21:20 a.m.
 CAD FILE: 800110\AS-BUILTS\AS_Hwy169_Hwy10_173rd AS-C5-6.dwg

I HEREBY CERTIFY THAT THIS PLAN, SPECIFICATION, OR REPORT WAS PREPARED BY ME OR UNDER MY DIRECT SUPERVISION AND THAT I AM A DULY REGISTERED PROFESSIONAL ENGINEER UNDER THE LAWS OF THE STATE OF MINNESOTA.

NO.	DATE	BY	REVISION DESCRIPTION

Howard R. Green Company
CONSULTING ENGINEERS

1326 ENERGY PARK DRIVE
ST. PAUL, MINNESOTA 55108
(612) 644-4389

CITY OF ELK RIVER
EASTERN AREA
PHASE I IMPROVEMENTS

**TRUNK WATERMAIN AND
SANITARY SEWER IMPROVEMENTS**
173RD AVENUE
0+540 TO 0+685.6

SHEET NO.
C5-6