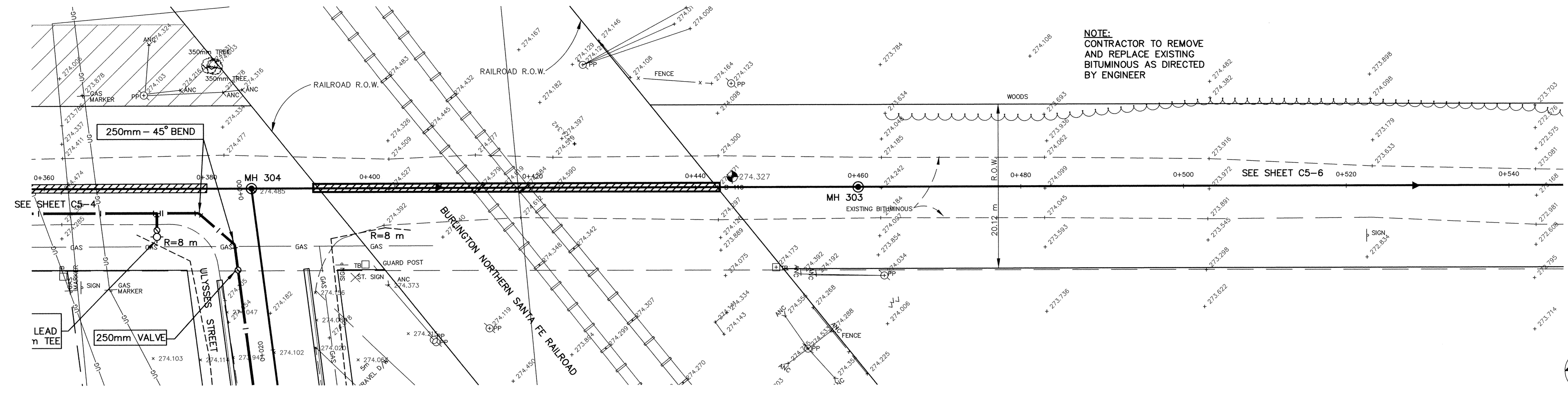
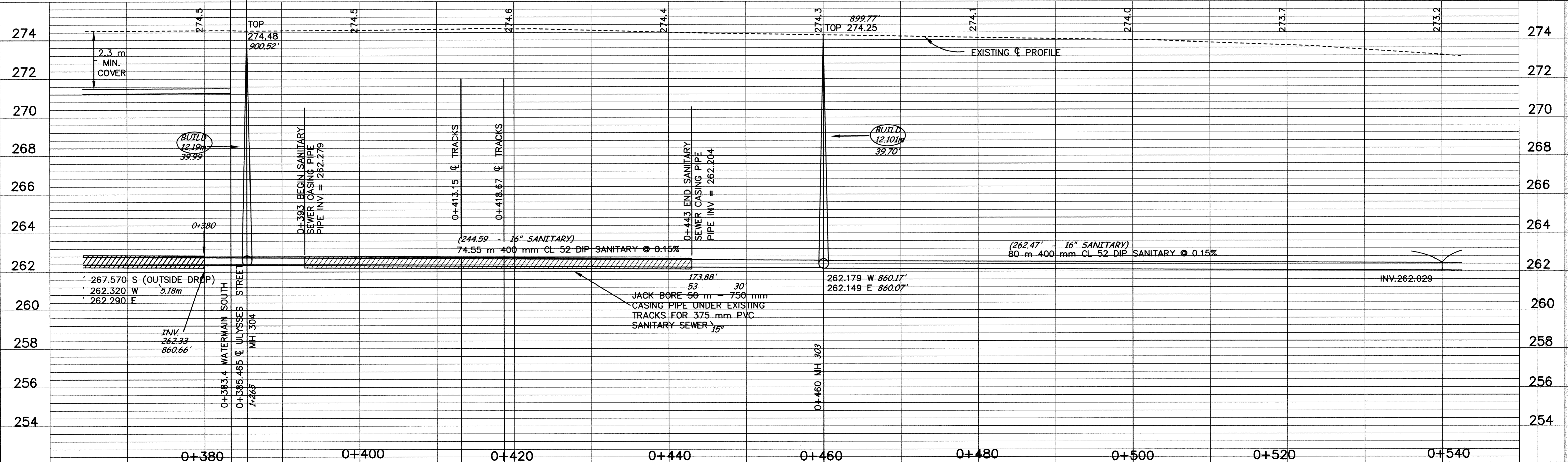
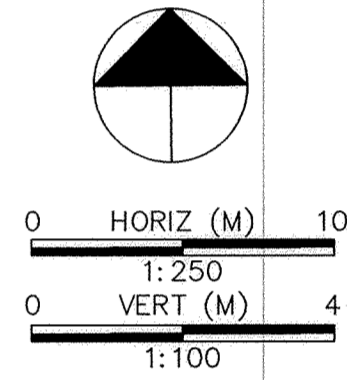


173RD AVENUE



NOTE:
CONTRACTOR TO REMOVE
AND REPLACE EXISTING
BITUMINOUS AS DIRECTED
BY ENGINEER

minnesota
METRIC



DESIGNED BY: --- DRAWN BY: EY
APPROVED: --- JOB NUMBER 800110J
CAD DATE: April 04, 2001 11:24:10 a.m.
CAD FILE: 800110\AS-BUILTS\AS_HWY169_HWY10_173RD_VS_C5-5.DWG

I HEREBY CERTIFY THAT THIS PLAN, SPECIFICATION,
OR REPORT WAS PREPARED BY ME OR UNDER MY DIRECT
SUPERVISION AND THAT I AM A DULY REGISTERED
PROFESSIONAL ENGINEER UNDER THE LAWS OF THE
STATE OF MINNESOTA.
DATE: 10/18/03 REG. NO. 15316

NO.	DATE	BY	REVISION DESCRIPTION

1326 ENERGY PARK DRIVE
ST. PAUL, MINNESOTA 55108
(612) 644-4389
Howard R. Green Company
CONSULTING ENGINEERS

CITY OF ELK RIVER
EASTERN AREA
PHASE I IMPROVEMENTS

**TRUNK WATERMAIN AND
SANITARY SEWER IMPROVEMENTS**
173RD AVENUE
0+385.465 TO 0+540

SHEET NO.
C5-5

DRAWING NUMBER: EASTE1-98
SHEET NO. 141
SANDO PRODUCTS • NEW HOPE, MINNESOTA
REVISION BY PART NUMBER 0028