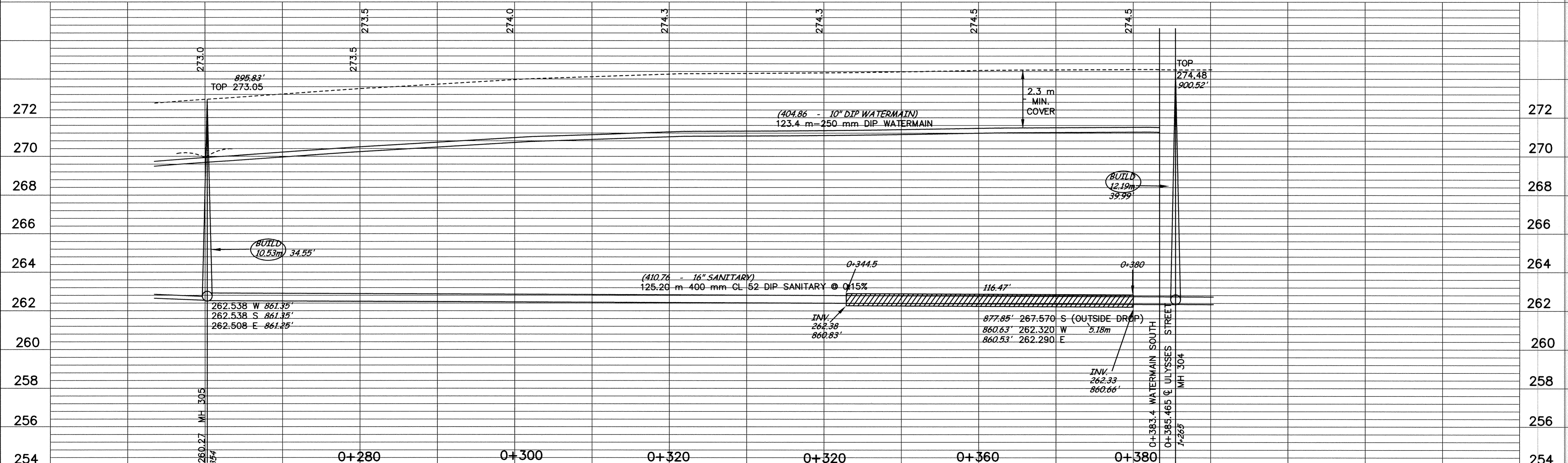
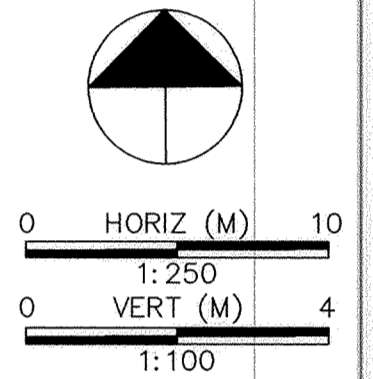
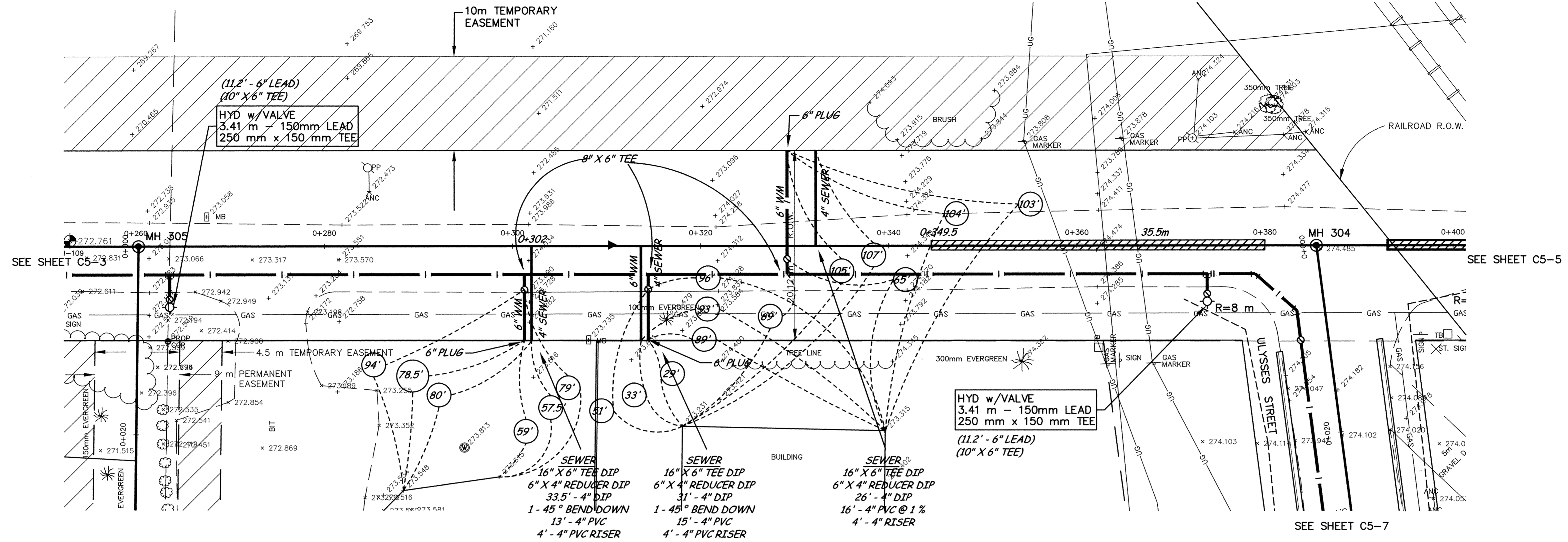


173RD AVENUE



DESIGNED BY: --- DRAWN BY: EY
 APPROVED: --- JOB NUMBER 800110J
 CAD DATE: April 04, 2001 1:53:43 p.m.
 CAD FILE: 800110j\AS-BUILTS\AS-HWY169-HWY10_173RD\AS_C5-4.DWG
 DATE: 04/16/01 REG. NO. 15316

NO.	DATE	BY	REVISION DESCRIPTION



Howard R. Green Company
 CONSULTING ENGINEERS

1326 ENERGY PARK DRIVE
 ST. PAUL, MINNESOTA 55108
 (612) 644-4389

CITY OF ELK RIVER
 EASTERN AREA
 PHASE I IMPROVEMENTS

**TRUNK WATERMAIN AND
 SANITARY SEWER IMPROVEMENTS**
 173RD AVENUE
 0+260.27 TO 0+385.465

SHEET NO.
C5-4

3/10/2001 10:53:43 AM
 PROJECT: AS-BASEHWY-10.DWG
 SHEET: C5-4
 EAST 1.98