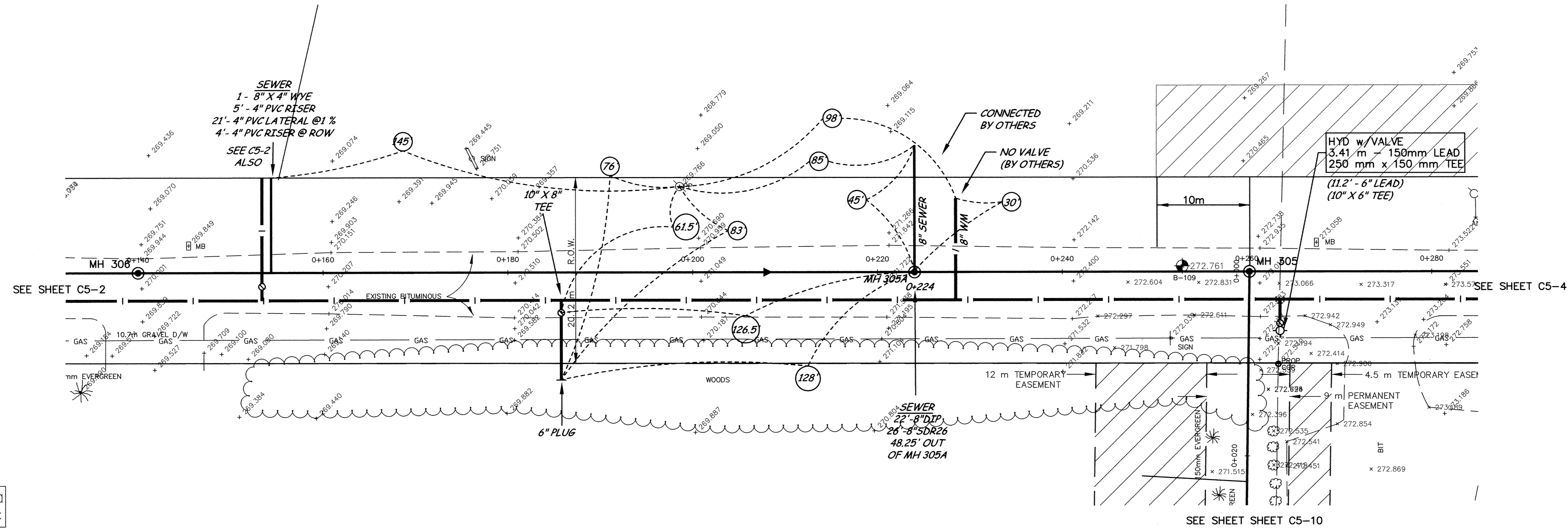
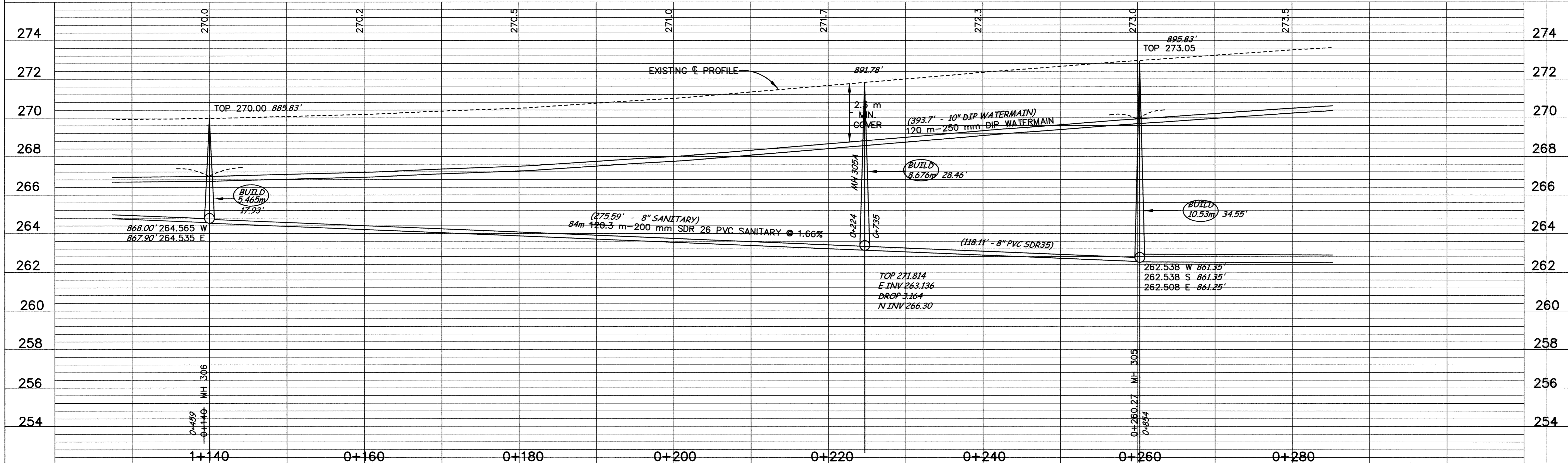
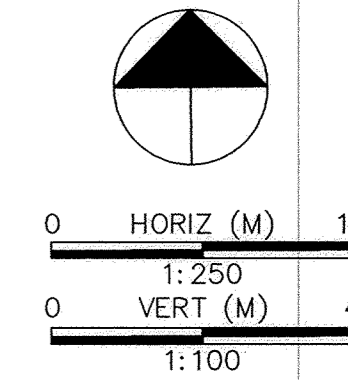


173RD AVENUE



minnesota
METRIC



DESIGNED BY: --- DRAWN BY: EY
APPROVED: --- JOB NUMBER 800110J
CAD DATE: April 04, 2001 3:19:53 p.m.
CAD FILE: 800110\AS-BUILTS\AS_HWY169_HWY10_173RD_AS_C5-3.DWG

I HEREBY CERTIFY THAT THIS PLAN, SPECIFICATION, OR REPORT WAS PREPARED BY ME OR UNDER MY DIRECT SUPERVISION AND THAT I AM A DULY REGISTERED PROFESSIONAL ENGINEER UNDER THE LAWS OF THE STATE OF MINNESOTA.
DATE: 4/10/01 REG. NO. 15316

NO.	DATE	BY	REVISION DESCRIPTION

1326 ENERGY PARK DRIVE
ST. PAUL, MINNESOTA 55108
(612) 644-4389

Howard R. Green Company
CONSULTING ENGINEERS

CITY OF ELK RIVER
EASTERN AREA
PHASE I IMPROVEMENTS

**TRUNK WATERMAIN AND
SANITARY SEWER IMPROVEMENTS**
173RD AVENUE
0+140 TO 0+260.27

SHEET NO.
C5-3

DRAWING NUMBER EAST 1.09
DRAWING NUMBER 139
DRAWING NUMBER 139
DRAWING NUMBER 139
DRAWING NUMBER 139
DRAWING NUMBER 139

SD/CD PRODUCTS • NEW HOPE, MINNESOTA
RENDER BY PART NUMBER 6532
SD/CD PRODUCTS • NEW HOPE, MINNESOTA
RENDER BY PART NUMBER 6532
SD/CD PRODUCTS • NEW HOPE, MINNESOTA
RENDER BY PART NUMBER 6532
SD/CD PRODUCTS • NEW HOPE, MINNESOTA
RENDER BY PART NUMBER 6532