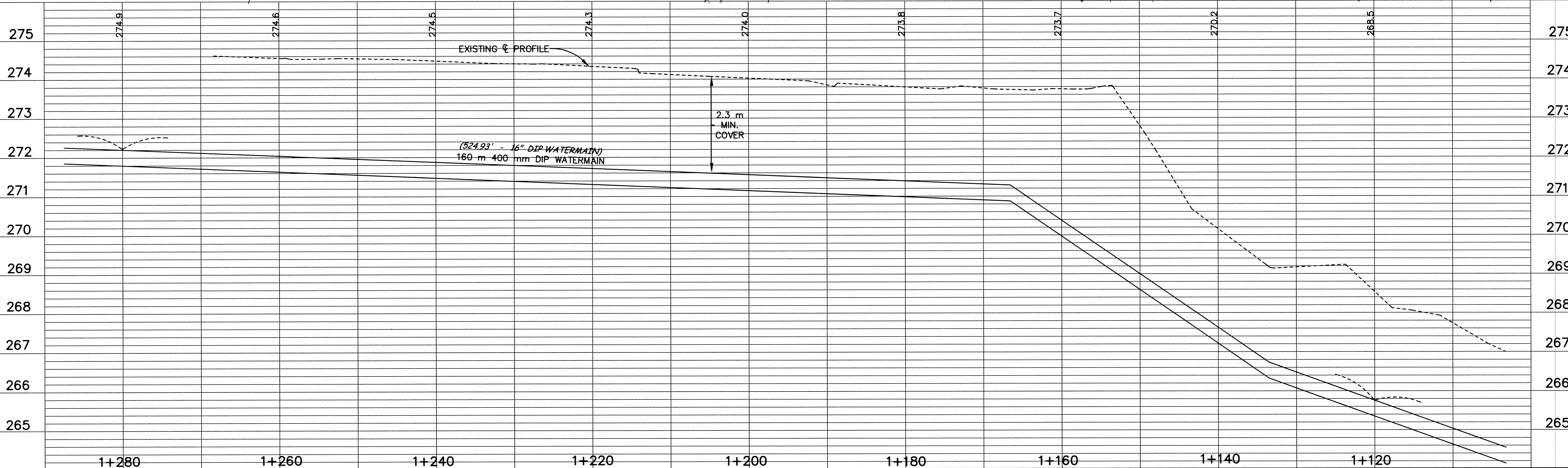
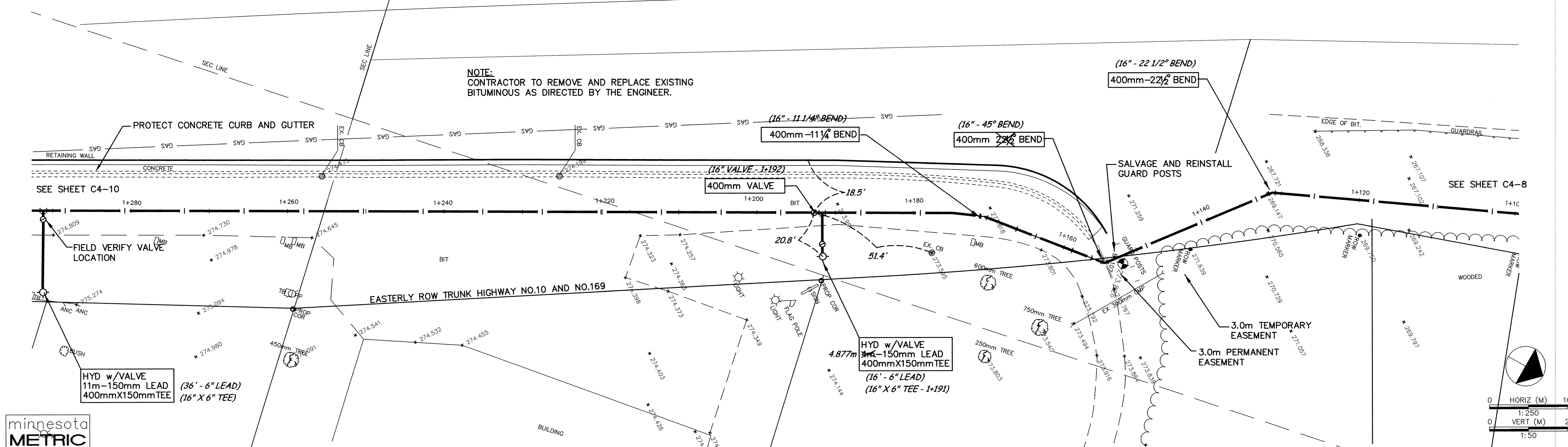
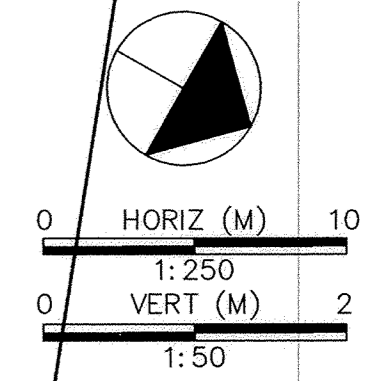


TRUNK HIGHWAY NO.10 AND NO.169 ROW



NOTE:
CONTRACTOR TO REMOVE AND REPLACE EXISTING BITUMINOUS AS DIRECTED BY THE ENGINEER.

minnesota
METRIC



DESIGNED BY: --- DRAWN BY: EY
 APPROVED: --- JOB NUMBER 800110J
 CAD DATE: March 30, 2001 8:20:39 a.m.
 CAD FILE: 800110j\AS-BUILTS\AS_HWY169\AS_HWY_10.DWG

I HEREBY CERTIFY THAT THIS PLAN, SPECIFICATION, OR REPORT WAS PREPARED BY ME OR UNDER MY DIRECT SUPERVISION AND THAT I AM A DULY REGISTERED PROFESSIONAL ENGINEER UNDER THE LAWS OF THE STATE OF MINNESOTA.

NO.	DATE	BY	REVISION DESCRIPTION

Howard R. Green Company
CONSULTING ENGINEERS

1326 ENERGY PARK DRIVE
ST. PAUL, MINNESOTA 55108
(612) 644-4389

CITY OF ELK RIVER
EASTERN AREA
PHASE I IMPROVEMENTS

TRUNK WATERMAIN IMPROVEMENTS
TRUNK HIGHWAY NO.10 AND NO.169 ROW

1+120 TO 1+280

SHEET NO.
C4-9

DRAWING NUMBER

DRAWING NUMBER

DRAWING NUMBER

DRAWING NUMBER
129