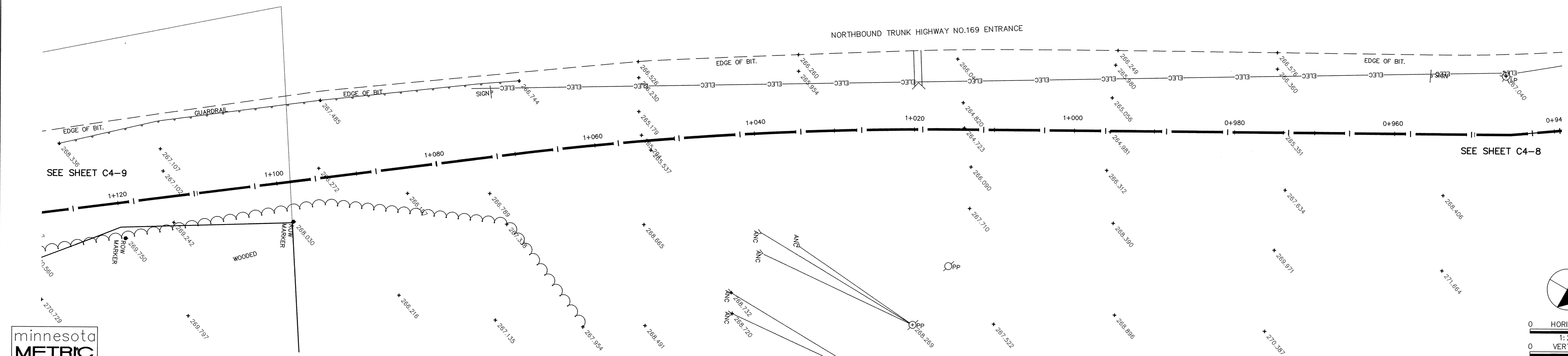
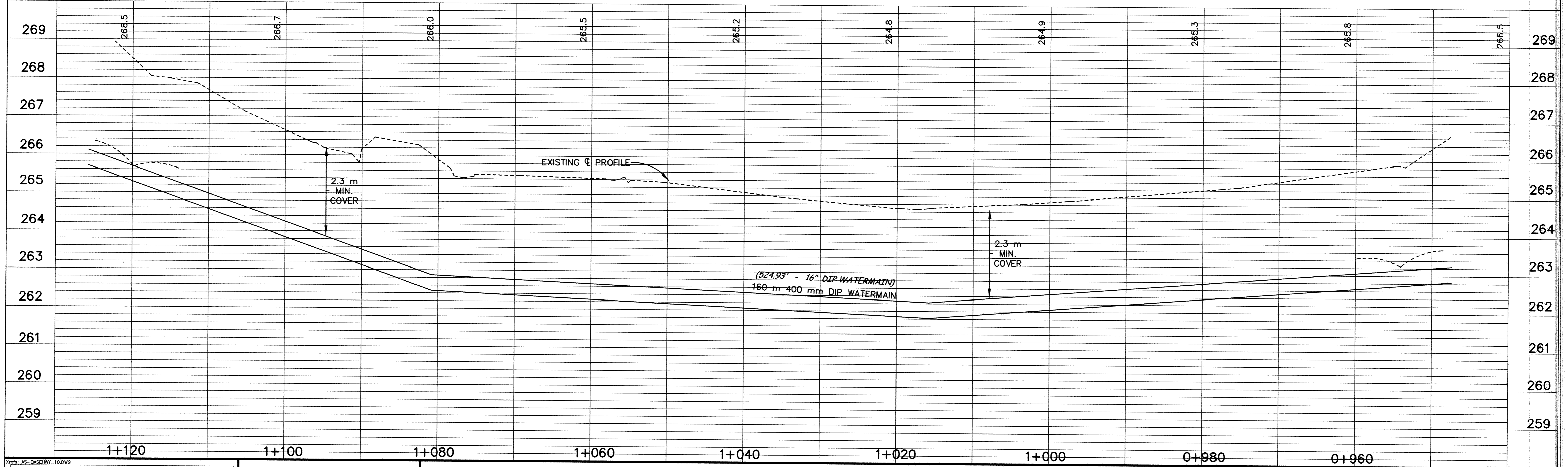
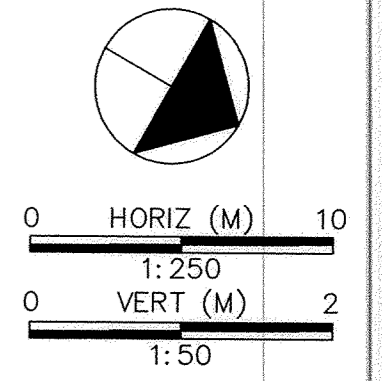


TRUNK HIGHWAY NO.10 AND NO.169 ROW



minnesota
METRIC



DESIGNED BY: --- DRAWN BY: EY
 APPROVED: --- JOB NUMBER 800110J
 CAD DATE: March 30, 2001 8:43:34 a.m.
 CAD FILE: 800110\AS-BUILTS\AS_HWY169\AS_HWY_10S.DWG

I HEREBY CERTIFY THAT THIS PLAN, SPECIFICATION OR REPORT WAS PREPARED BY ME OR UNDER MY DIRECT SUPERVISION AND THAT I AM A DULY REGISTERED PROFESSIONAL ENGINEER UNDER THE LAWS OF THE STATE OF MINNESOTA.
 DATE 10/15/98 REG.NO. 15316

NO.	DATE	BY	REVISION DESCRIPTION

Howard R. Green Company
 CONSULTING ENGINEERS
 1326 ENERGY PARK DRIVE
 ST. PAUL, MINNESOTA 55108
 (612) 644-4389

CITY OF ELK RIVER
 EASTERN AREA
 PHASE I IMPROVEMENTS

TRUNK WATERMAIN IMPROVEMENTS
 TRUNK HIGHWAY NO.10 AND NO.169 ROW
 0+960 TO 1+120

SHEET NO.
C4-8

DRAWING NUMBER EAST 128
 SARGO PRODUCTS • NEW HOPE, MINNESOTA
 REVISION BY PART NUMBER 6592
 SARGO PRODUCTS • NEW HOPE, MINNESOTA
 REVISION BY PART NUMBER 6592
 SARGO PRODUCTS • NEW HOPE, MINNESOTA
 REVISION BY PART NUMBER 6592