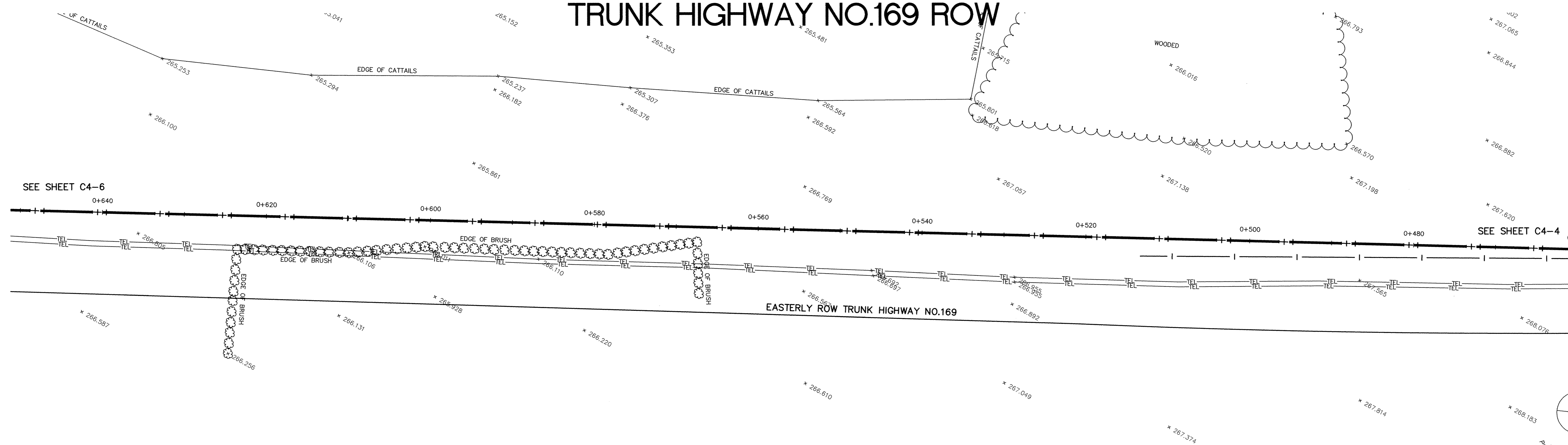
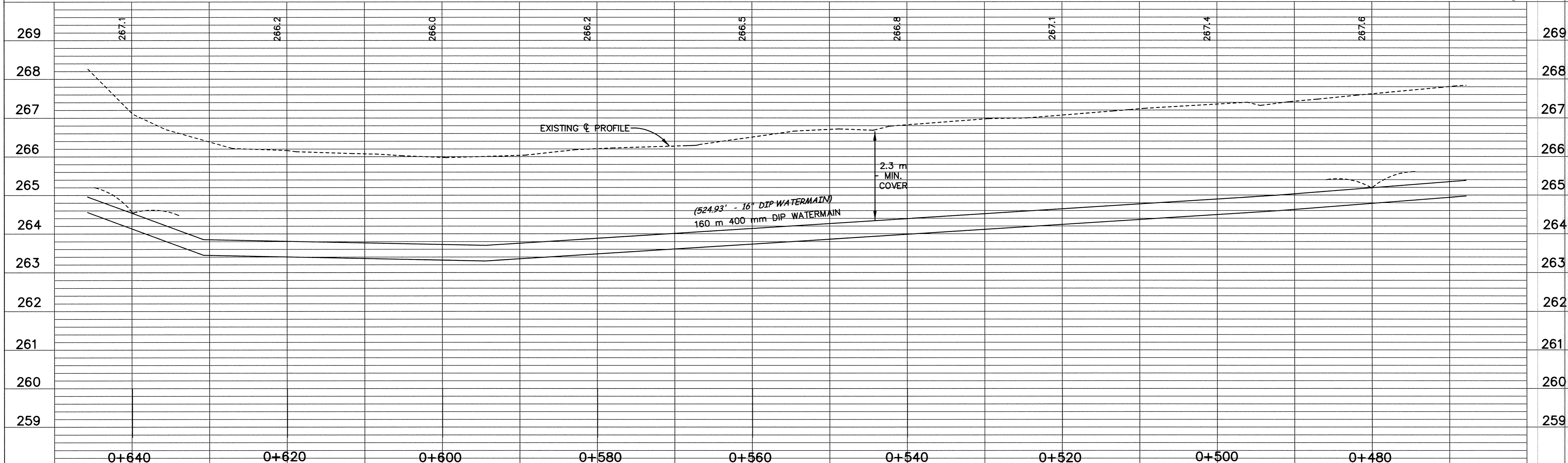
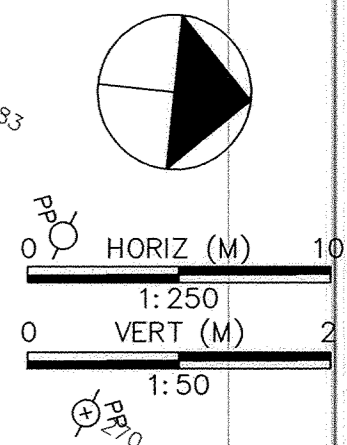


TRUNK HIGHWAY NO.169 ROW



minnesota
METRIC



DESIGNED BY: --- DRAWN BY: EY
 APPROVED: --- JOB NUMBER 800110J
 CAD DATE: March 30, 2001 9:19:21 a.m.
 CAD FILE: 800110\AS-BUILTS\AS-HWY169\AS-HWY_105.DWG

OPEN
 I HEREBY CERTIFY THAT THIS PLAN, SPECIFICATION, OR REPORT WAS PREPARED BY ME OR UNDER MY DIRECT SUPERVISION AND THAT I AM A DULY REGISTERED PROFESSIONAL ENGINEER UNDER THE LAWS OF THE STATE OF MINNESOTA.
 DATE 10/15/98 REG. NO. 15316

NO.	DATE	BY	REVISION DESCRIPTION



Howard R. Green Company
 CONSULTING ENGINEERS

1326 ENERGY PARK DRIVE
 ST. PAUL, MINNESOTA 55108
 (612) 644-4389

CITY OF ELK RIVER
 EASTERN AREA
 PHASE I IMPROVEMENTS

TRUNK WATERMAIN IMPROVEMENTS
 TRUNK HIGHWAY NO.169 ROW
 0+480 TO 0+640

SHEET NO.
C4-5

125 EASTE 1.98
 SHACO PRODUCTS - NEW HOPKINS, MINNESOTA
 REVISIONS: 01/15/98 BY: [unclear]