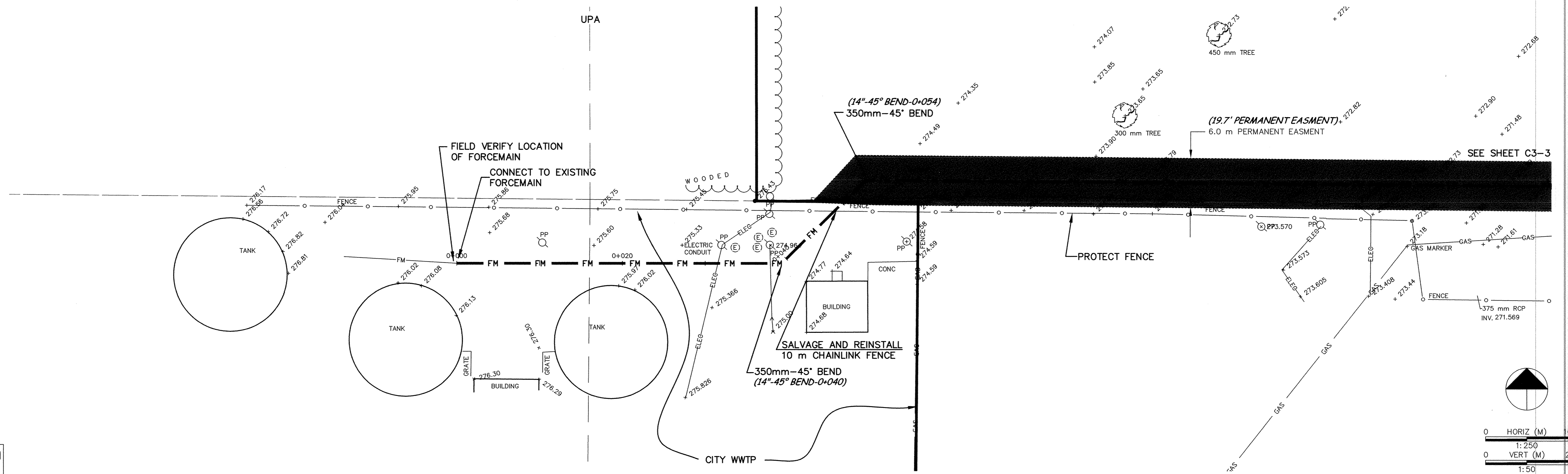
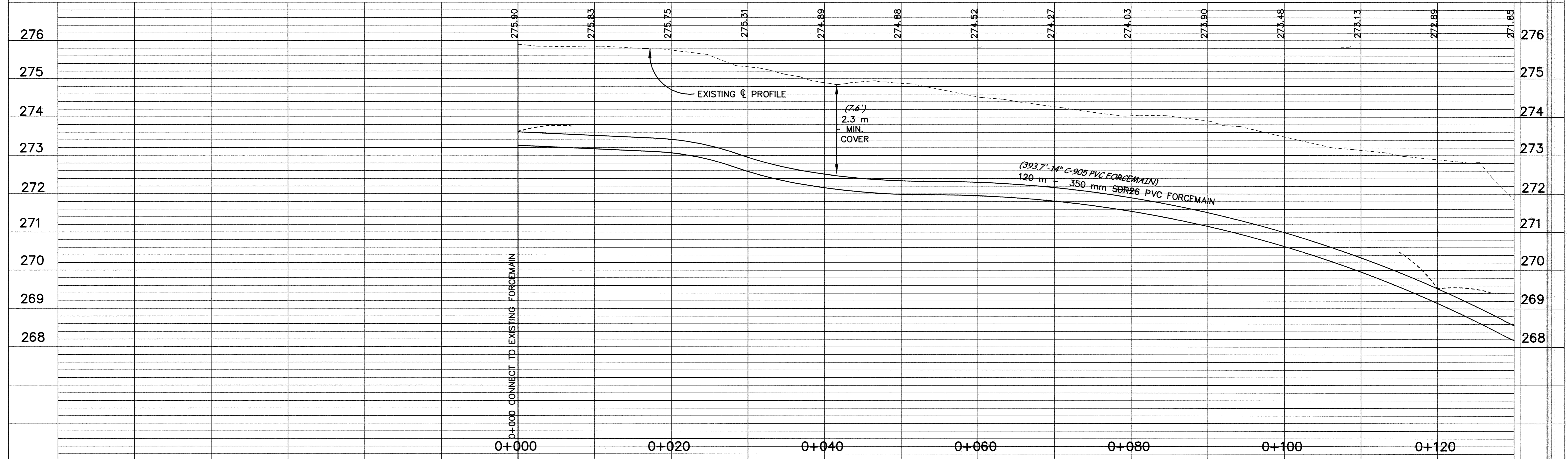
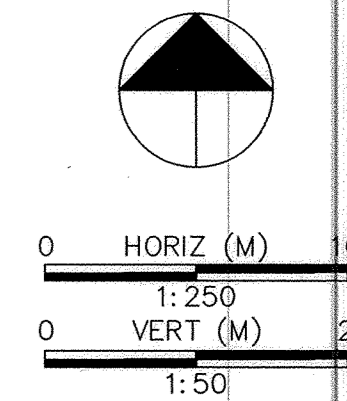


# FORCEMAIN




minnesota  
METRIC



DESIGNED BY: \_\_\_\_\_ JOB DATE: MARCH 1998  
 DRAWN BY: \_\_\_\_\_ JOB NUMBER: 800110J  
 APPROVED: \_\_\_\_\_ CAD DATE: MARCH 1998  
 CAD FILE: March 29, 2001 1:44:45 p.m.  
 800110\AS-BUILTS\Forcemain\ASF01.DWG

I HEREBY CERTIFY THAT THIS PLAN, SPECIFICATION, OR REPORT WAS PREPARED BY ME OR UNDER MY DIRECT SUPERVISION AND THAT I AM A DULY REGISTERED PROFESSIONAL ENGINEER UNDER THE LAWS OF THE STATE OF MINNESOTA.  
 DATE: 10/15/98 REG. NO. 15316

NO.	DATE	BY	REVISION DESCRIPTION

1326 ENERGY PARK DRIVE  
 ST. PAUL, MINNESOTA 55108  
 (612) 644-4389  
  
**Howard R. Green Company**  
 CONSULTING ENGINEERS

CITY OF ELK RIVER  
 EASTERN AREA  
 PHASE I IMPROVEMENTS

FORCEMAIN IMPROVEMENTS  
 0+000 TO 0+120

SHEET NO.  
**C3-2**

SD&C PRODUCTS • NEW HOPE, MINNESOTA  
 PROJECT BY PART NUMBER 8828  
 REVISIONS: SEE SHEET C3-3  
 112  
 E30111.98