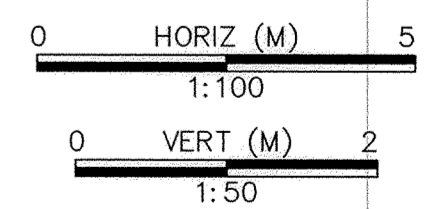
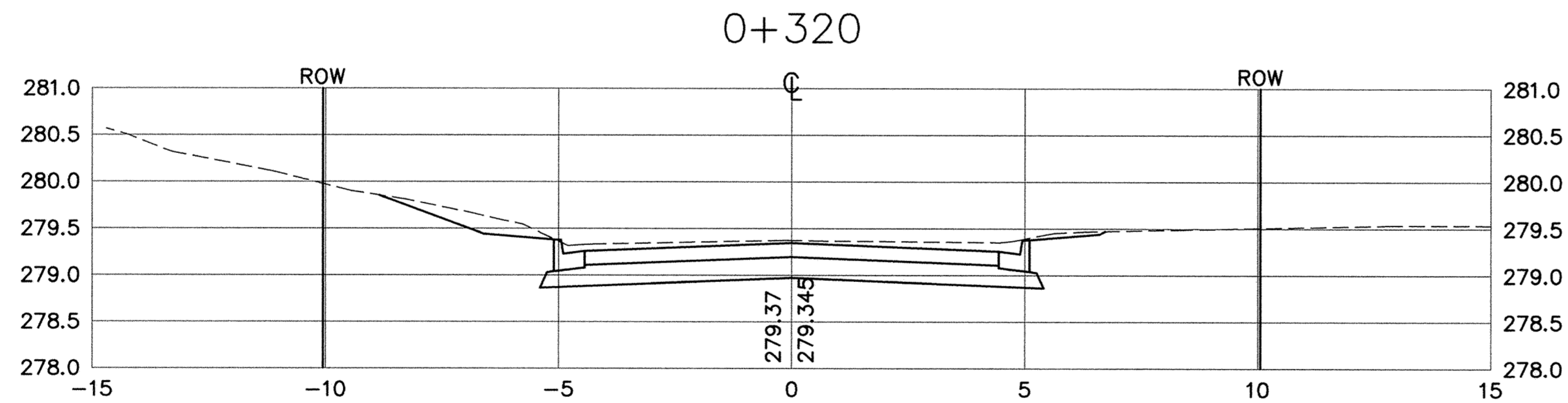
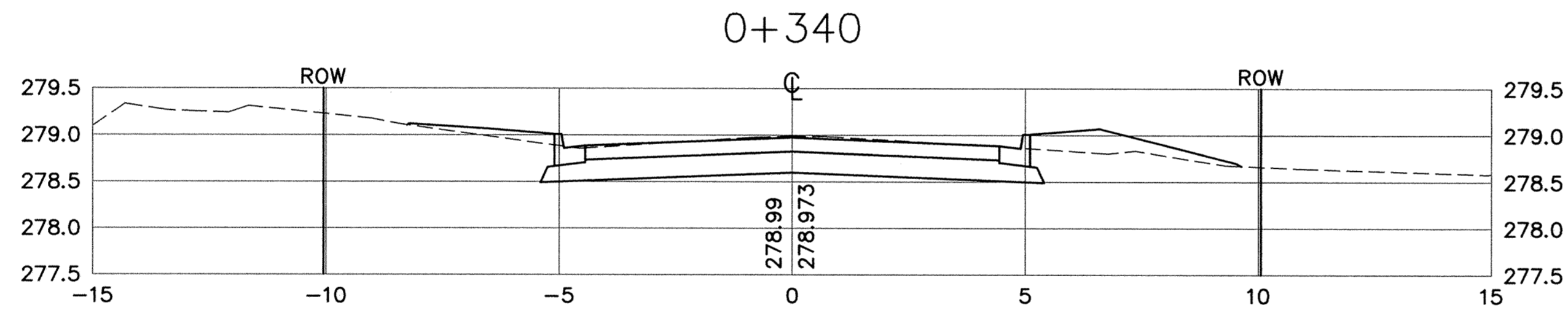
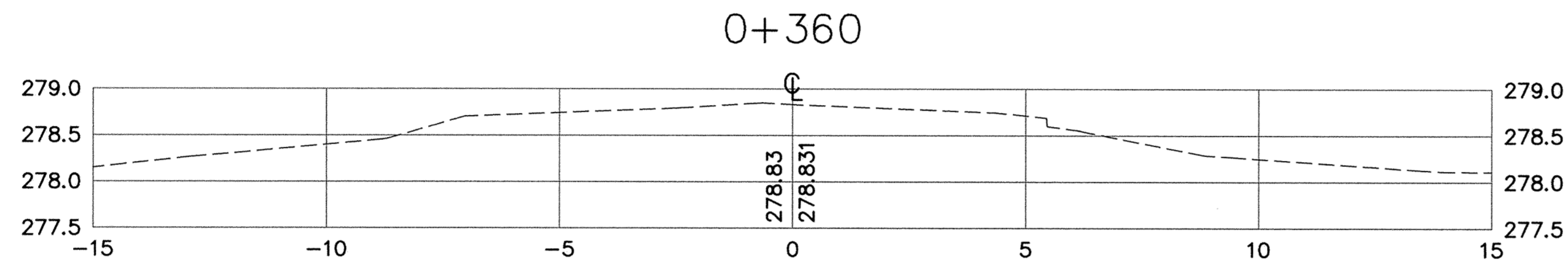


STATION	AREAS Square Meters		VOLUMES Cubic Meters		CUMULATIVE VOLUMES Cubic Meters	
	CUT	FILL	CUT	FILL	CUT	FILL
0+162.300	4.413	0.006	81.195	5.063	81.195	5.063
0+180	4.762	0.566	45.965	3.452	127.160	8.515
0+189.500	4.915	0.161	51.886	2.764	179.047	11.280
0+200	4.968	0.366	53.807	1.957	232.853	13.237
0+210.650	5.136	0.002	56.972	0.007	289.825	13.244
0+220	7.050	0.000	96.437	0.000	386.262	13.244
0+234.640	6.124	0.000	28.398	0.158	414.659	13.402
0+240	4.472	0.059	69.304	2.867	483.963	16.269
0+257.450	3.471	0.270	9.153	0.840	493.116	17.109
0+260	3.708	0.389	74.471	5.419	567.587	22.528
0+280	3.740	0.153	82.652	1.875	650.239	24.403
0+300	4.526	0.034	93.696	0.344	743.934	24.747
0+320	4.844	0.000	87.879	8.768	831.814	33.515
0+340	3.944	0.877	39.440	8.768	871.254	42.283
0+360	0.000	0.000	0.000	0.000	871.254	42.283



DESIGNED BY: AB JOB DATE: MARCH 1998  
 DRAWN BY: JOB NUMBER 800110J  
 APPROVED: CAD DATE:  
 CAD FILE: October 10, 1998 7:46:20 a.m.  
 800110J\dwgs\BALDWIN\X02.DWG

I HEREBY CERTIFY THAT THIS PLAN, SPECIFICATION, OR REPORT WAS PREPARED BY ME OR UNDER MY DIRECT SUPERVISION AND THAT I AM A DULY REGISTERED PROFESSIONAL ENGINEER UNDER THE LAWS OF THE STATE OF MINNESOTA.  
 DATE 10/15/98 REG. NO. 15316

NO.	DATE	BY	REVISION DESCRIPTION



Howard R. Green Company  
 CONSULTING ENGINEERS

1326 ENERGY PARK DRIVE  
 ST. PAUL, MINNESOTA 55108  
 (612) 644-4389

CITY OF ELK RIVER  
 EASTERN AREA  
 PHASE I IMPROVEMENTS

STREET AND UTILITY IMPROVEMENTS  
 CROSS SECTIONS  
 5TH STREET 0+320 TO 0+360

SHEET NO.  
**C2-6X**

SAICO PRODUCTS • NEW HOPE, MINNESOTA  
 REORDER BY PART NUMBER 8592