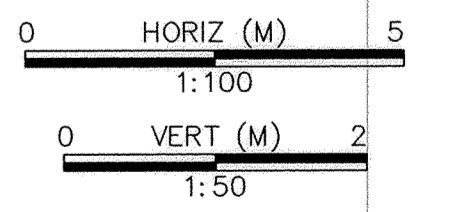
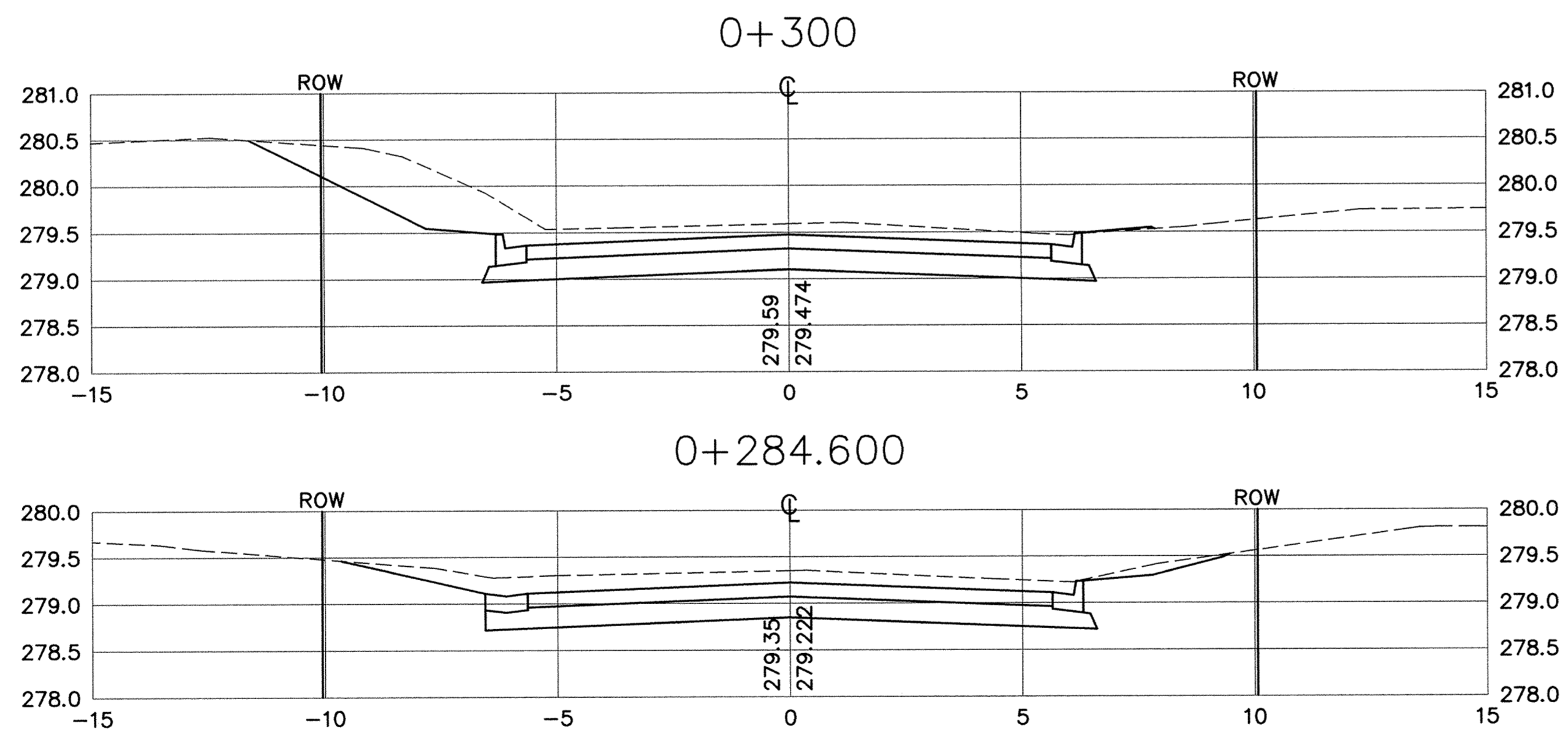


STATION	AREAS		VOLUMES		CUMULATIVE VOLUMES	
	CUT	FILL	CUT	FILL	CUT	FILL
0+000	8.206	0.000				
0+020	6.149	0.003	143.552	0.033	143.552	0.033
0+034.800	5.510	0.000	86.120	0.025	229.672	0.057
0+040	5.078	0.067	27.508	0.177	257.179	0.235
0+057	4.703	0.039	83.124	0.903	340.303	1.137
0+060	5.040	0.083	14.622	0.179	354.925	1.316
0+080	5.703	0.152	107.647	2.284	462.572	3.600
0+092.200	5.644	0.088	69.389	1.413	531.961	5.014
0+100	5.330	0.040	42.798	0.501	574.759	5.515
0+120	5.615	0.000	109.449	0.407	684.208	5.922
0+121.600	5.654	0.000	9.016	0.000	693.224	5.922
0+140	5.416	0.198	101.846	1.822	795.070	7.744
0+160	5.471	0.216	108.867	4.139	903.937	11.883
0+170	5.976	0.100	57.231	1.581	961.169	13.464
0+180	5.835	0.013	59.054	0.567	1020.222	14.031
0+183.300	5.981	0.014	19.497	0.045	1039.719	14.076
0+200	6.495	0.001	104.174	0.126	1143.893	14.201
0+213	7.352	0.000	90.006	0.005	1233.899	14.206
0+220	7.061	0.002	50.446	0.007	1284.345	14.213
0+240	7.210	0.002	142.704	0.043	1427.048	14.255
0+241.800	7.404	0.011	13.152	0.012	1440.201	14.268
0+260	7.405	0.000	134.766	0.103	1574.966	14.370
0+274	6.985	0.002	100.734	0.017	1675.701	14.387
0+280	6.794	0.000	41.337	0.007	1717.038	14.395
0+284.600	7.252	0.000	32.307	0.000	1749.345	14.395
0+300	8.979	0.020	124.985	0.150	1874.330	14.545
			0.000	0.000	1874.330	14.545



DESIGNED BY: AB JOB DATE: MARCH 1998
 DRAWN BY: [Signature] JOB NUMBER: 800110J
 APPROVED: _____ CAD DATE: _____
 CAD FILE: October 10, 1998 7:48:01 a.m.
 800110j\dwg\BALDWIN\X05.DWG

I HEREBY CERTIFY THAT THIS PLAN, SPECIFICATION, OR REPORT WAS PREPARED BY ME OR UNDER MY DIRECT SUPERVISION AND THAT I AM A DULY REGISTERED PROFESSIONAL ENGINEER UNDER THE LAWS OF THE STATE OF MINNESOTA.
 DATE 10/15/98 REG. NO. 15316

NO.	DATE	BY	REVISION DESCRIPTION


Howard R. Green Company
 CONSULTING ENGINEERS
 1326 ENERGY PARK DRIVE
 ST. PAUL, MINNESOTA 55108
 (612) 644-4389

CITY OF ELK RIVER
EASTERN AREA
PHASE I IMPROVEMENTS

STREET AND UTILITY IMPROVEMENTS
CROSS SECTIONS
BALDWIN AVENUE 0+284.600 TO 0+300

SHEET NO.
C2-4X