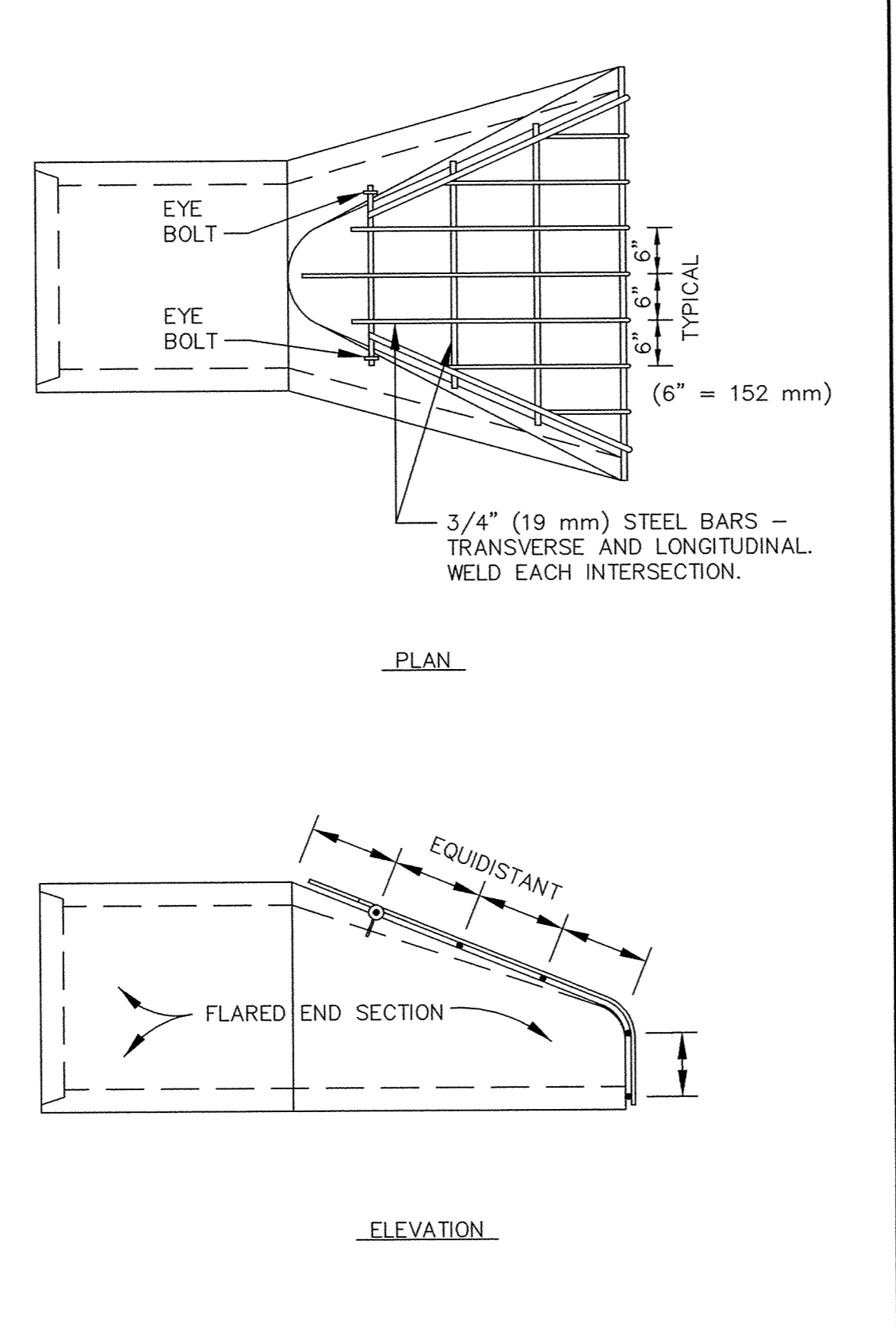
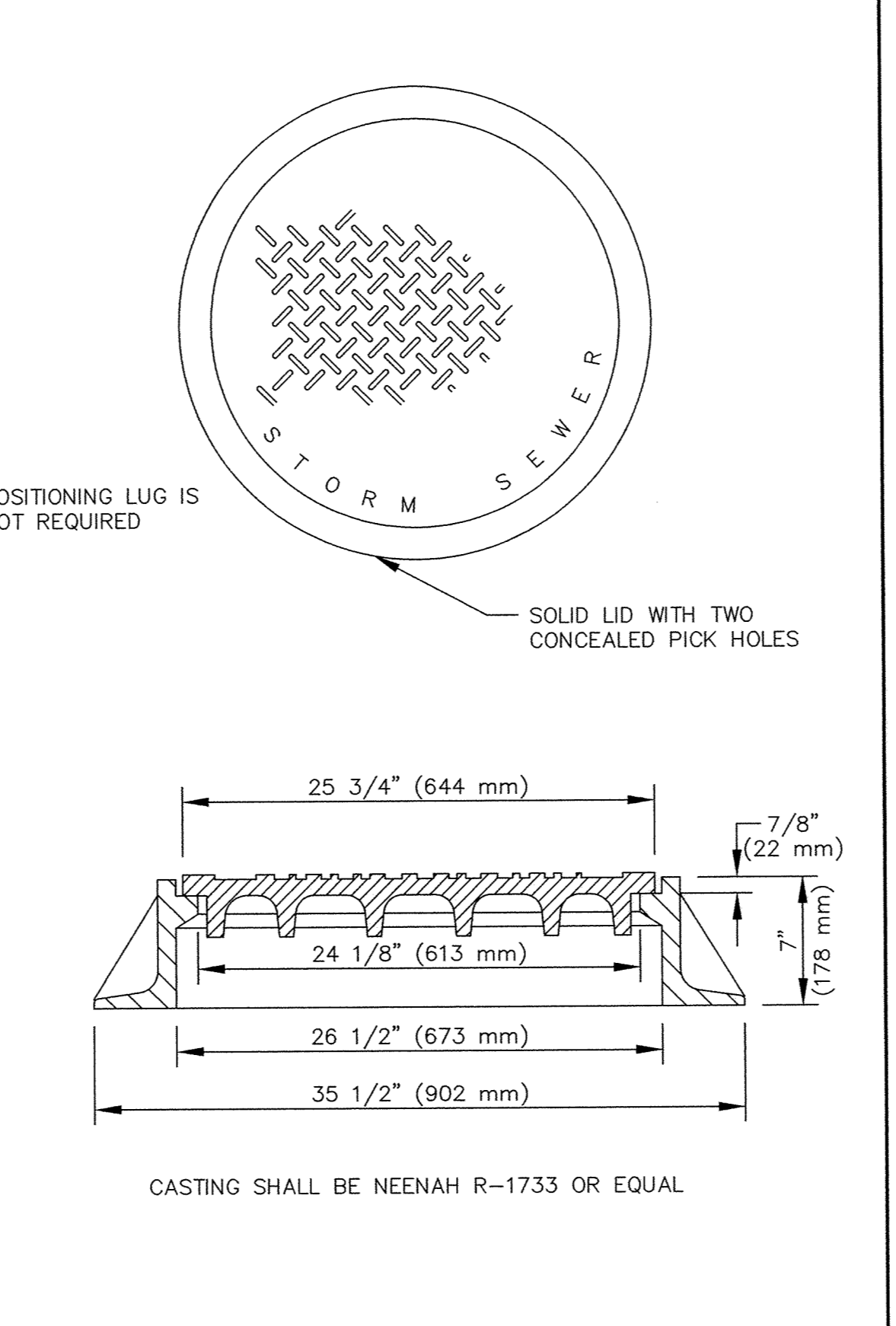


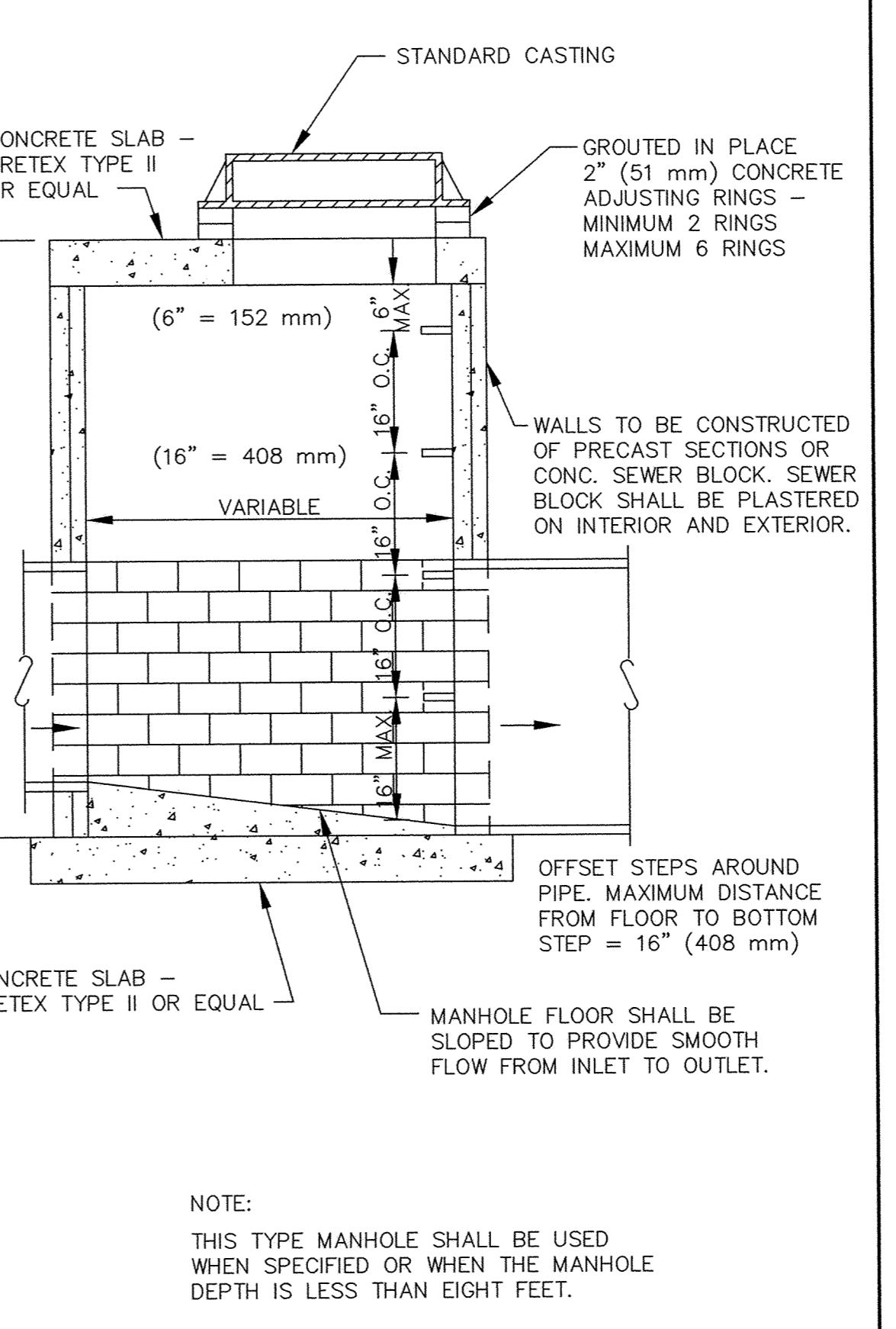
RIP-RAP INSTALLATION



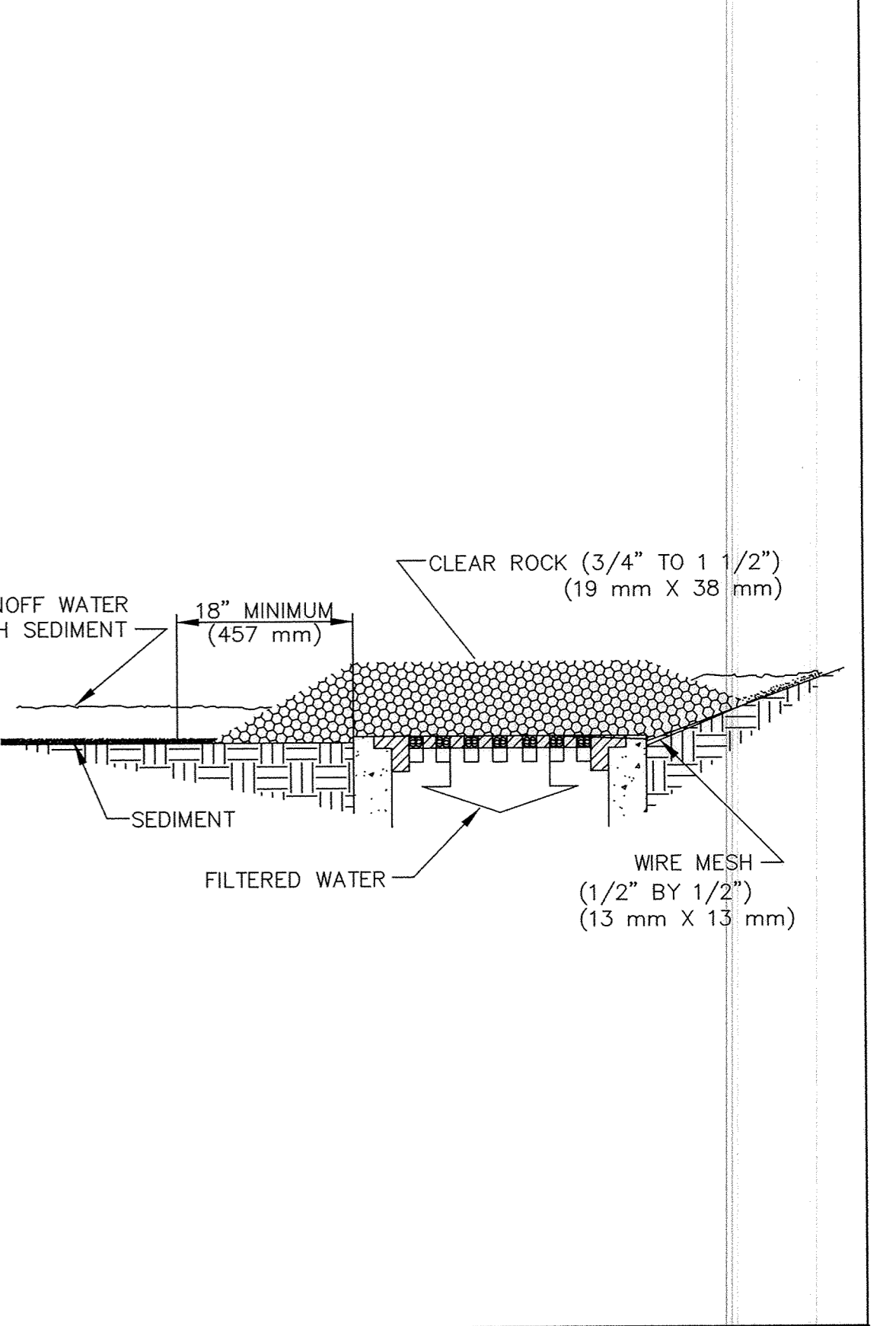
TRASH GUARD



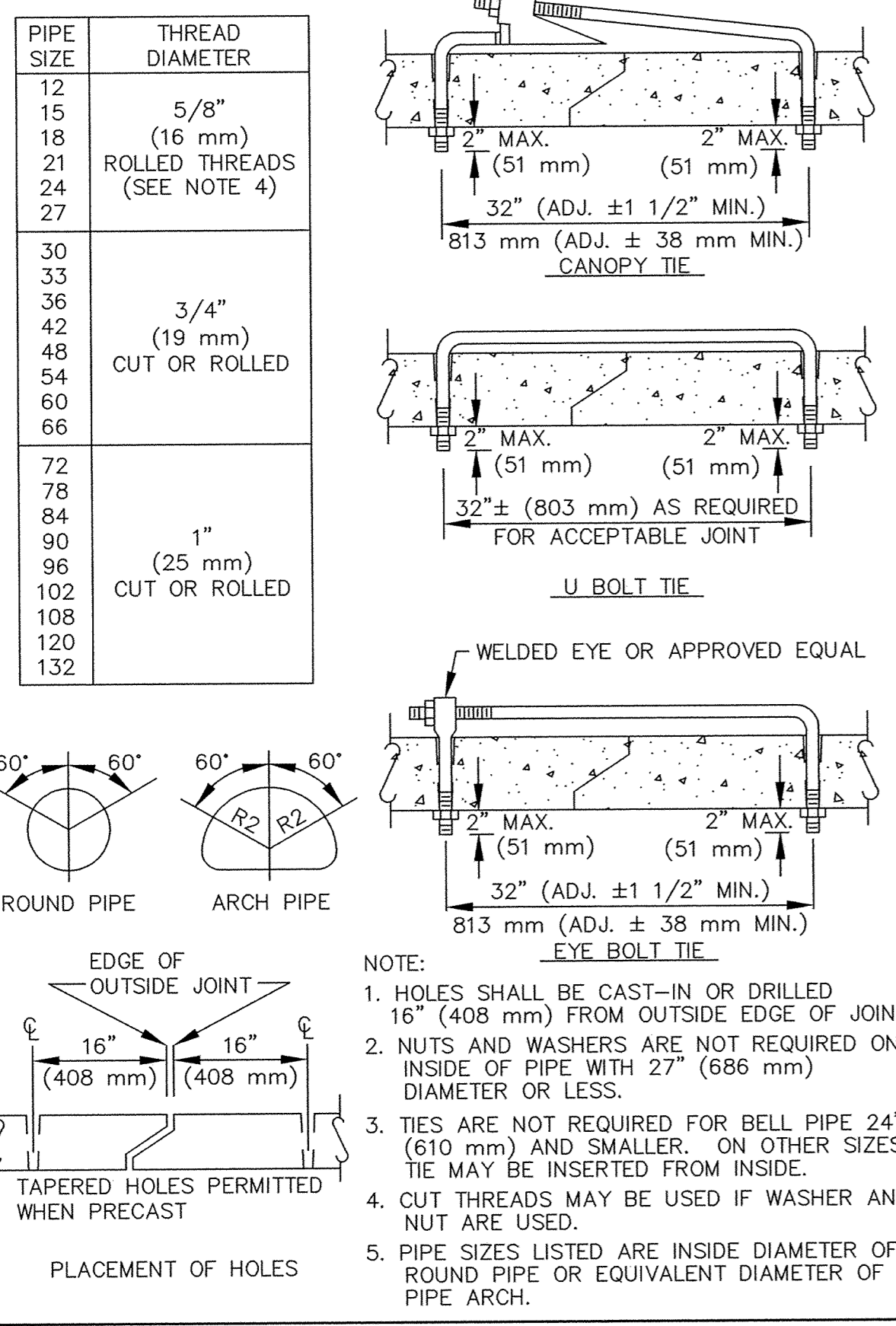
STANDARD MANHOLE CASTING



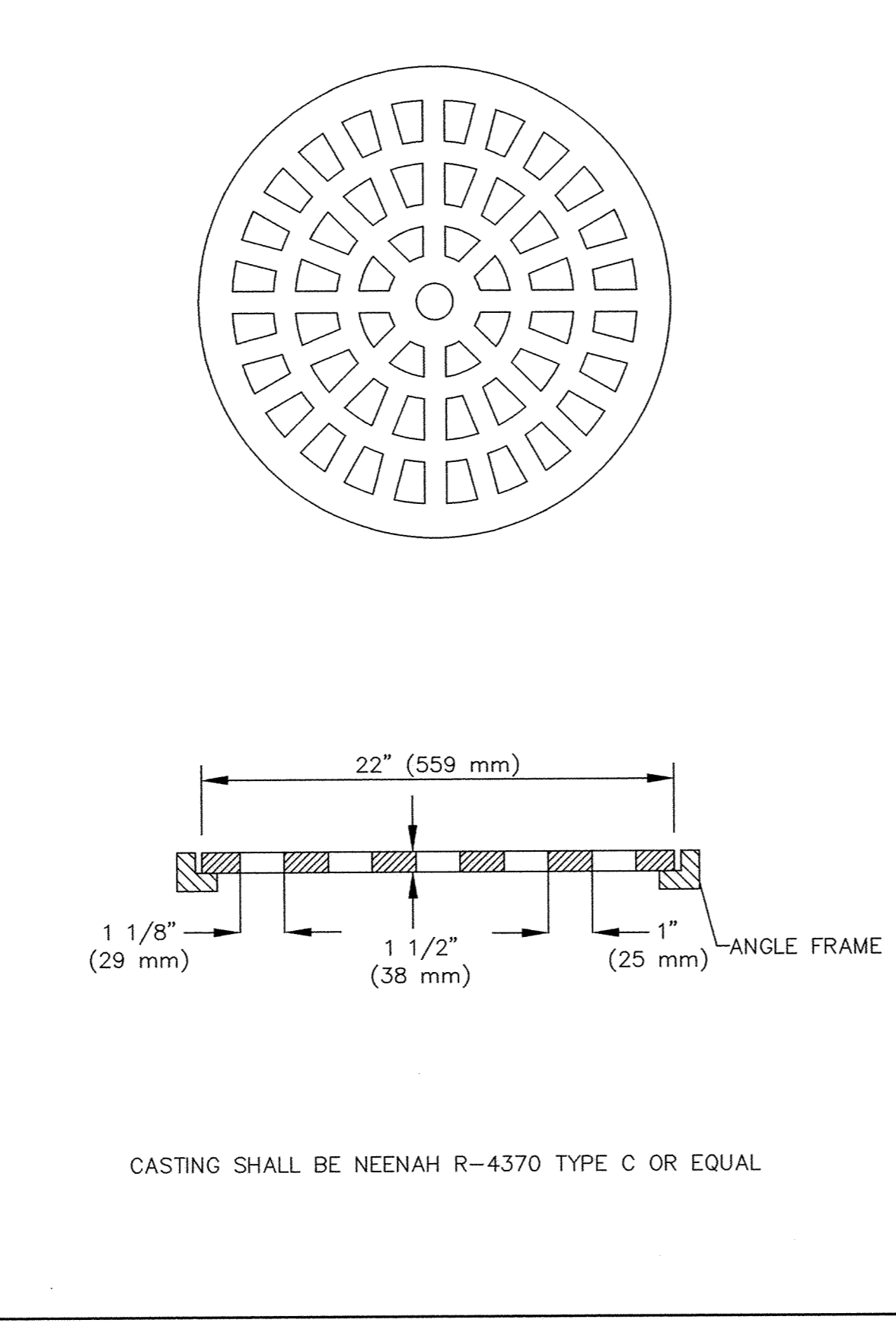
SLAB TOP MANHOLE



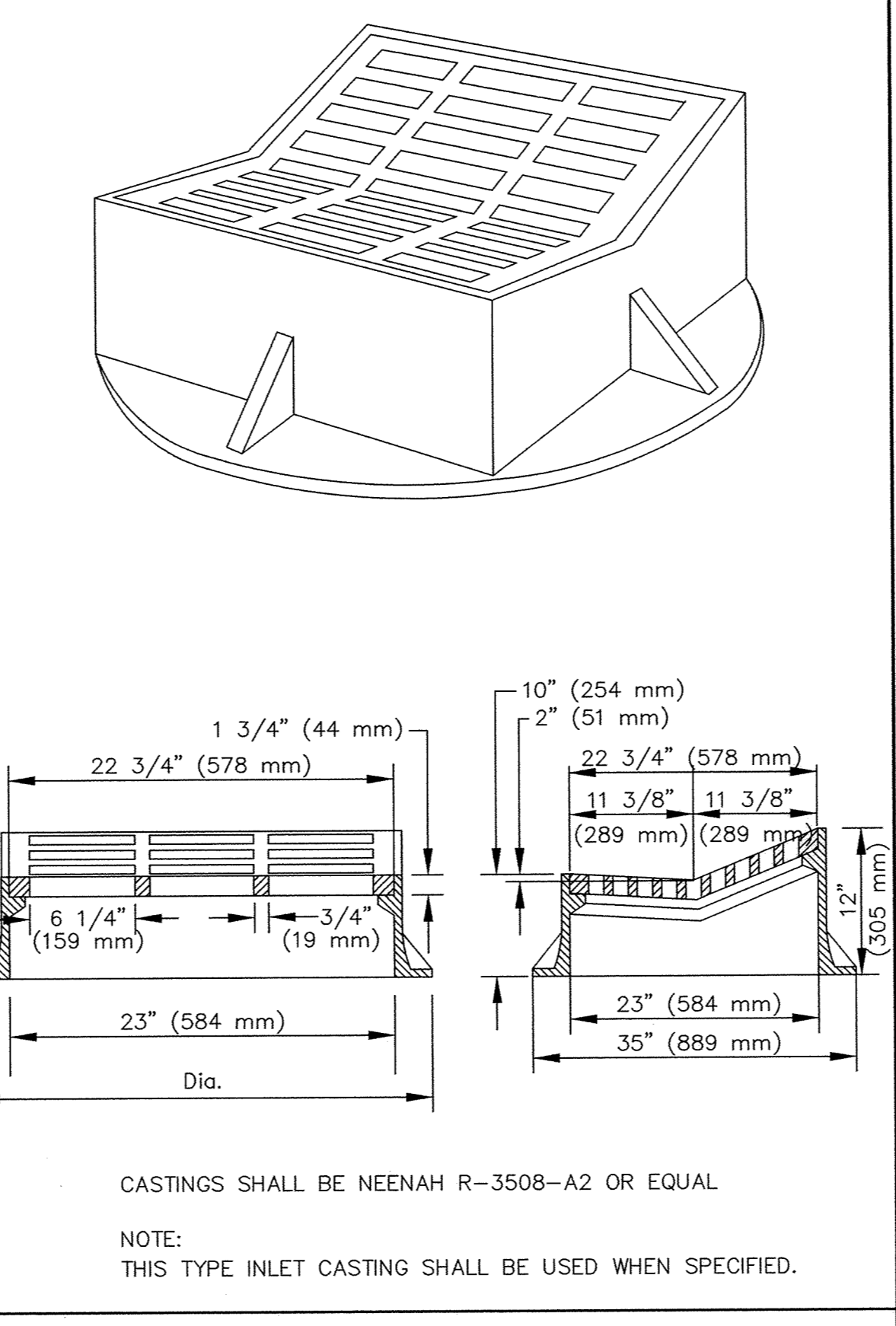
CATCH BASIN SEDIMENTATION BARRIER



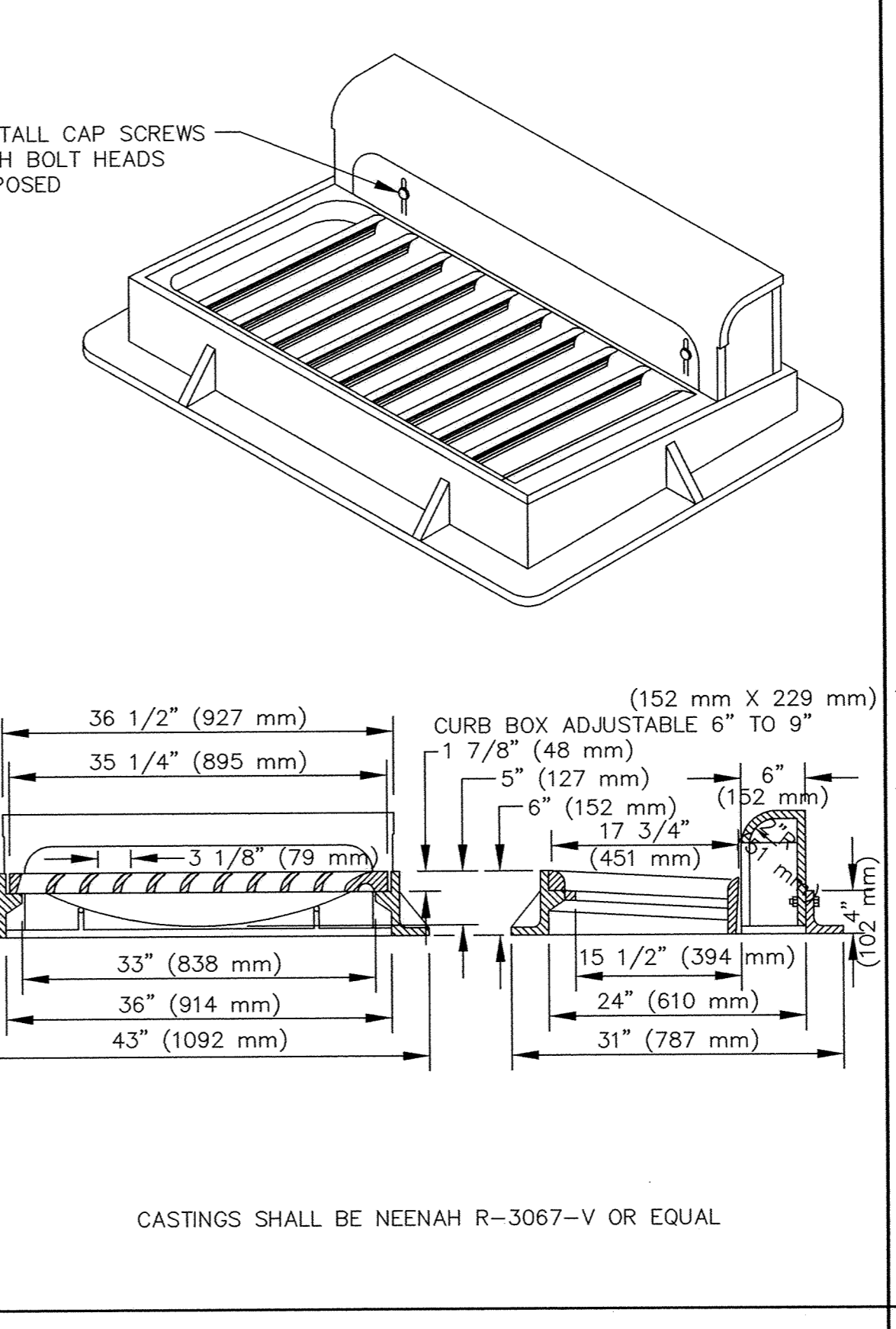
CONCRETE PIPE JOINT TIES



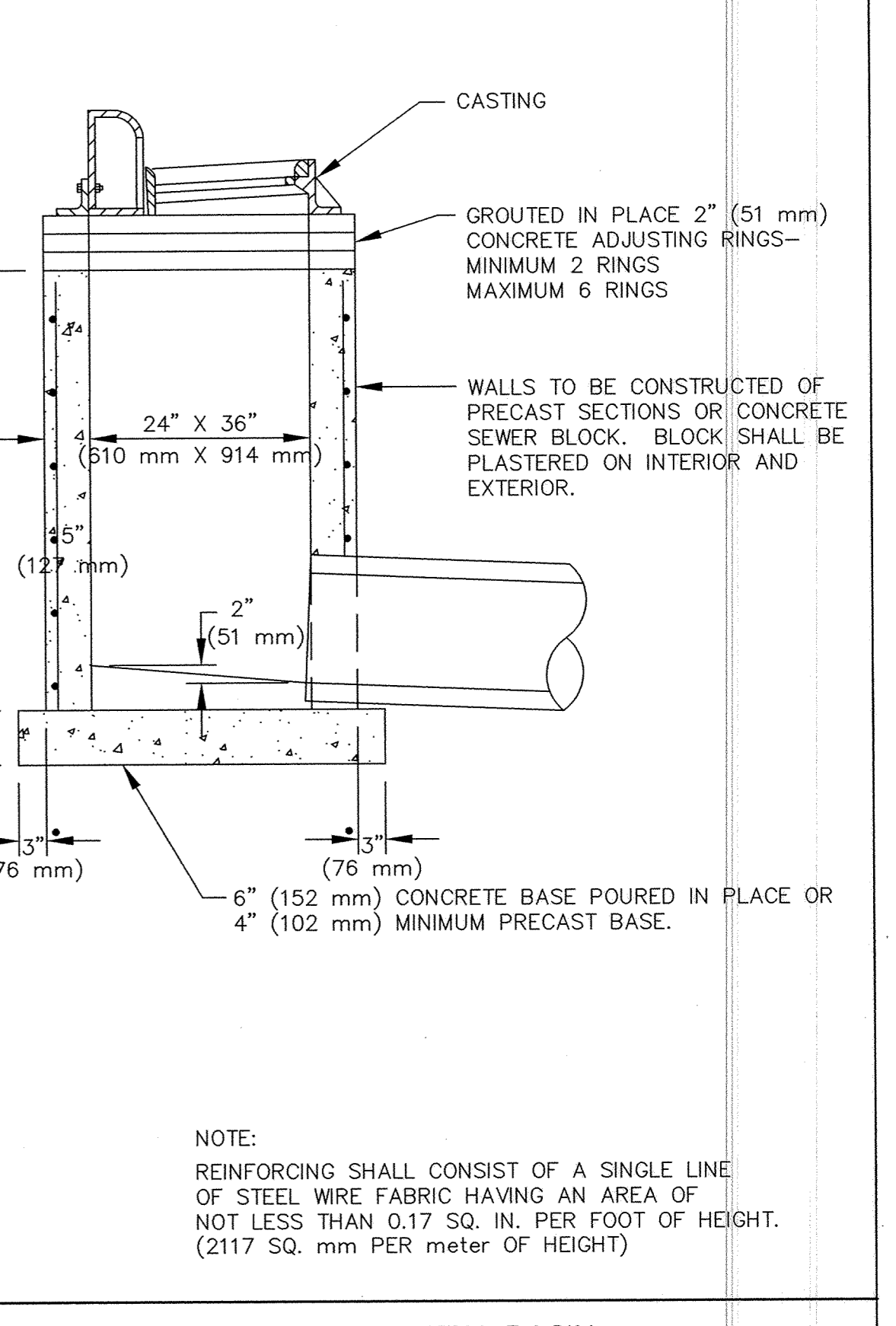
GRATE CASTING



STANDARD INLET CASTING



STANDARD INLET CASTING



SHALLOW CATCH BASIN

DRAWN BY: \_\_\_\_\_ JOB DATE: SEPT. 1998  
 APPROVED: \_\_\_\_\_ JOB NUMBER 800110J  
 CAD DATE: SEPTEMBER 1998  
 CAD FILE: O/CAD/800110J/MISC/800110\_D1

I HEREBY CERTIFY THAT THIS PLAN, SPECIFICATION, OR REPORT WAS PREPARED BY ME OR UNDER MY DIRECT SUPERVISION AND THAT I AM A DULY REGISTERED PROFESSIONAL ENGINEER UNDER THE LAWS OF THE STATE OF MINNESOTA.  
 DATE 10/15/98 REG. NO. 15316

NO.	DATE	BY	REVISION DESCRIPTION

1326 ENERGY PARK DRIVE  
 ST. PAUL, MINNESOTA 55108  
 (612) 644-4389  
**Howard R. Green Company**  
 CONSULTING ENGINEERS

CITY OF ELK RIVER  
 EASTERN AREA PHASE I IMPROVEMENTS  
 STORM SEWER DETAILS

SHEET NO.  
**G-5**