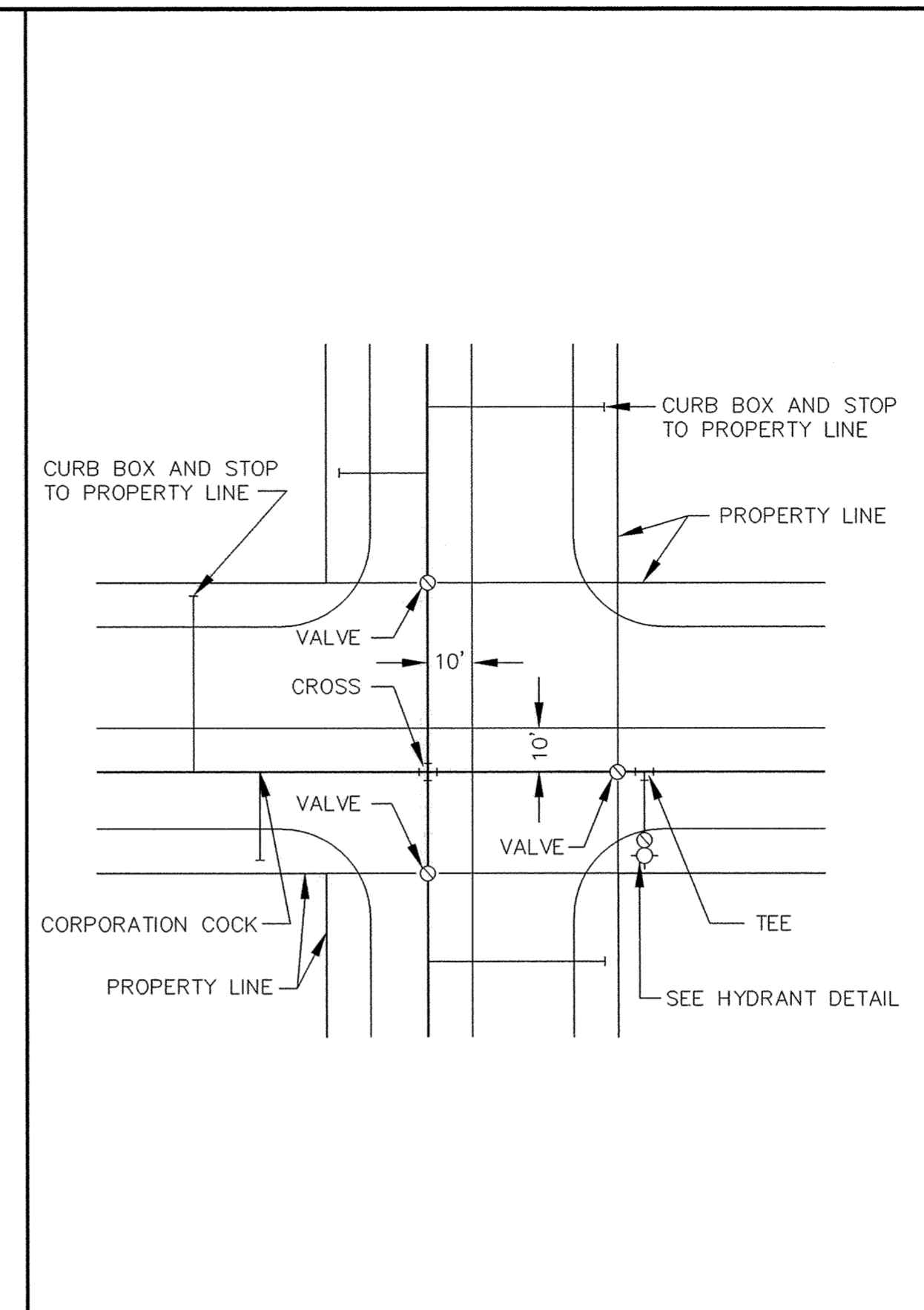
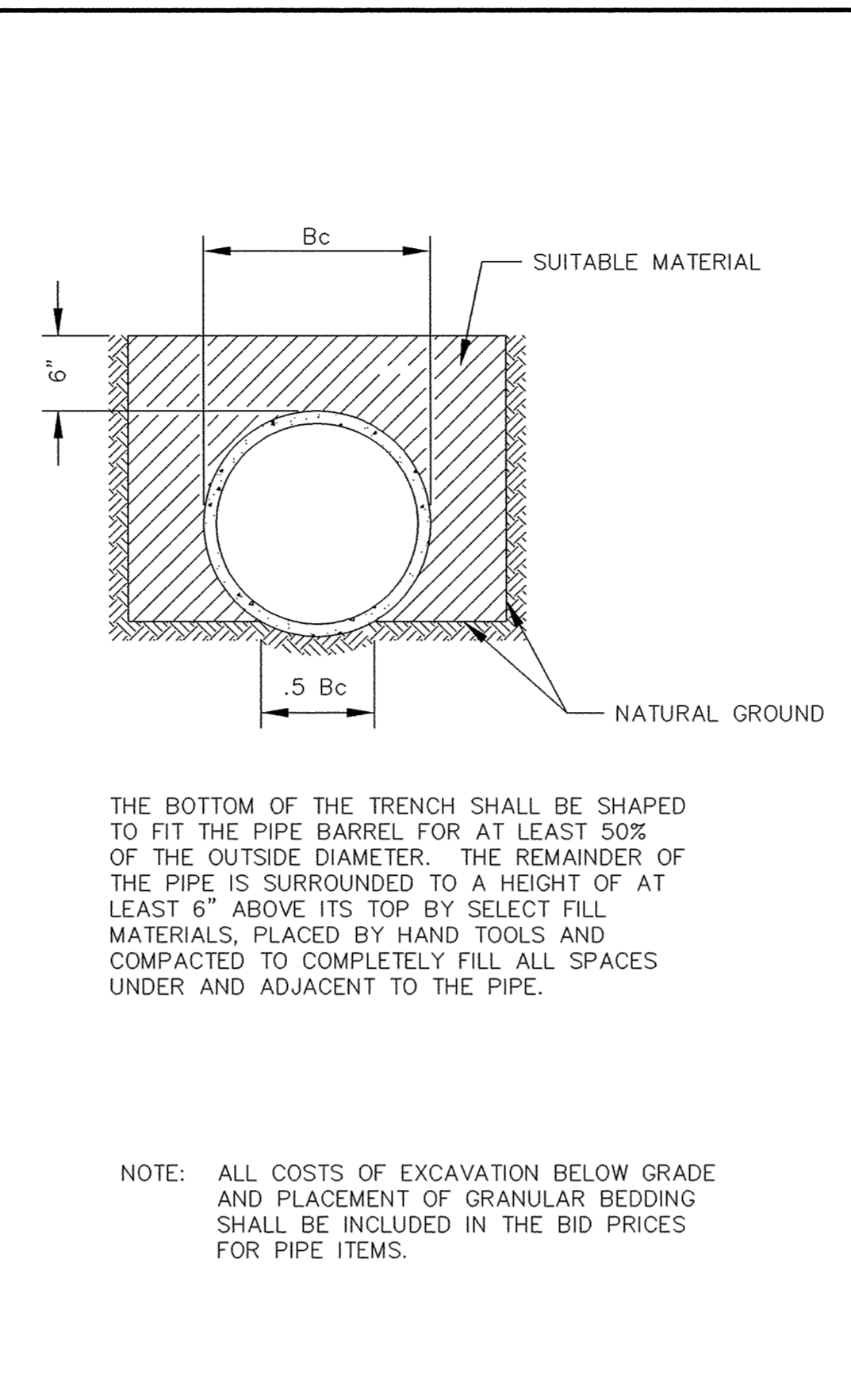


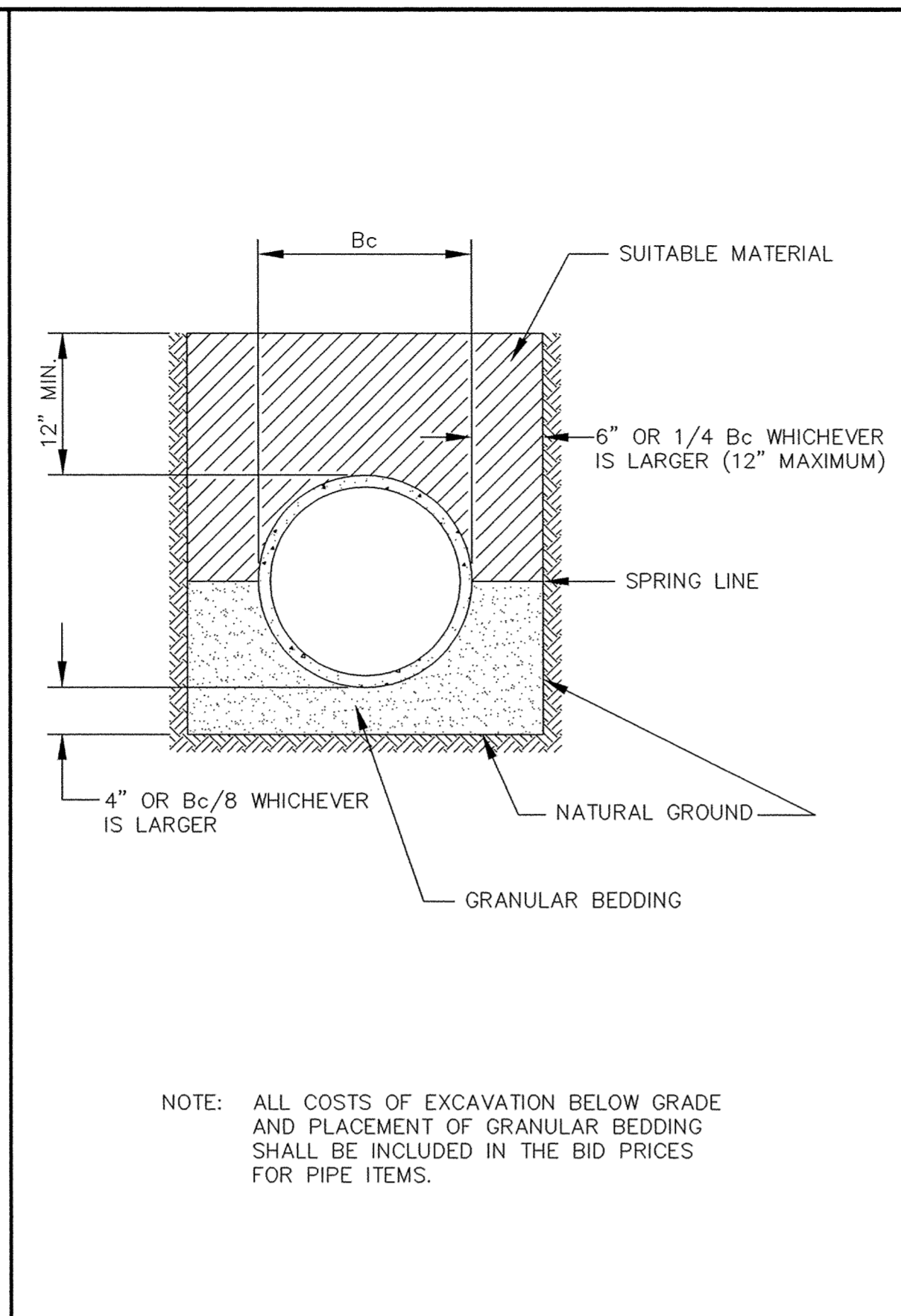
PACER HYDRANT DETAIL



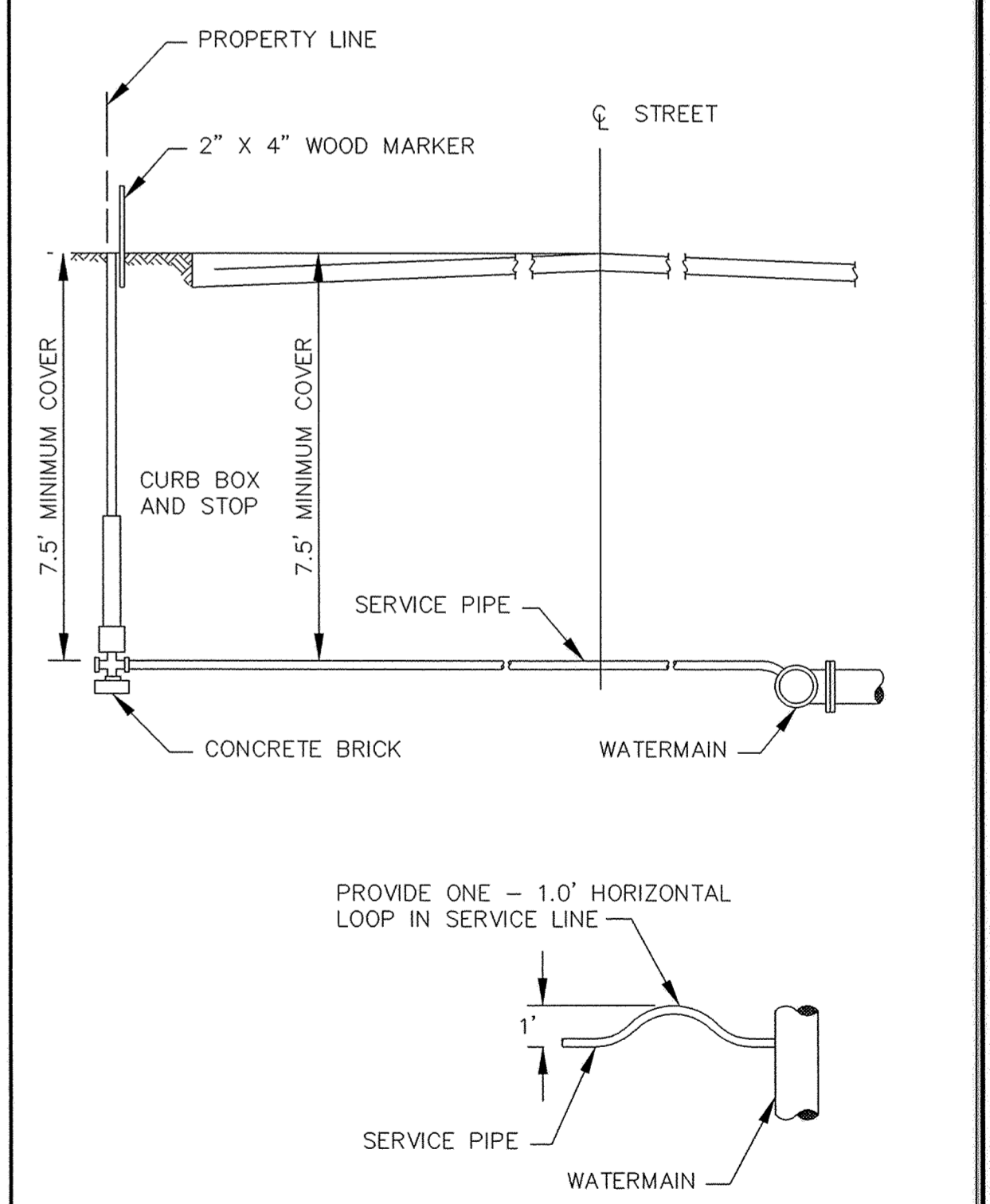
TYPICAL WATER LAYOUT



CLASS C PIPE BEDDING

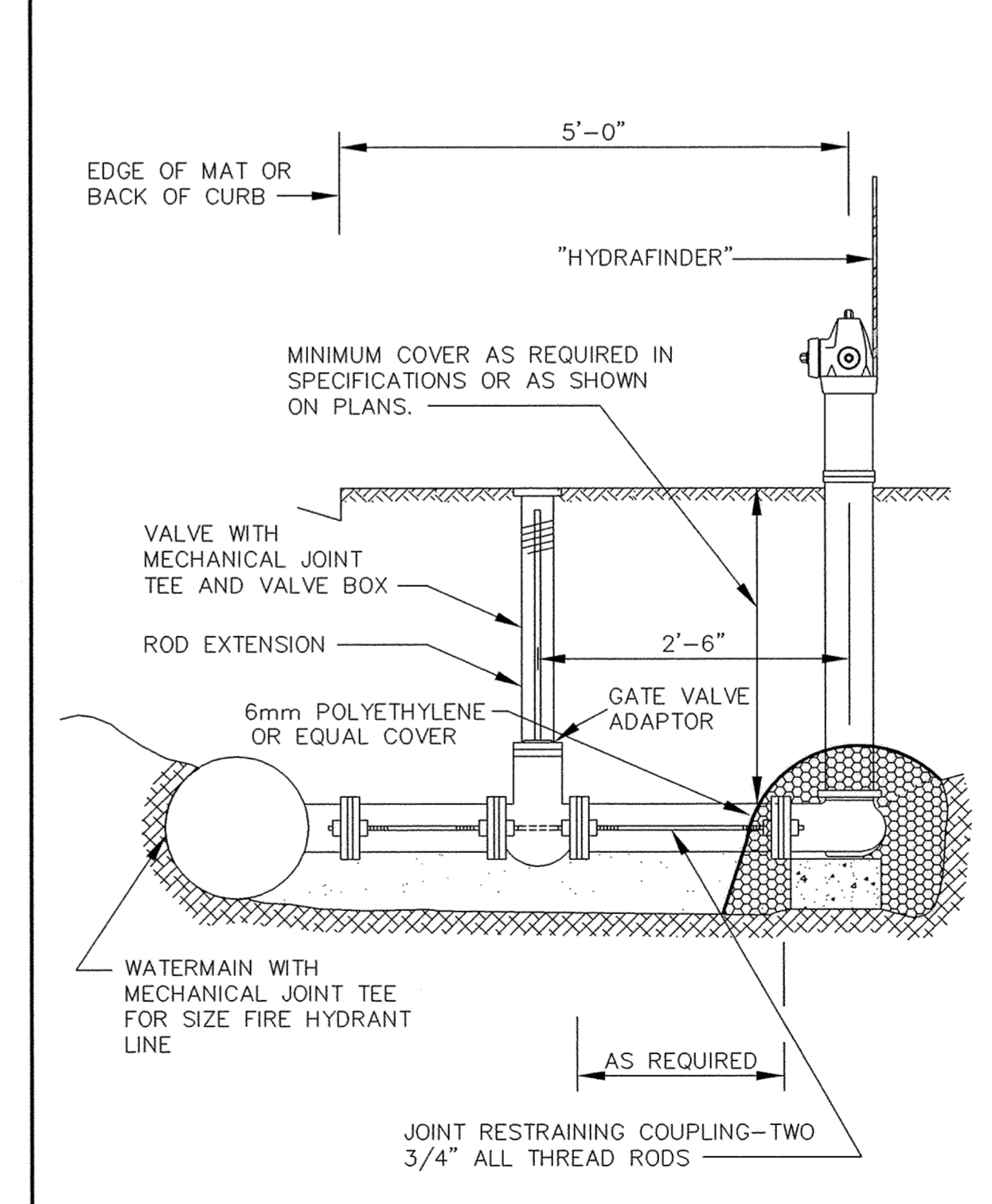


CLASS B PIPE BEDDING

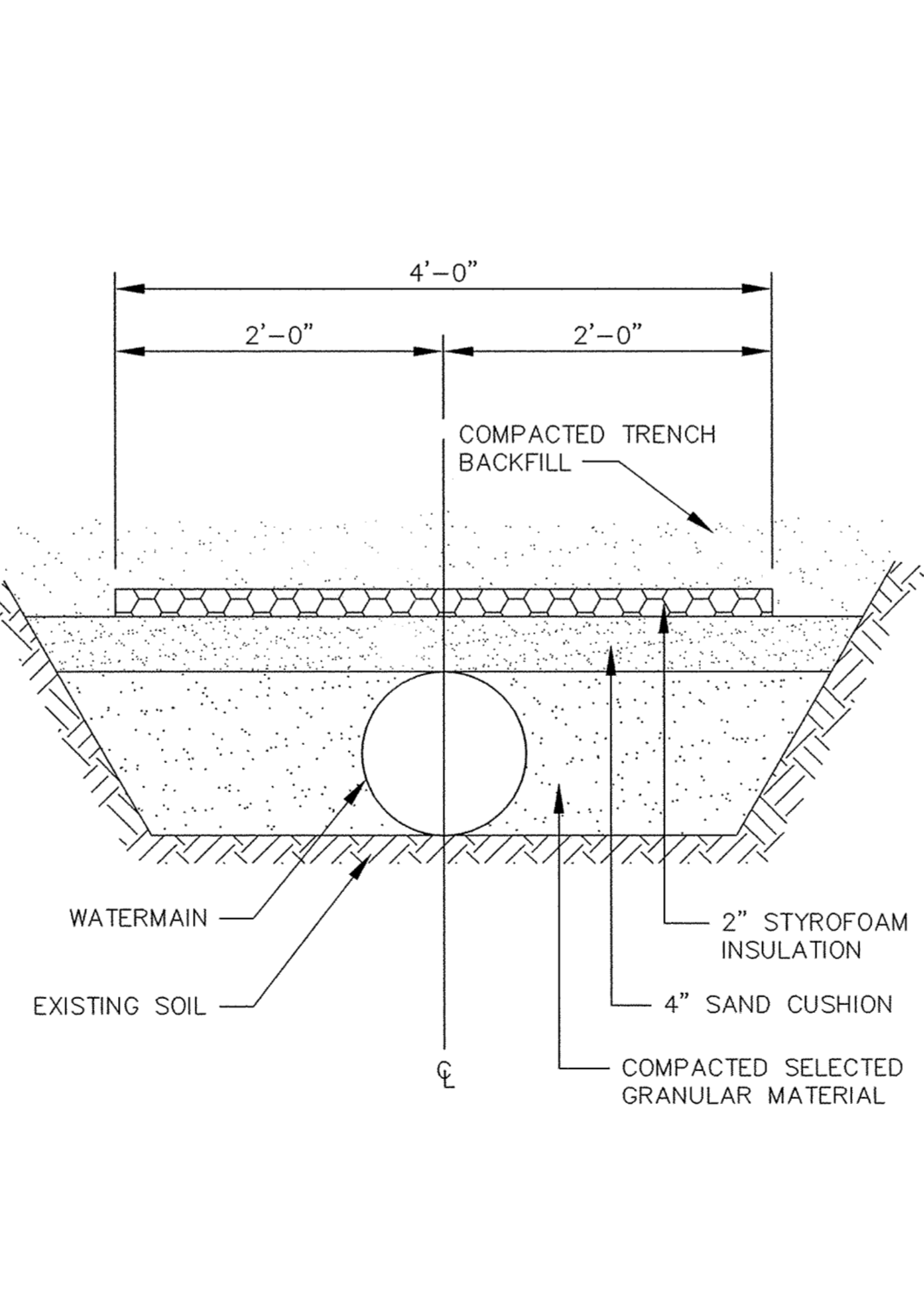


TYPICAL SERVICE DETAIL

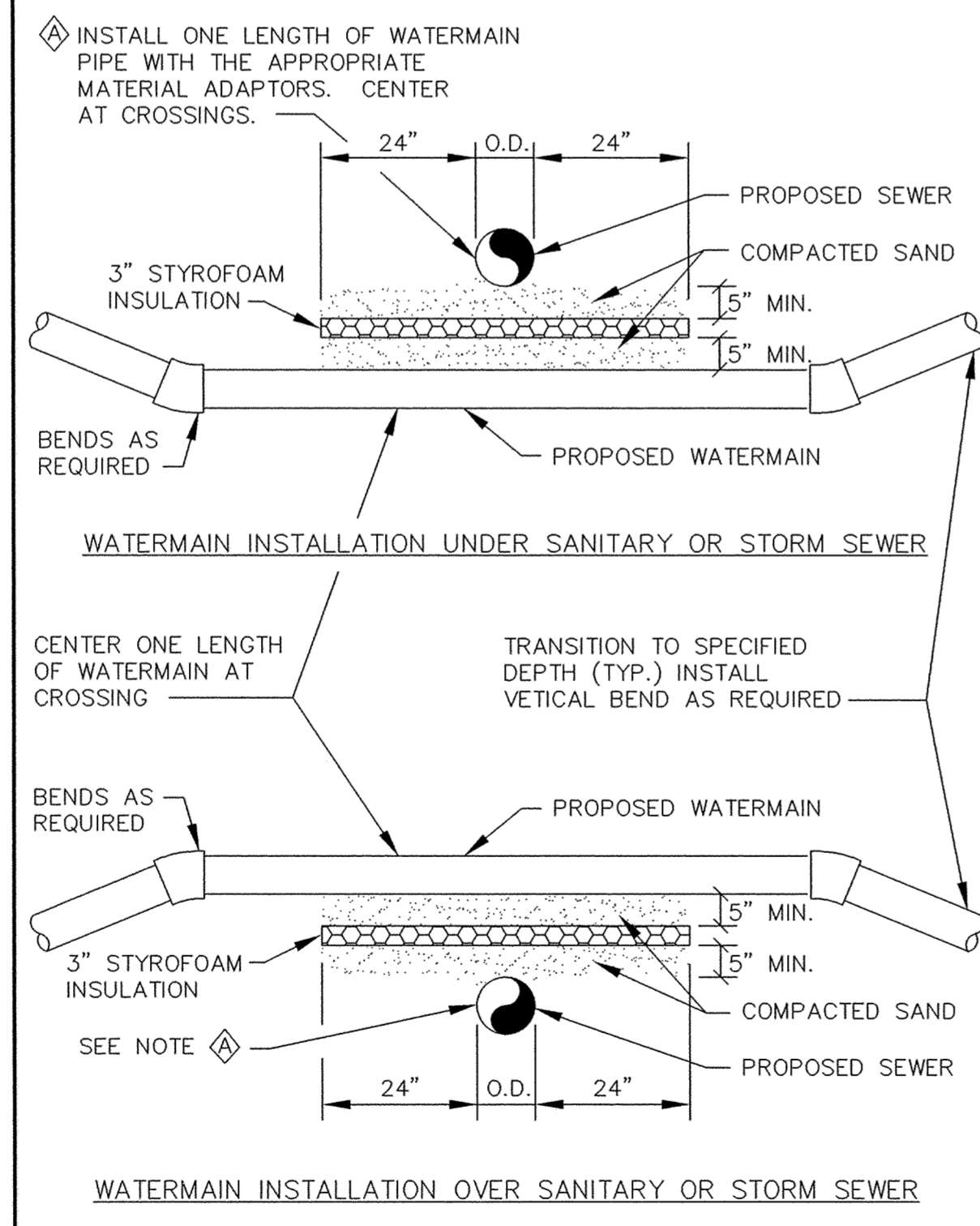
CONTRACTOR: RYAN CONTRACTING  
RECORD DRAWING CONFORMING TO CONSTRUCTION RECORDS.  
BY ALLAN SPILLES DATE 05/03/05  
WESTWOOD PROFESSIONAL SERVICES



RODDING DETAIL



PIPE INSULATION DETAIL



WATERMAIN CROSSING

**Westwood Professional Services, Inc.**  
7599 Anagram Drive  
Eden Prairie, MN 55344  
Phone: 952/937-5150 Fax: 952/937-5822

**CENTEX HOMES**

DESIGNED BY: --- DRAWN BY: ---  
APPROVED: --- JOB NUMBER ---  
CAD DATE: April 14, 1999 11:14:59 a.m.  
CAD FILE: 230000m\_ER-SM.DWG

I HEREBY CERTIFY THAT THIS PLAN, SPECIFICATION, OR REPORT WAS PREPARED BY ME OR UNDER MY DIRECT SUPERVISION AND THAT I AM A DULY REGISTERED PROFESSIONAL ENGINEER UNDER THE LAWS OF THE STATE OF MINNESOTA.  
DATE \_\_\_\_\_ REG. NO. \_\_\_\_\_

NO.	DATE	BY	REVISION DESCRIPTION
1	05/03/05	GKB	RECORD DRAWING

**Howard R. Green Company**  
CONSULTING ENGINEERS  
1326 ENERGY PARK DRIVE  
ST. PAUL, MINNESOTA 55108  
(612) 644-4389

CITY OF ELK RIVER  
ELK RIVER STATION - 2nd ADDITION  
WATER MAIN DETAILS

SHEET NO.  
12  
OF  
14

E-8 20021058.02DE@2.DWG

P:\20021058.02\dwg\RECORD\20021058.02DE@2.dwg 5/2/2005 10:52:22 AM CST