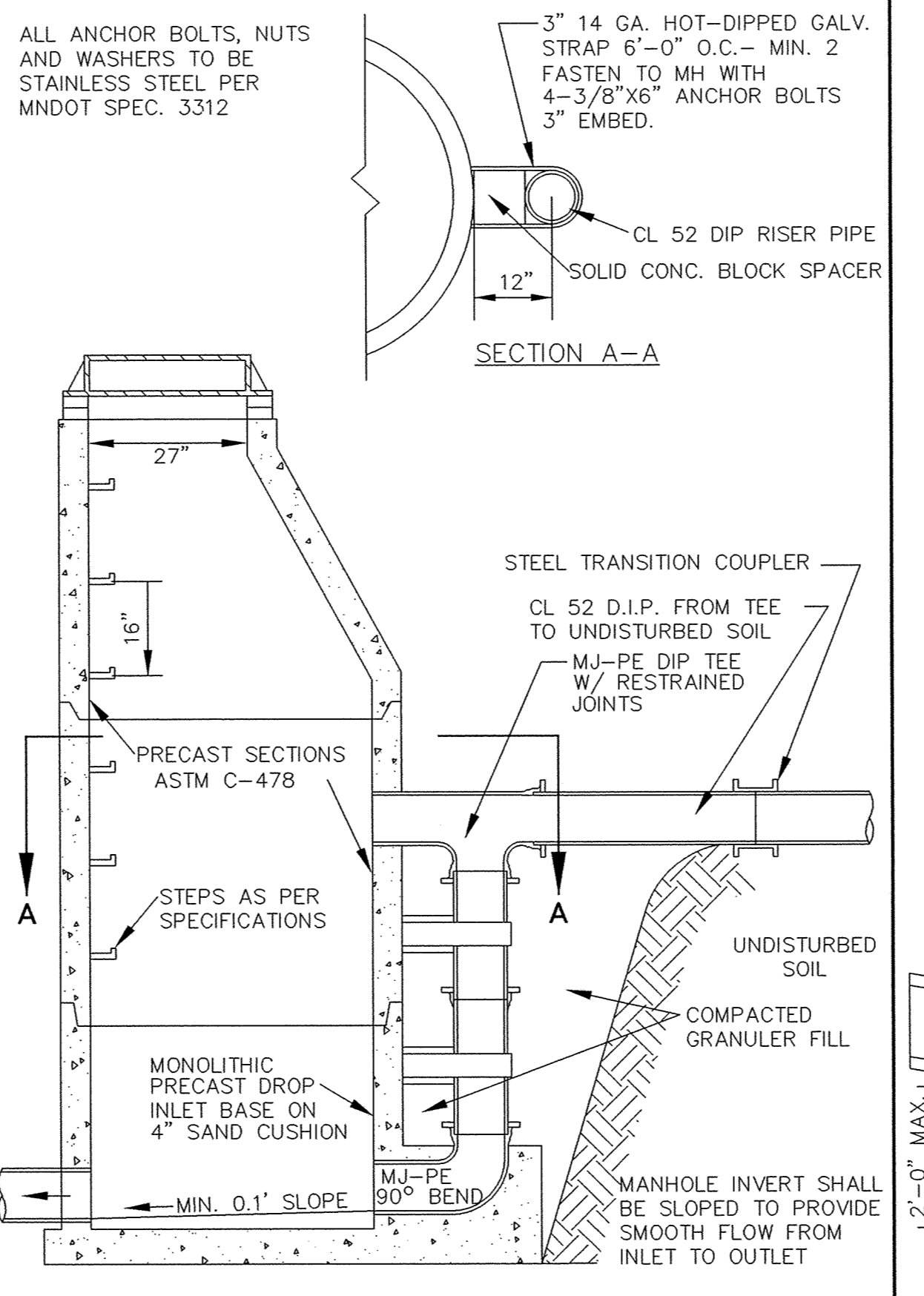
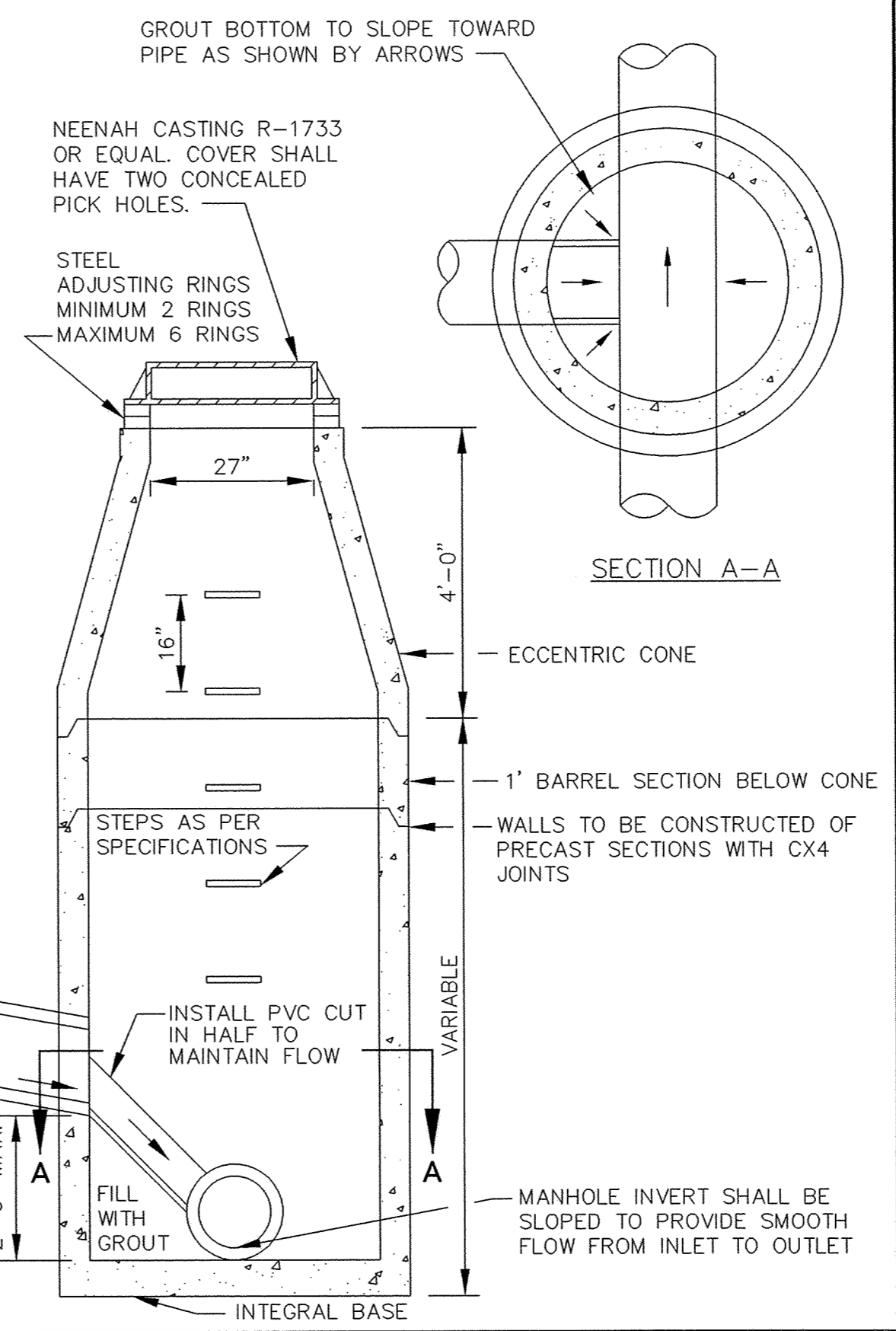


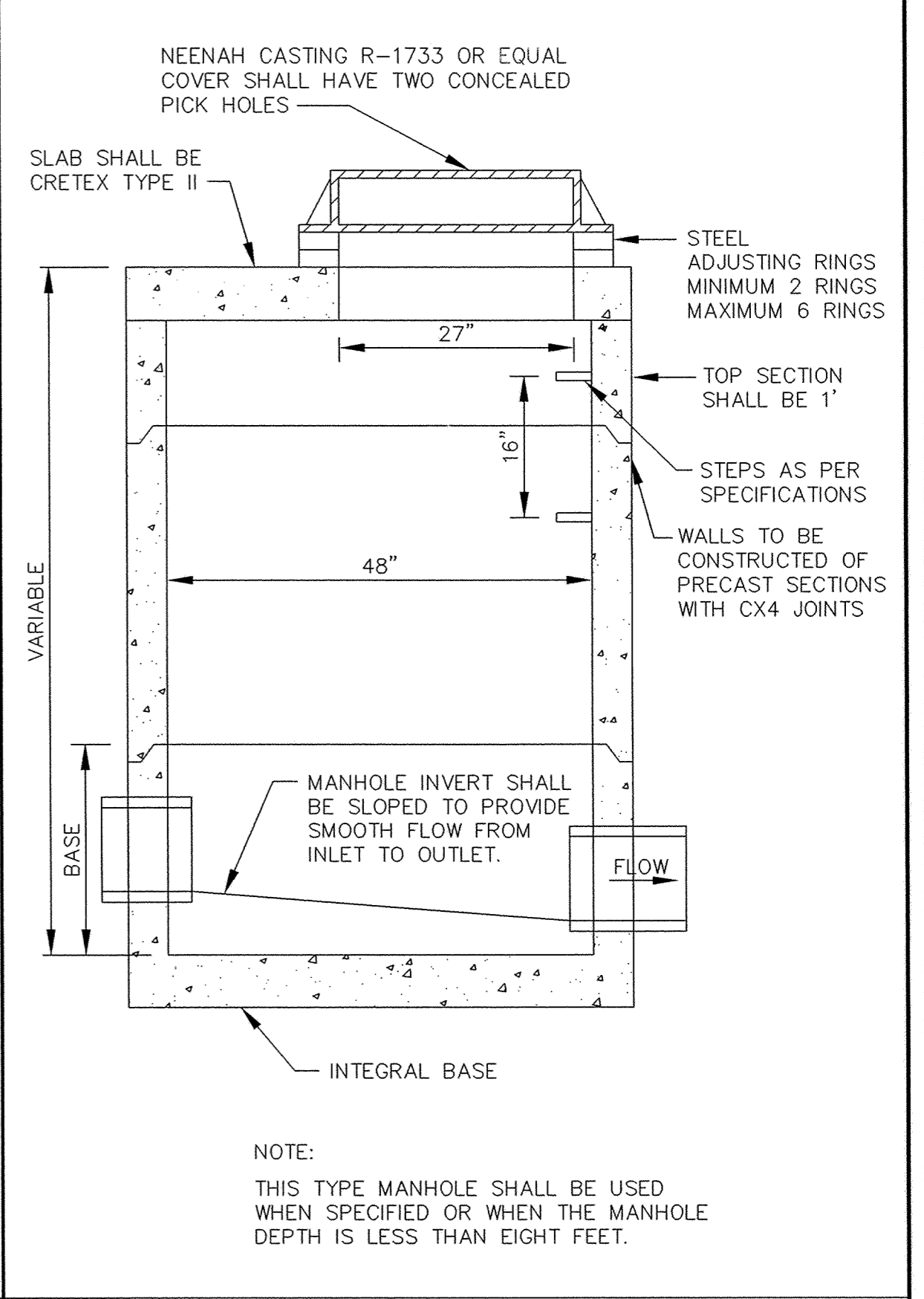
STANDARD AIR RELIEF MANHOLE



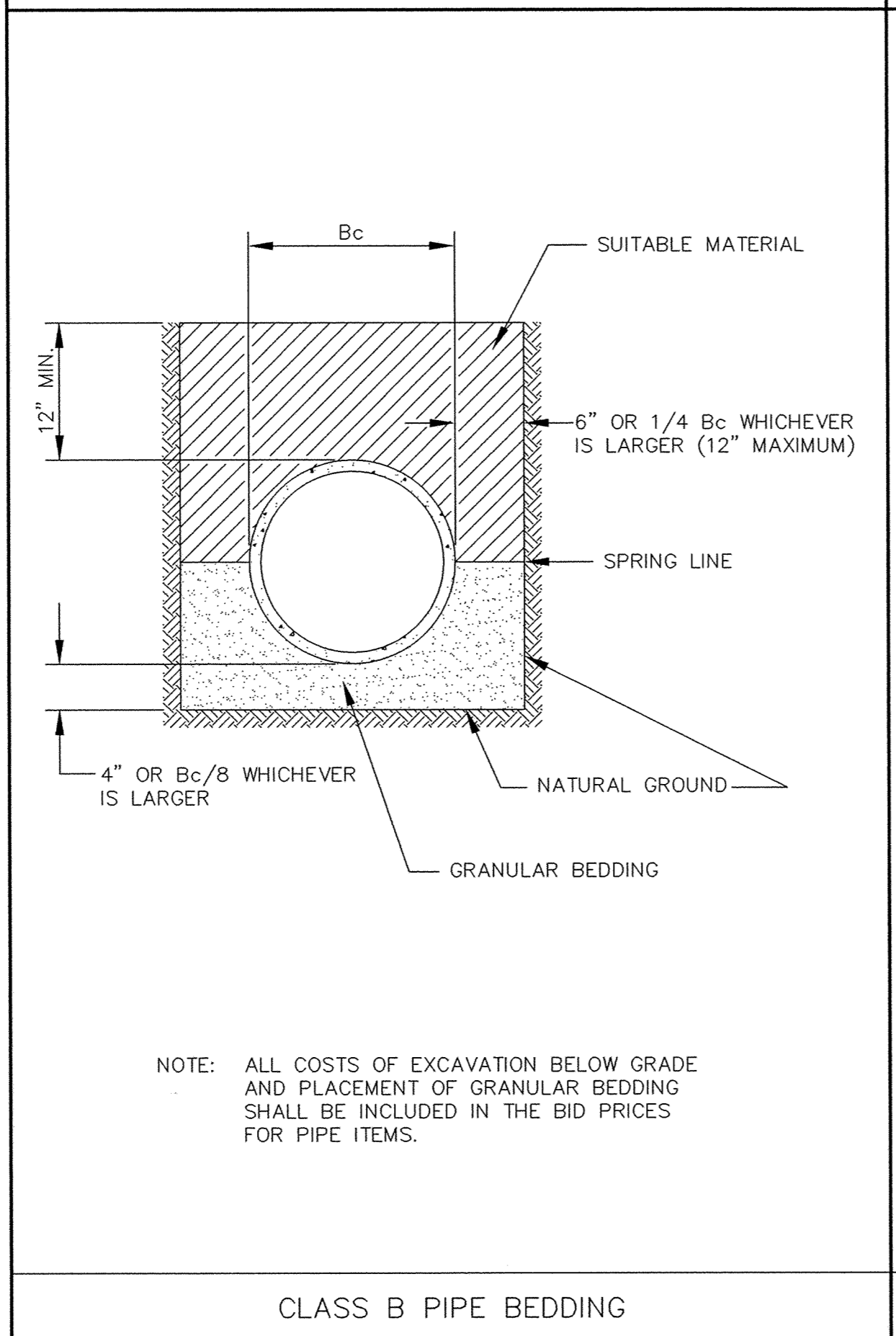
OUTSIDE DROP MANHOLE



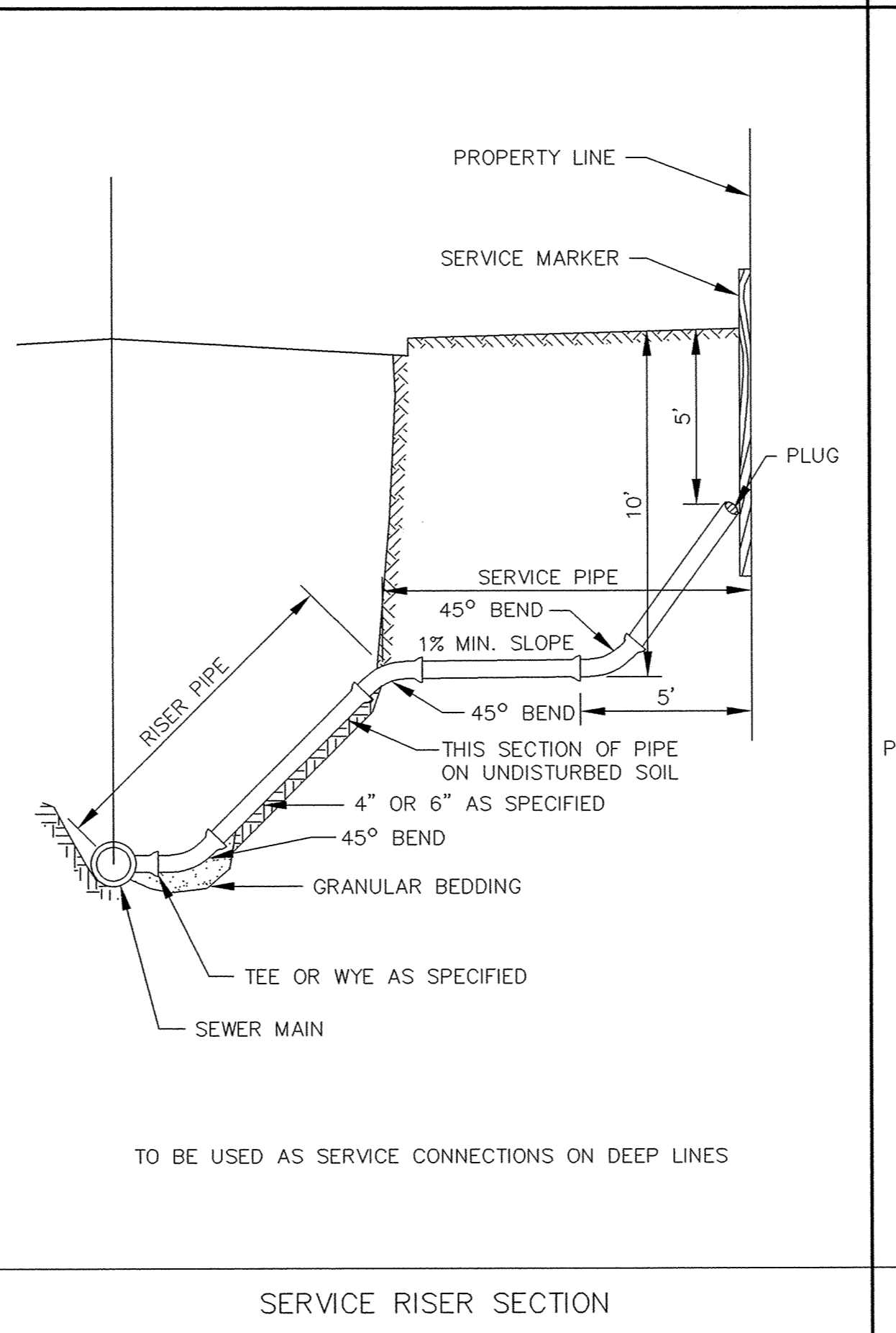
INSIDE DROP MANHOLE (TWO FEET OR LESS)



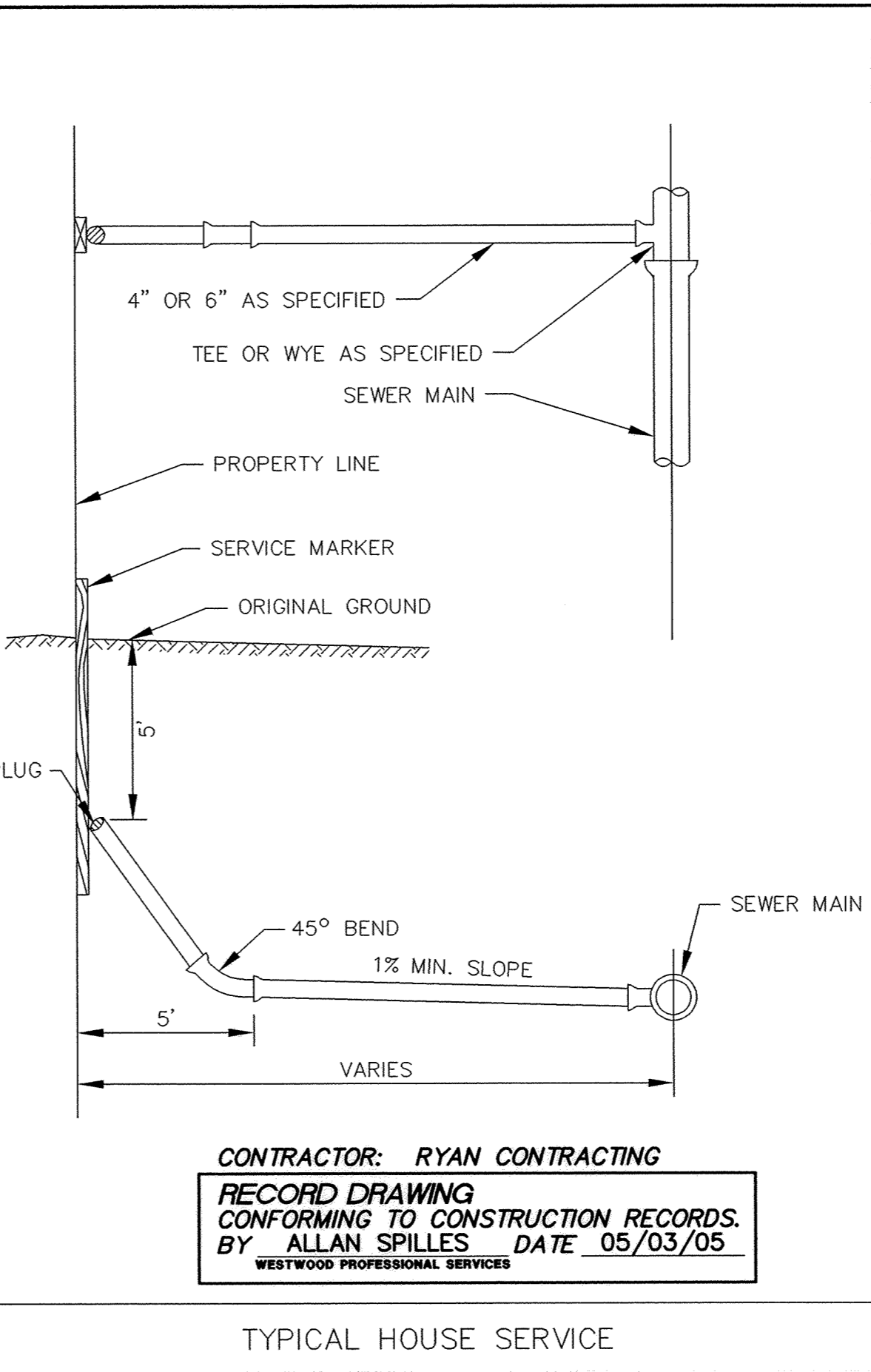
SLAB TOP MANHOLE



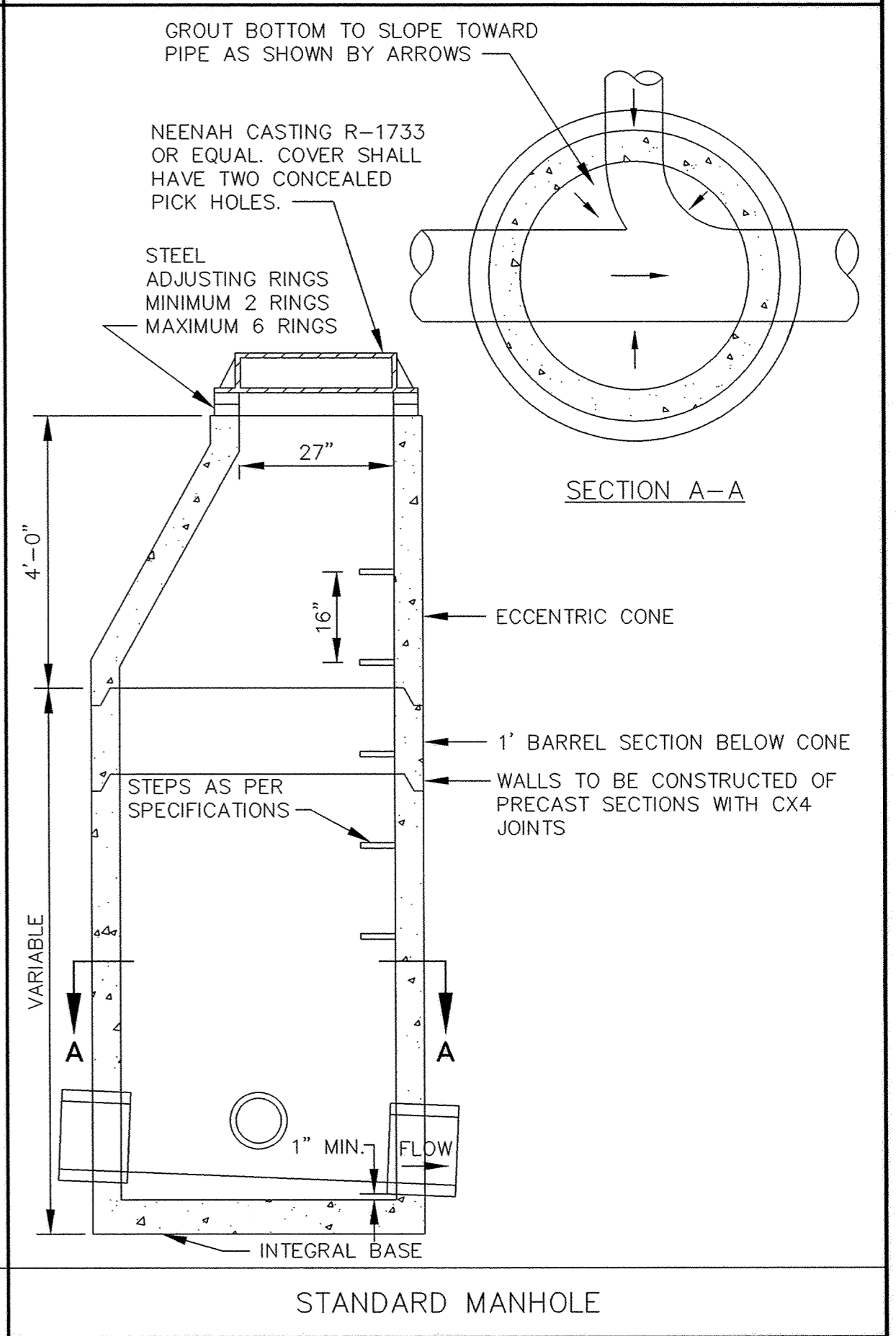
CLASS B PIPE BEDDING



SERVICE RISER SECTION



TYPICAL HOUSE SERVICE



STANDARD MANHOLE

Westwood Professional Services, Inc.
 7599 Anagram Drive
 Eden Prairie, MN 55344
 Phone: 952/937-5150 Fax: 952/937-5822

CENTEX HOMES

NOTE: ALL COSTS OF EXCAVATION BELOW GRADE AND PLACEMENT OF GRANULAR BEDDING SHALL BE INCLUDED IN THE BID PRICES FOR PIPE ITEMS.

NO.	DATE	BY	REVISION DESCRIPTION
1	05/03/05	GKB	RECORD DRAWING

1326 ENERGY PARK DRIVE
 ST. PAUL, MINNESOTA 55108
 (612) 644-4389
Howard R. Green Company
 CONSULTING ENGINEERS

CITY OF ELK RIVER
 ELK RIVER STATION - 2nd ADDITION
 SANITARY SEWER DETAILS

SHEET NO.
 11
 OF
 14

P:\20021058\02.dwg\RECORD\20021058\02DE01.dwg 5/2/2005 10:43:03 AM CST

DRAWING NUMBER
 ERST2.04
 11
 DRAWING NUMBER
 ERST2.04
 11
 DRAWING NUMBER
 ERST2.04
 11