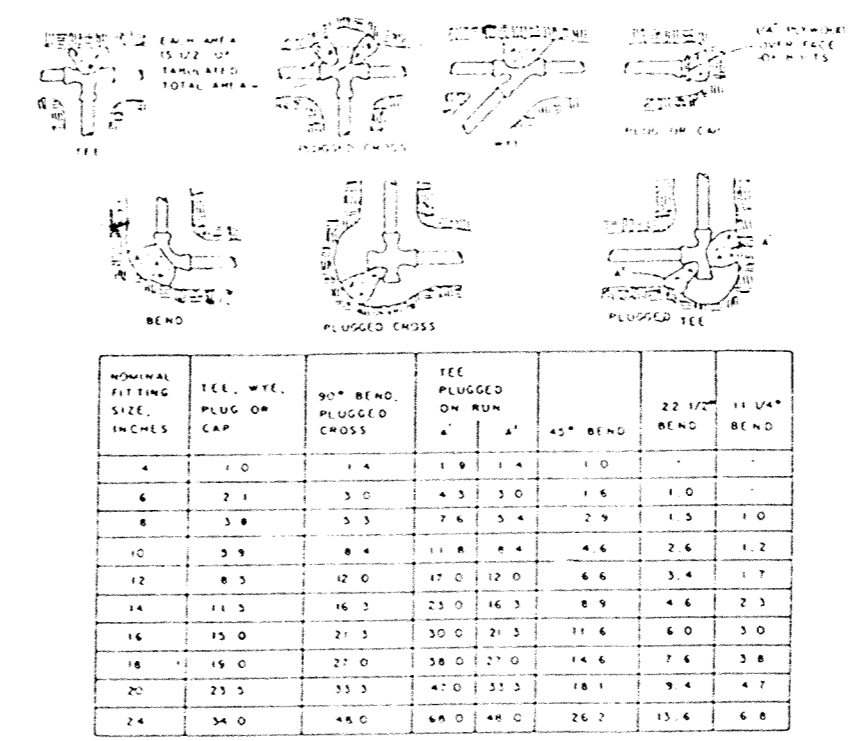
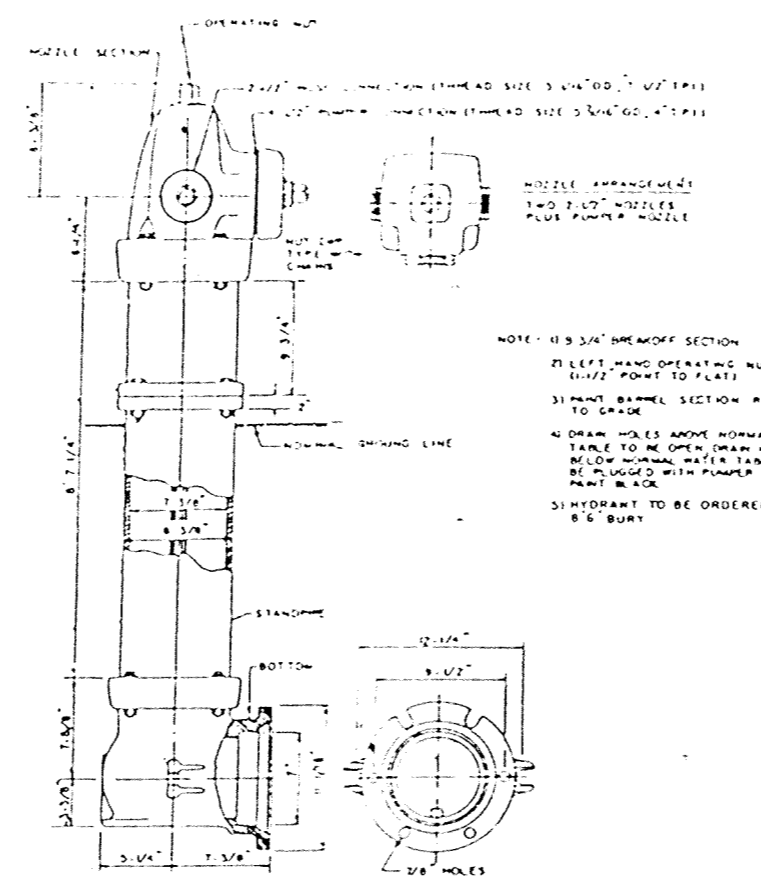


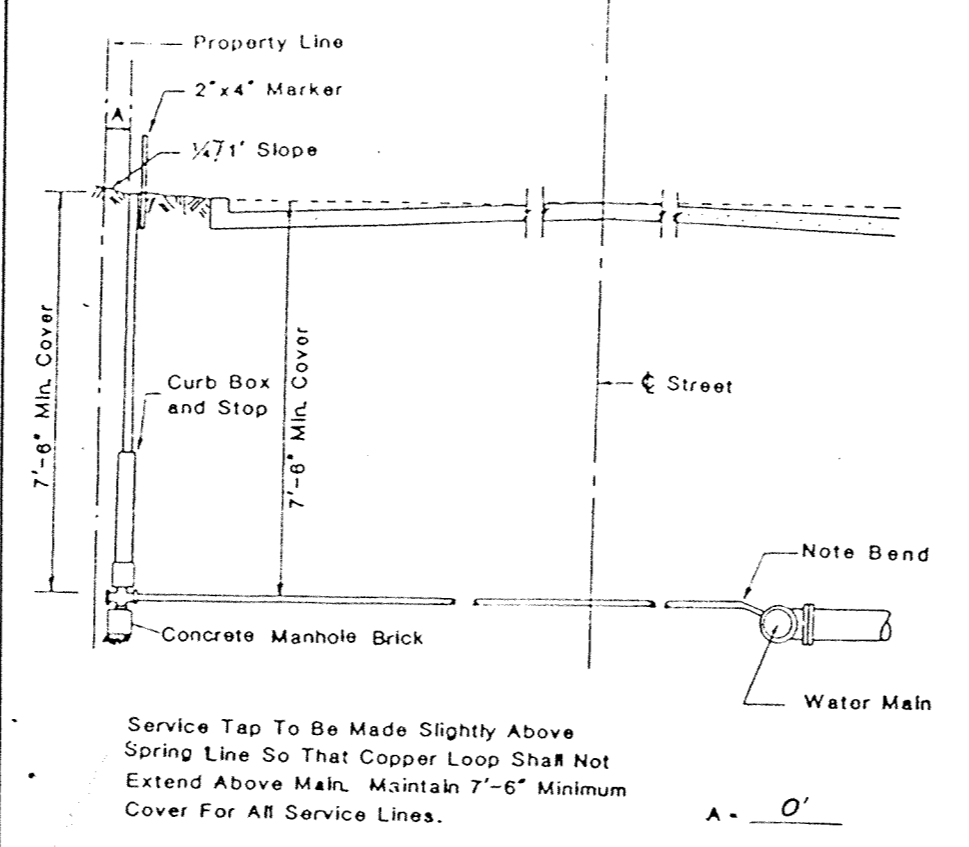
Standard Air Relief Manhole



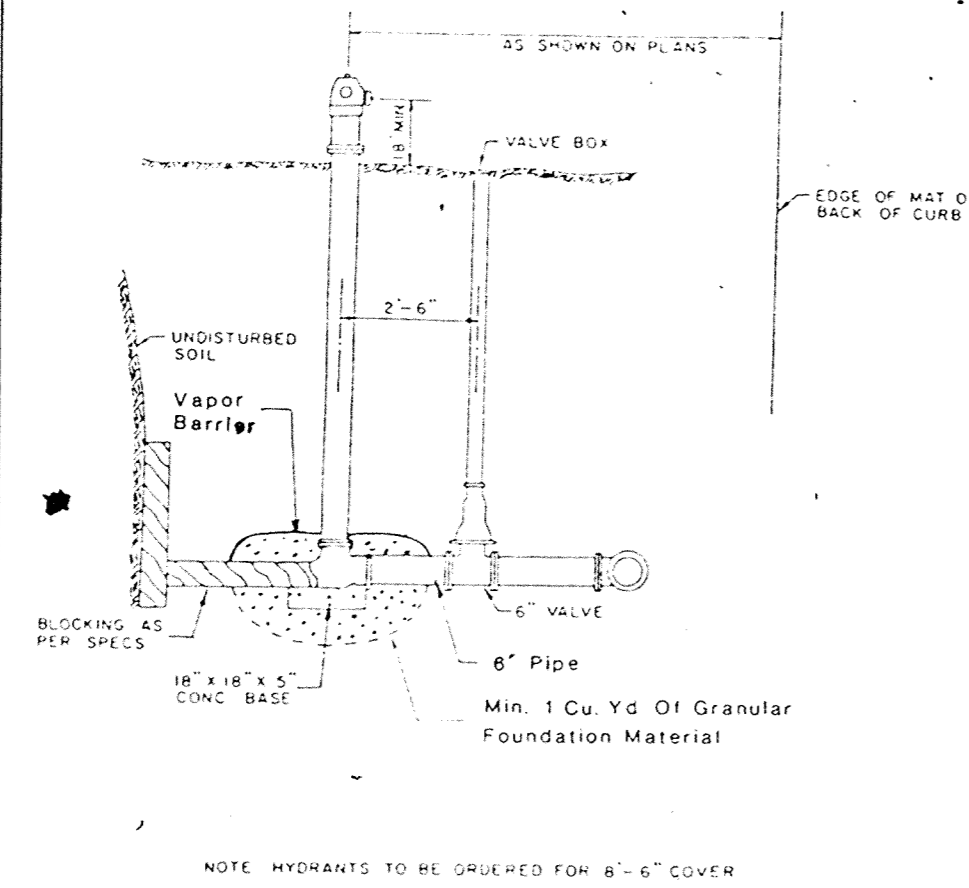
Thrust Blocking Detail



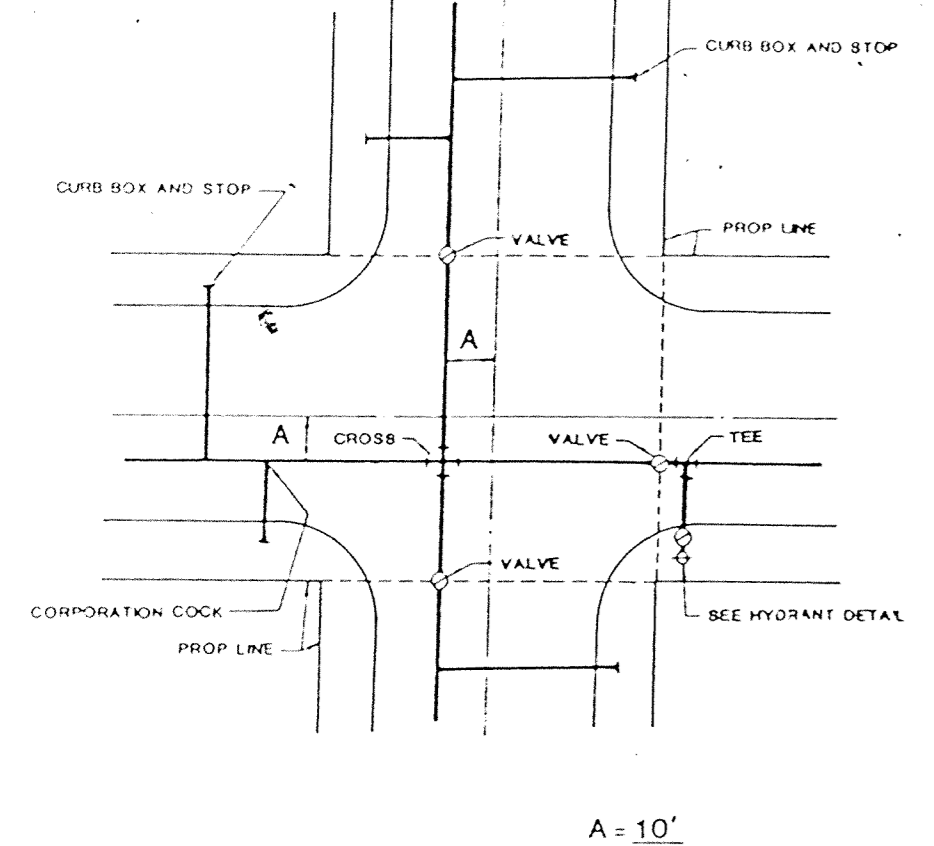
Pacer Traffic Flange Hydrant



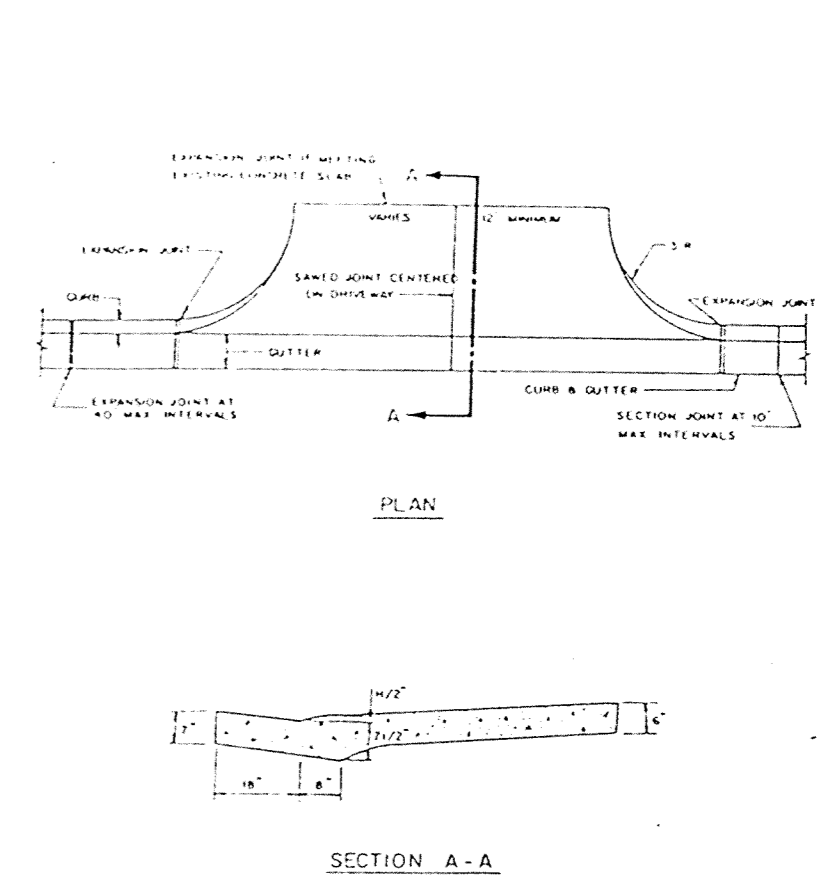
Typical Water Service Connection



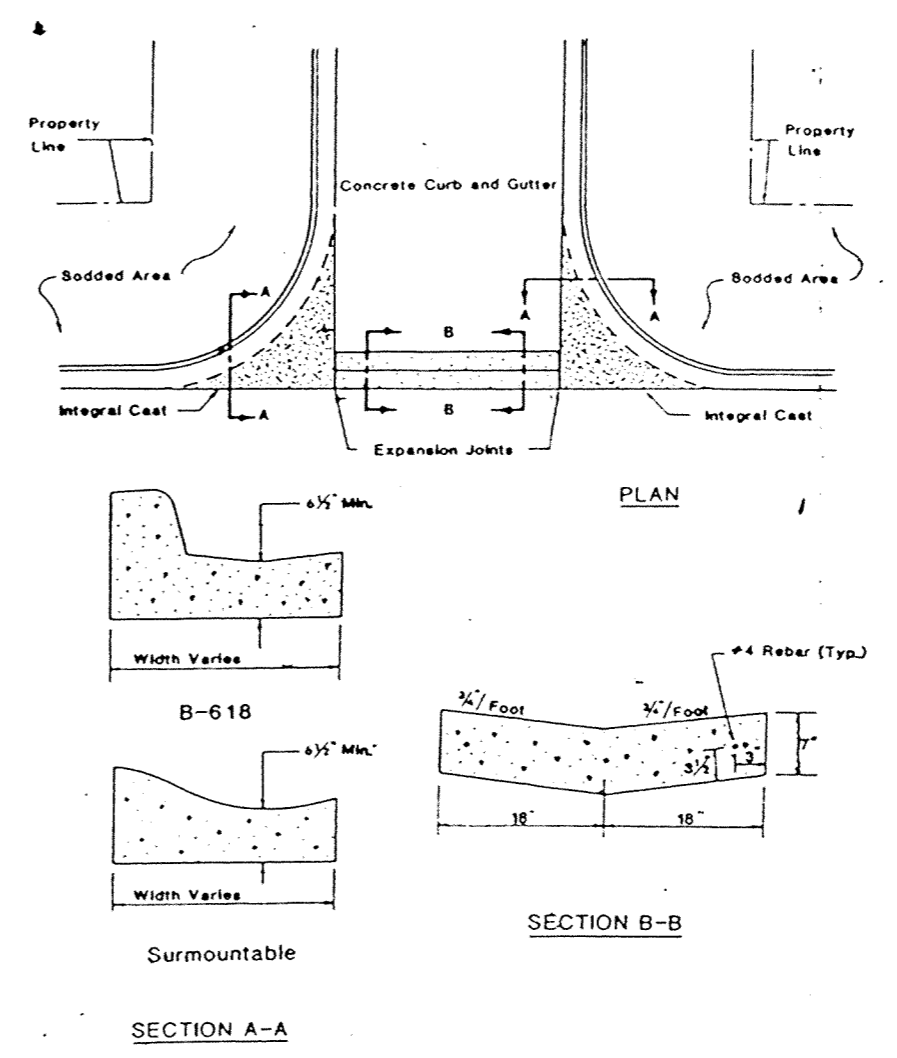
Typical Hydrant Lead Detail



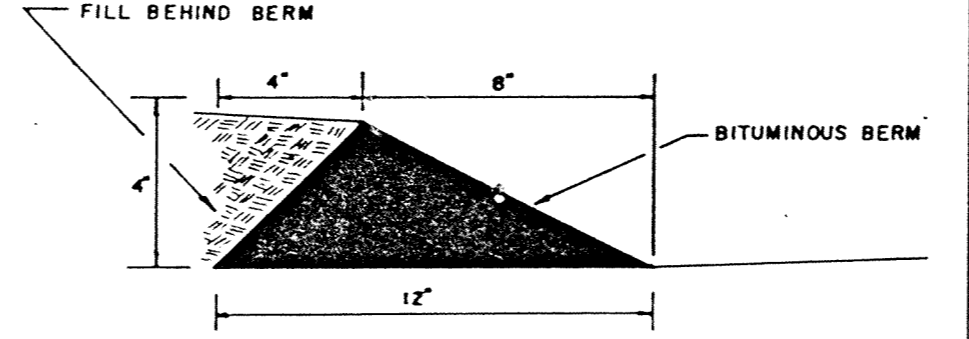
Typical Watermain Layout



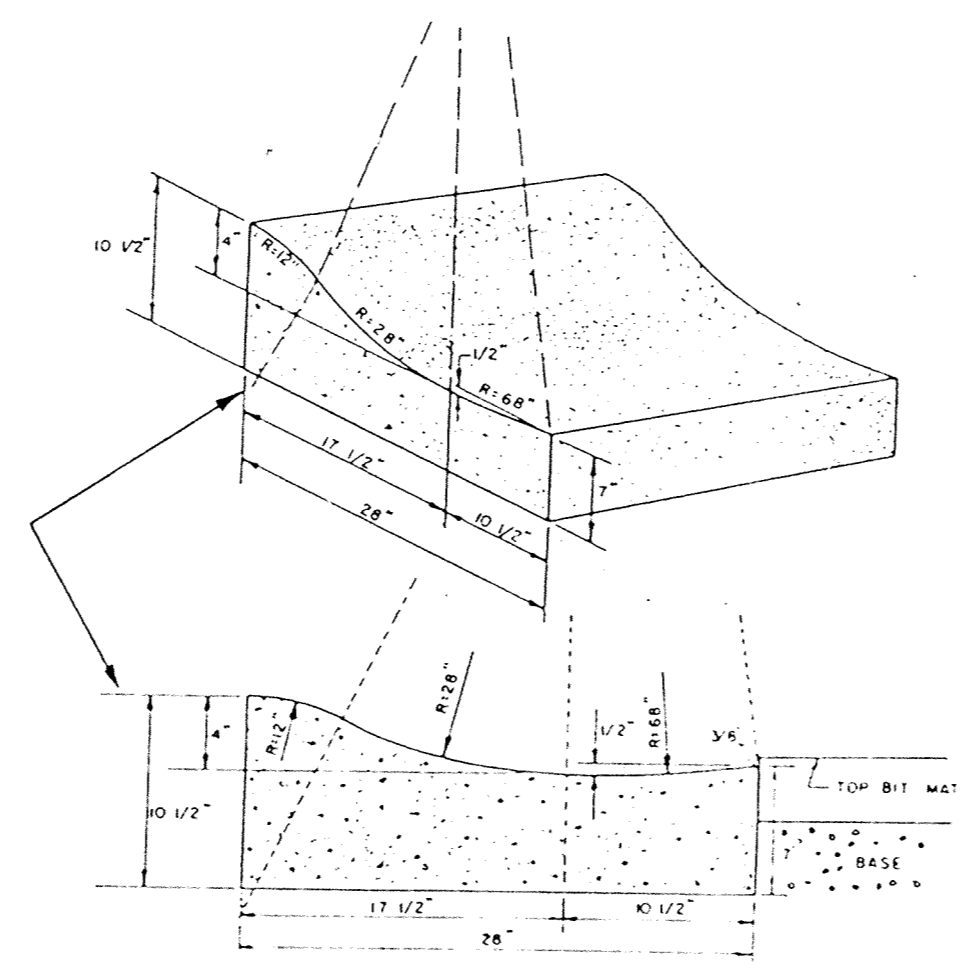
Residential Driveway Apron Detail



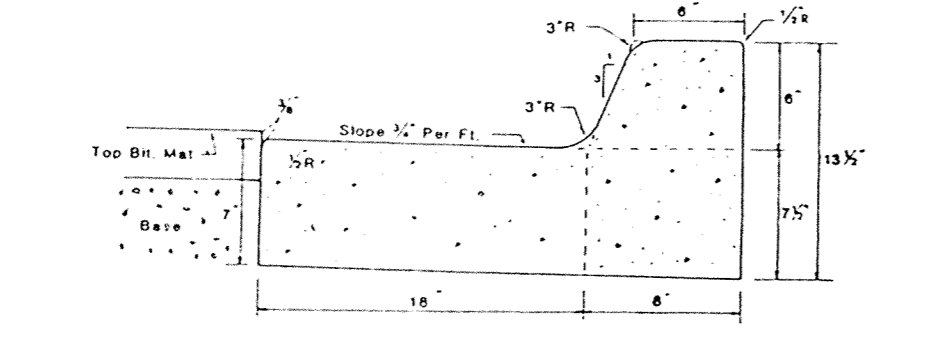
Concrete "V" Gutter Detail



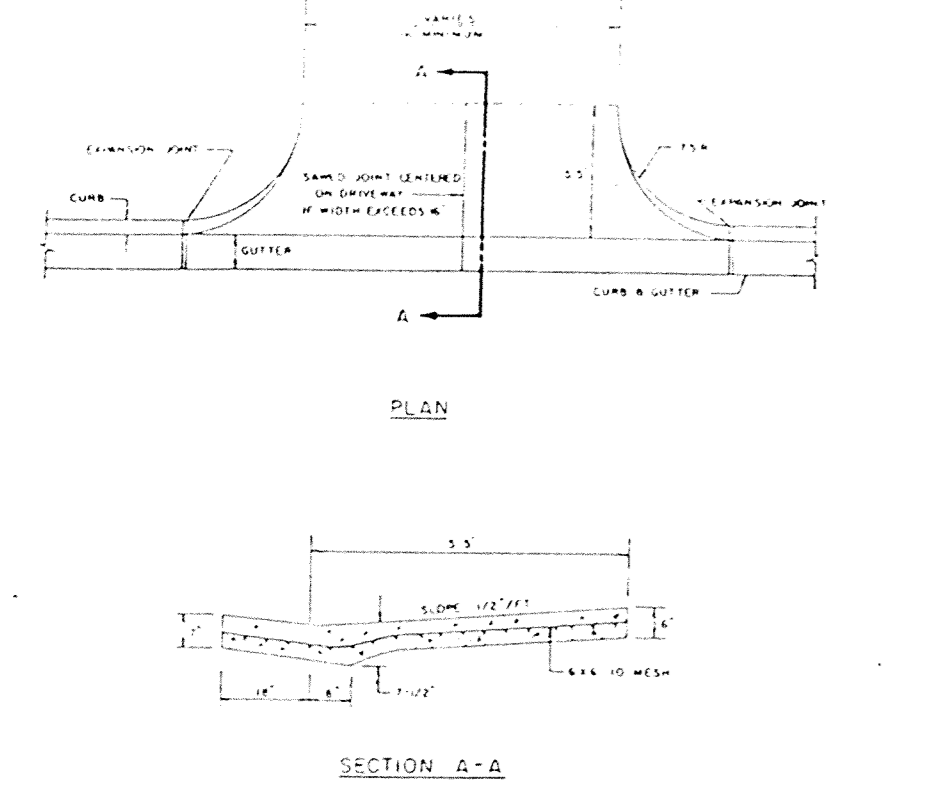
Integral Bituminous Berm



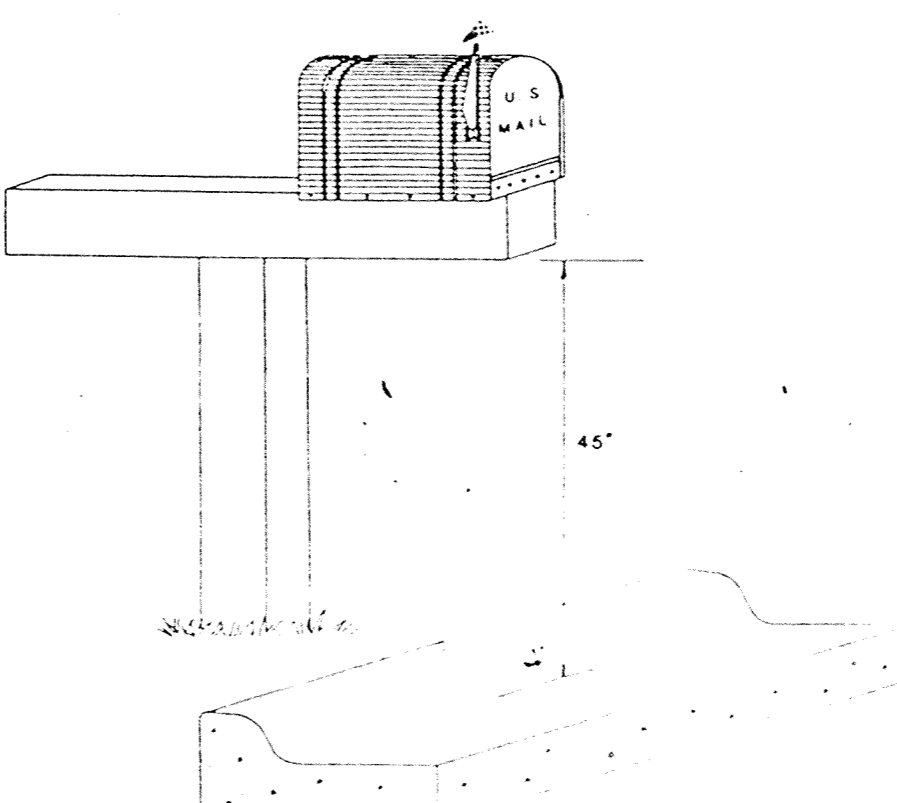
Surmountable Curb & Gutter



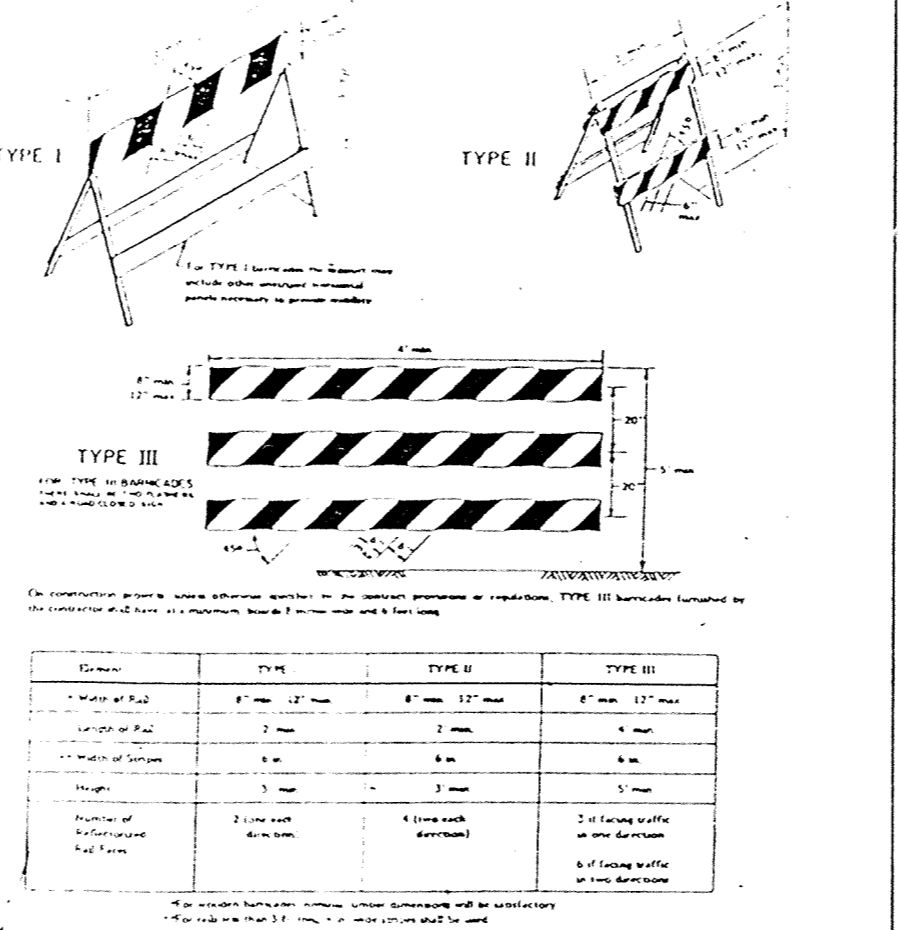
Concrete Curb & Gutter B-618



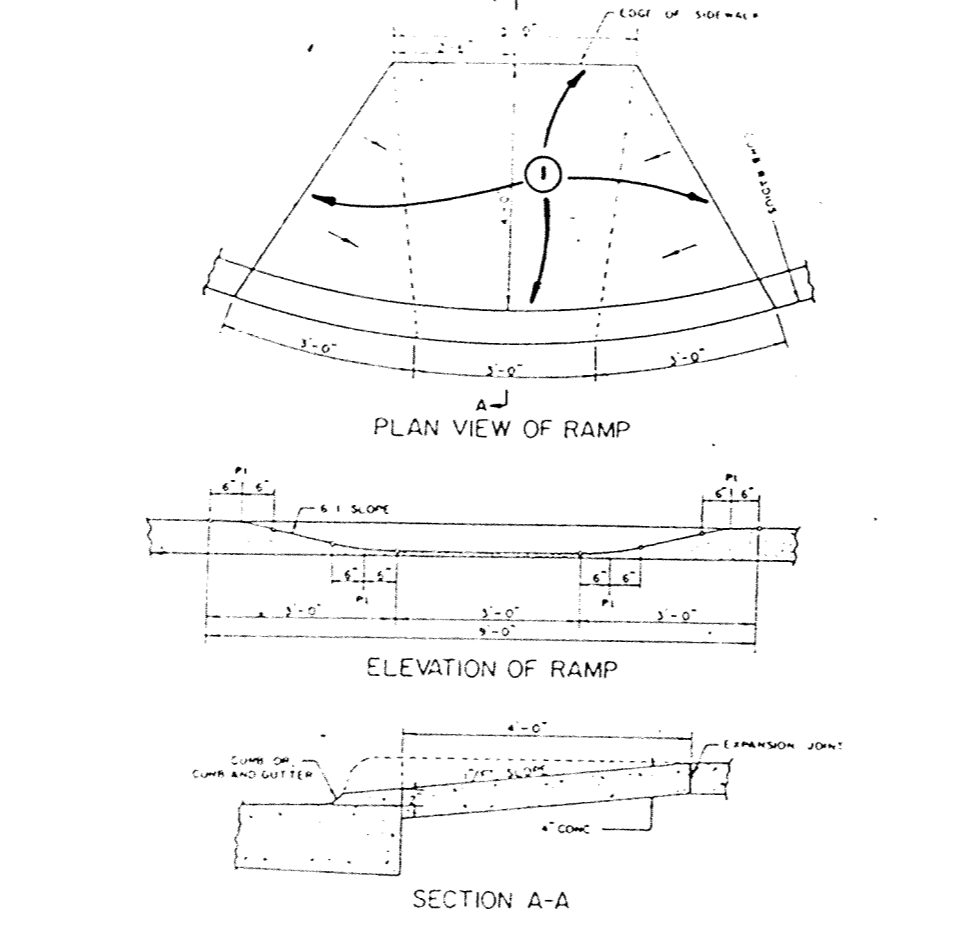
Commercial Driveway Apron Detail



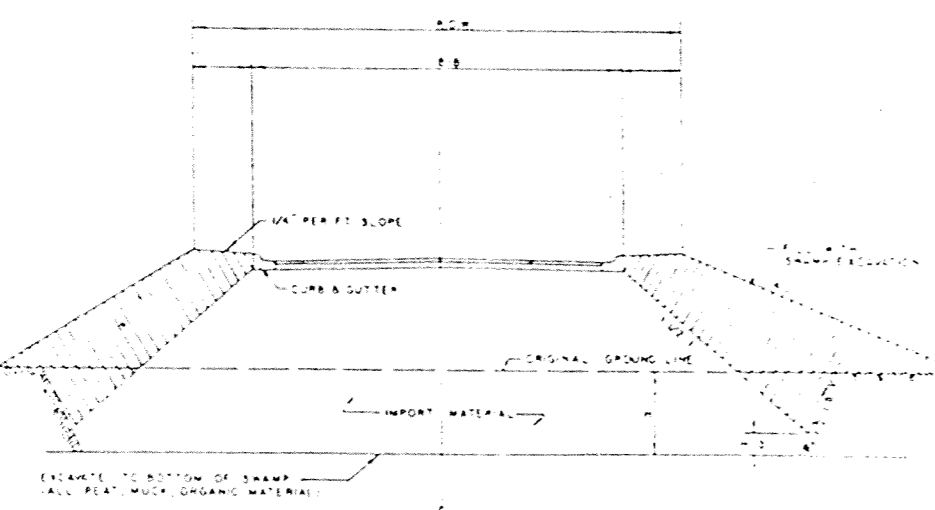
Mailbox Detail



Standard Barricades



Pedestrian Curb Ramp



Typical Swamp Section

AS-BUILT
 DRAWN BY: MRK Date: 12-26-89
 CHECKED BY:
 INSPECTOR: JGH Date: 1-22-88
 DESIGN ENGINEER: JGH Date: 1-22-88
 PARTY CHIEF: JGH Date: 1-22-88

I hereby certify that this plan, specification or report was prepared by me or under my direct supervision and that I am a duly Registered Professional Engineer under State of Minn. Statutes Sections 326.02 to 326.16.
 Date: 8/20/84 Minn. Reg. No. 14222

consulting engineers diversified inc.
 po box 1 osseo minnesota 55369 • (612) 425-2181

civil municipal planning environmental land surveying soil exploration

CITY OF ELK RIVER
 DETAIL PLATES
 WATERMAIN & STREET CONSTRUCTION

| | |
|-------------|-----|
| DESIGNED BY | CHK |
| CHECKED BY | MRJ |
| DRAWN BY | MRJ |

REVISIONS

SCALE: NONE

HORIZ. NONE

VERT. NONE

DATE: 6/21/84

SHEET: 3 OF 3 SHEETS

FILE NO.: ER-1397502