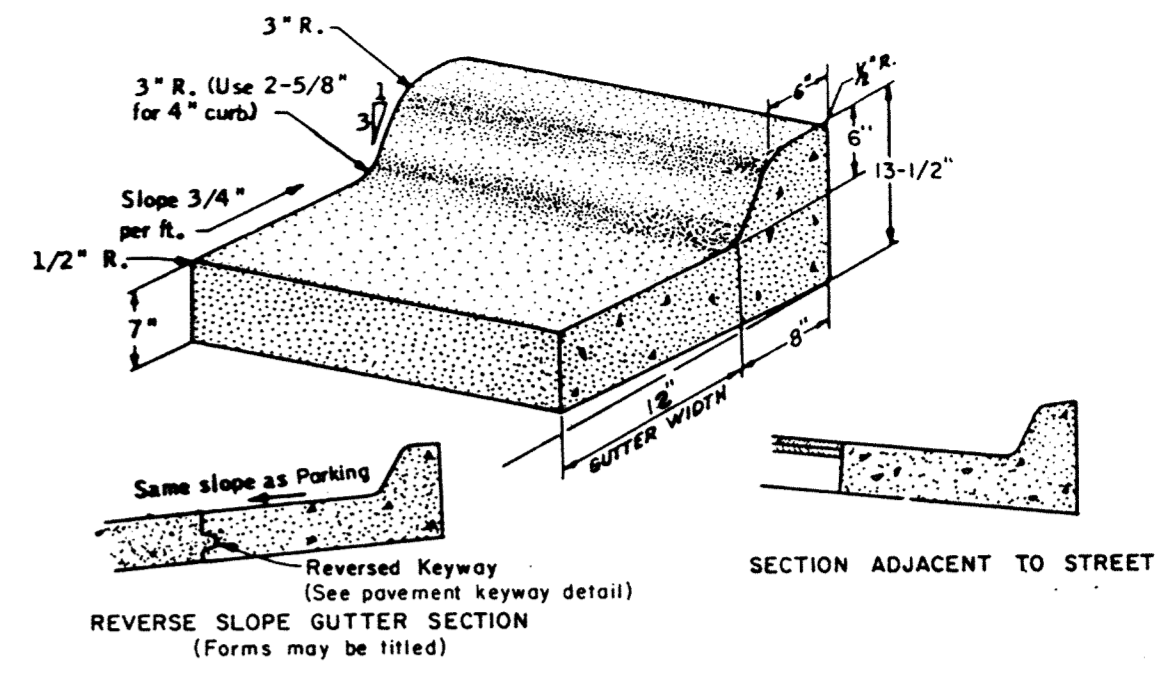


STORM SEWER SCHEDULE		
ITEM	CASTING	STRUCTURE
C.B.#1	NEENAH R 2573	48" PRECAST
C.B.#2	NEENAH R 2573	48" PRECAST
C.B.#3	NEENAH R 2573	48" PRECAST
C.B.#4	NEENAH R 2573	48" PRECAST
C.B.#5	NEENAH R 2573	48" PRECAST



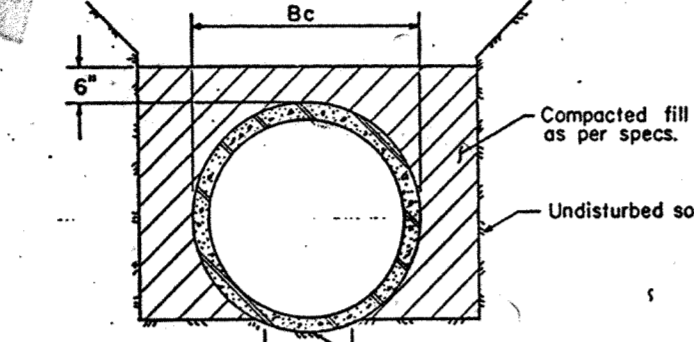
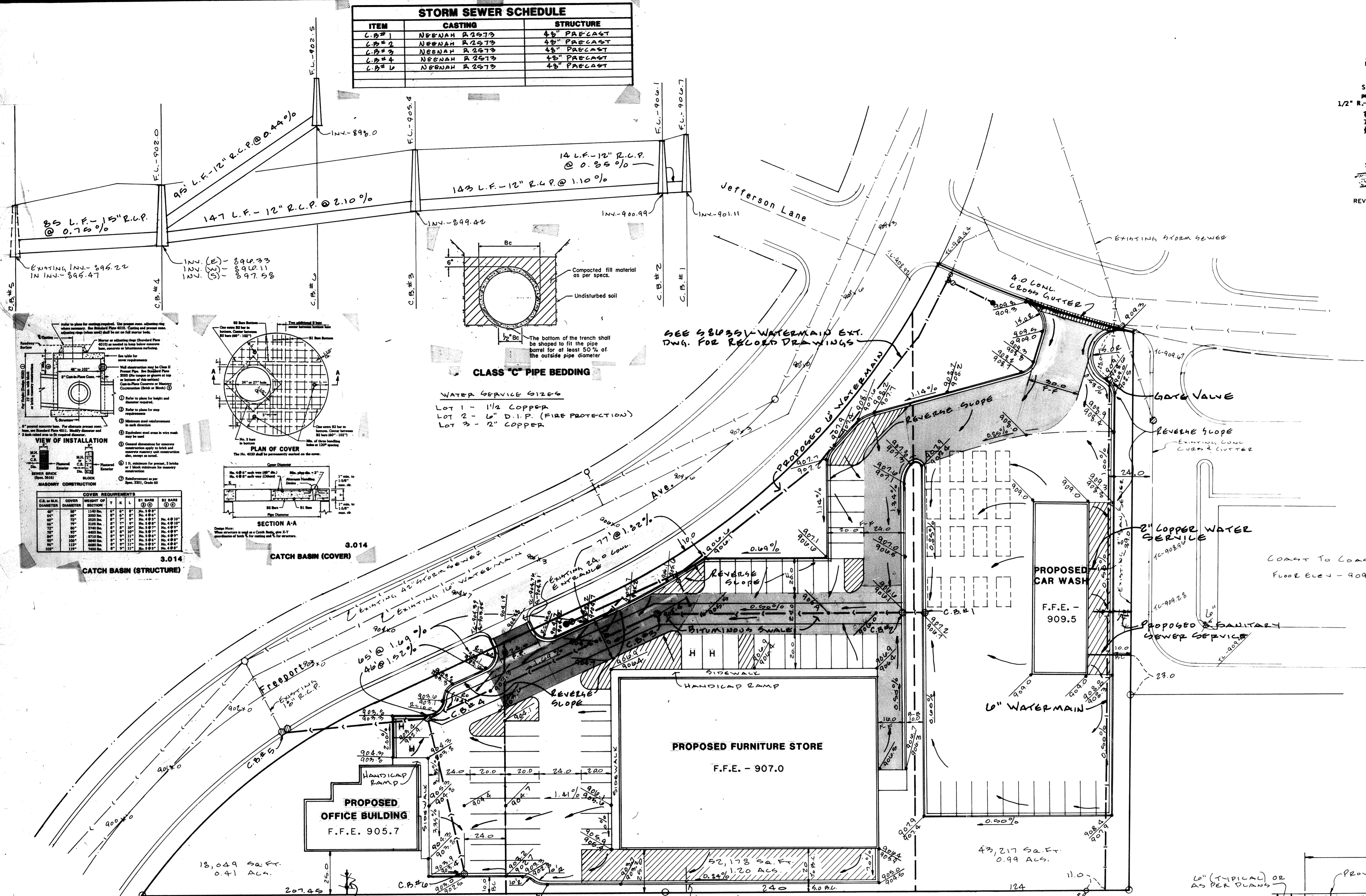
**B612 Conc. Curb & Gutter**  
No Scale

**LEGEND**

- B612 CONC. CURB & GUTTER
- PAINTED STRIPES
- TOP OF CURB ELEY, GUTTER ELEY, OR TOP OF BITUMINOUS ELEY.
- STORM SEWER CATCH BASIN
- STORM SEWER PIPE
- 9 TON STREET SECTION

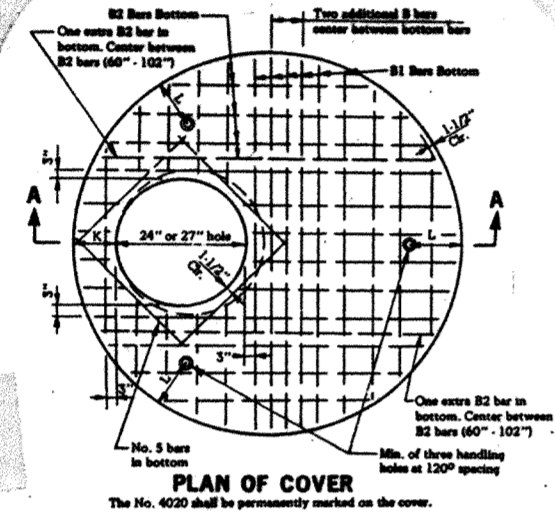


Lot 3, Block 1  
ELK RIVER PLAZA SECOND ADDITION  
Sherburne County, Mn.



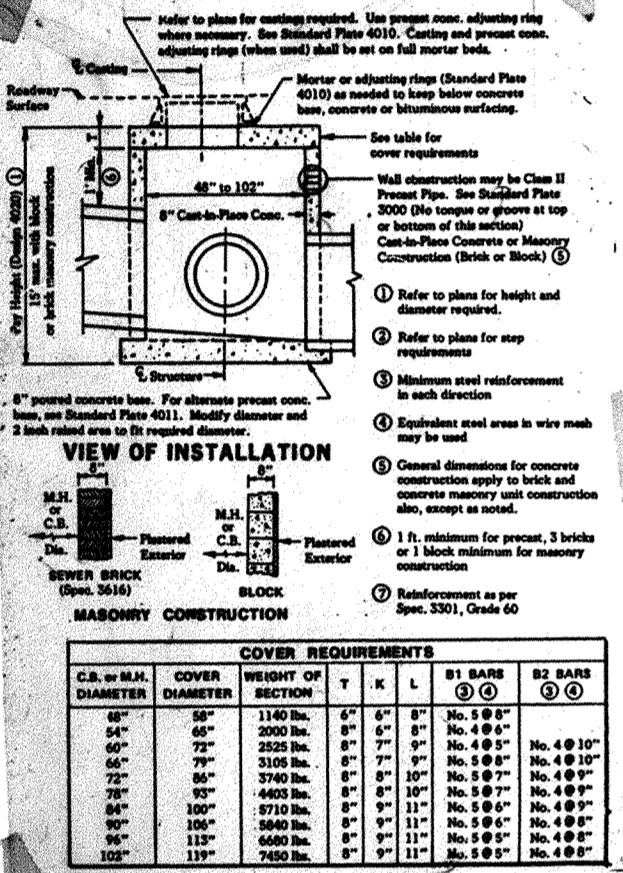
**CLASS 'C' PIPE BEDDING**

WATER SERVICE SIZES  
LOT 1 - 1 1/2" COPPER  
LOT 2 - 6" D.I.P. (FIRE PROTECTION)  
LOT 3 - 2" COPPER

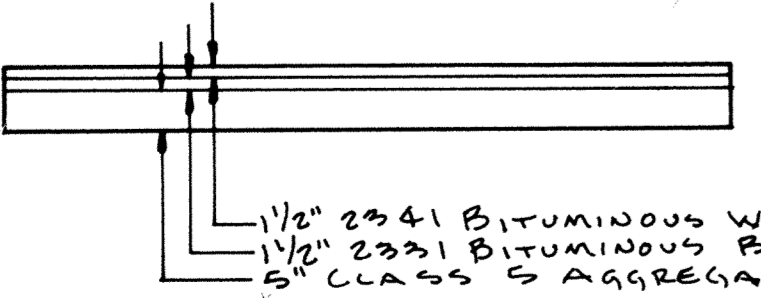


**CATCH BASIN (COVER)**

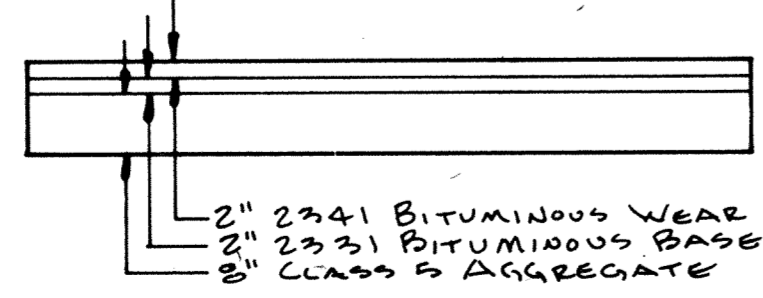
**CATCH BASIN (STRUCTURE)**



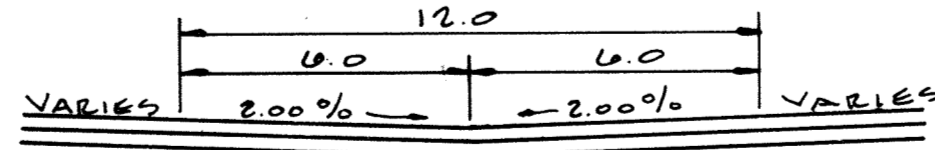
C.B. DIA.	COVER DIA.	HEIGHT OF COVER	NO. OF RINGS	NO. OF RINGS	NO. OF RINGS	NO. OF RINGS	NO. OF RINGS
48"	48"	11.00	1	1	1	1	1
48"	48"	11.00	1	1	1	1	1
48"	48"	11.00	1	1	1	1	1
48"	48"	11.00	1	1	1	1	1
48"	48"	11.00	1	1	1	1	1
48"	48"	11.00	1	1	1	1	1
48"	48"	11.00	1	1	1	1	1
48"	48"	11.00	1	1	1	1	1
48"	48"	11.00	1	1	1	1	1
48"	48"	11.00	1	1	1	1	1



**TYPICAL 7 TON STREET SECTION**  
No Scale

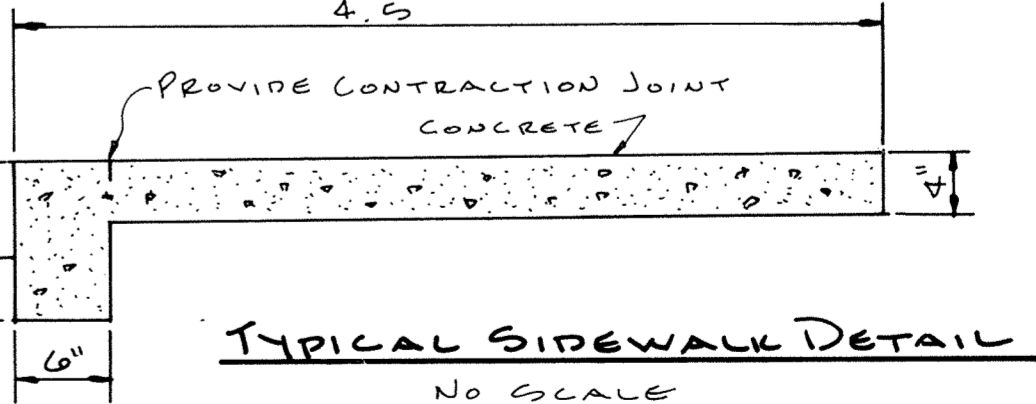


**TYPICAL 9 TON STREET SECTION**  
No Scale



**BITUMINOUS SWALE**  
No Scale

NOTES: 1. TYPICAL PARKING STALL TO BE 9.0 X 20.0 UNLESS OTHERWISE INDICATED



**TYPICAL SIDEWALK DETAIL**  
No Scale

**RECORD DRAWINGS**

I hereby certify that this plan, specification, or report was prepared by me or under my direct supervision and that I am a duly Registered Professional Engineer under the laws of the State of Minnesota. <i>Shouh Mayan</i> Date 8-17-87 Reg No 6218	MEYER-ROHLIN, INC. ENGINEERS-LAND SURVEYORS 1111 Hwy 25N, Buffalo, Minn. 55313		GRADING AND DRAINAGE PLAN		Sheet 1 of 1
			ELK RIVER PLAZA 2ND ADDITION		
Elk River, Mn.			Horizontal Scale 1" = 30' feet	Vertical Scale 1" = 1' feet	Book _____ By _____
Date 8-17-87			Checked by	Drawn by RKN	File No ERPLA287

DRAWING NUMBER

DRAWING NUMBER

DRAWING NUMBER

DRAWING NUMBER  
ERPLA287