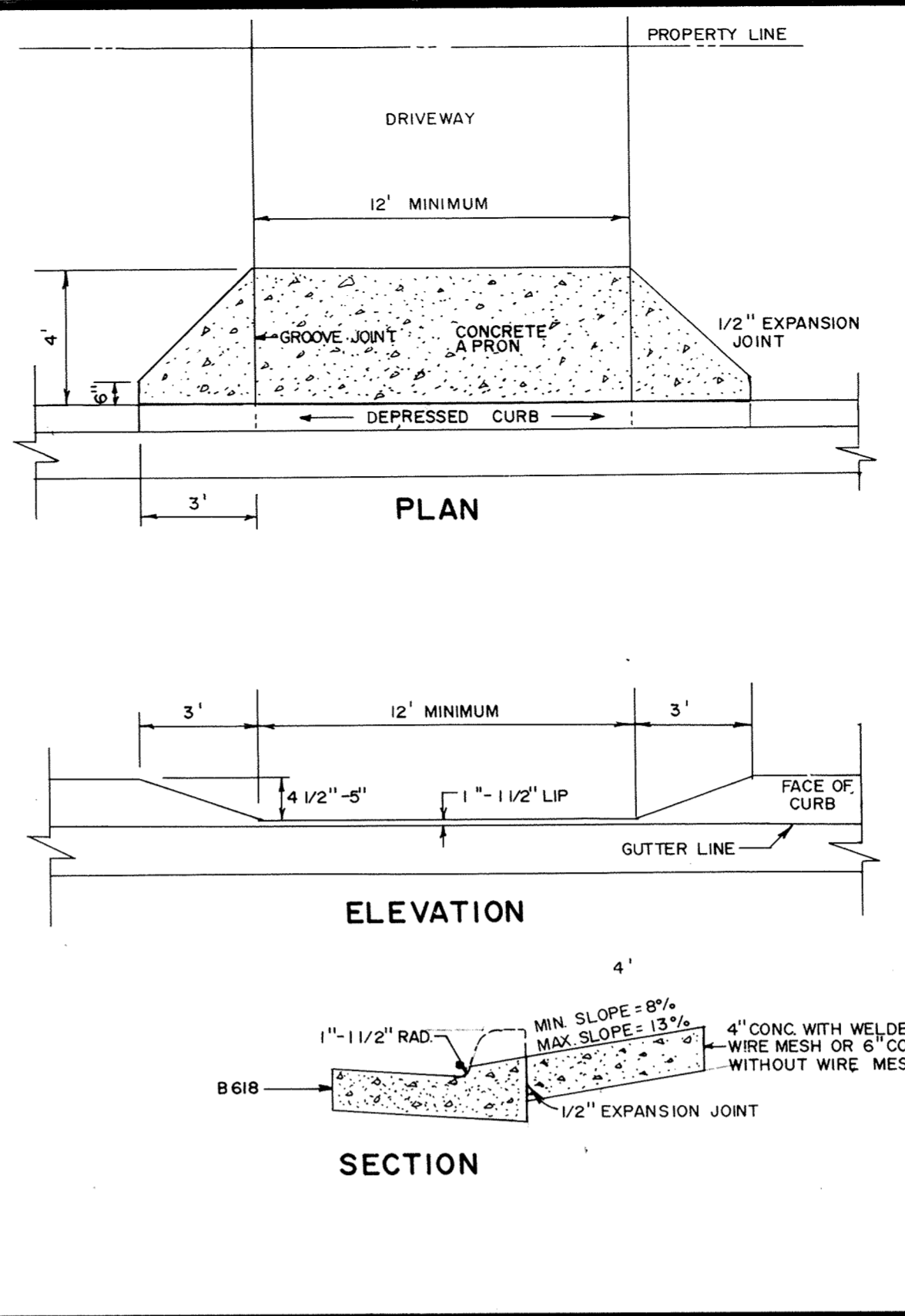
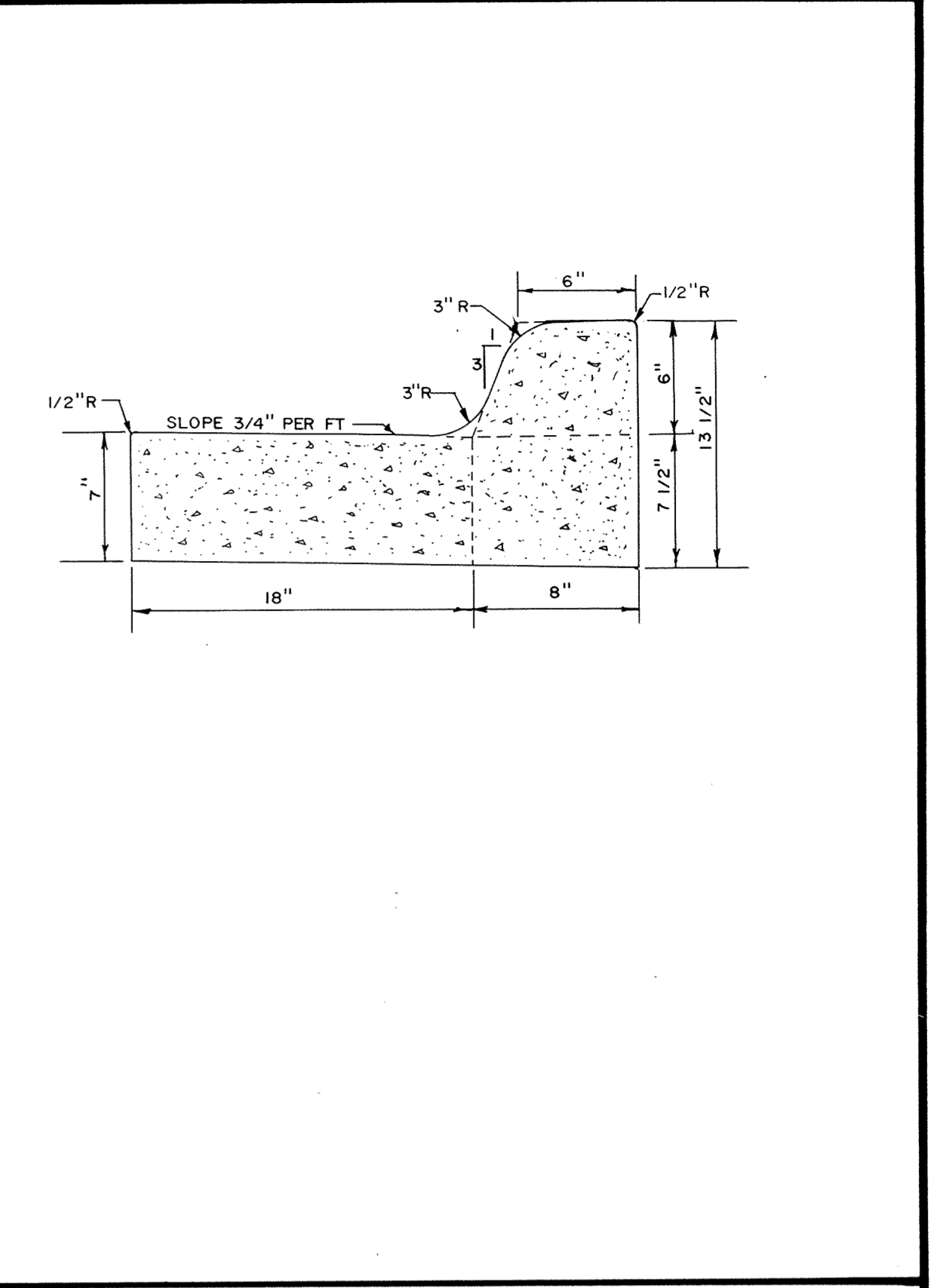


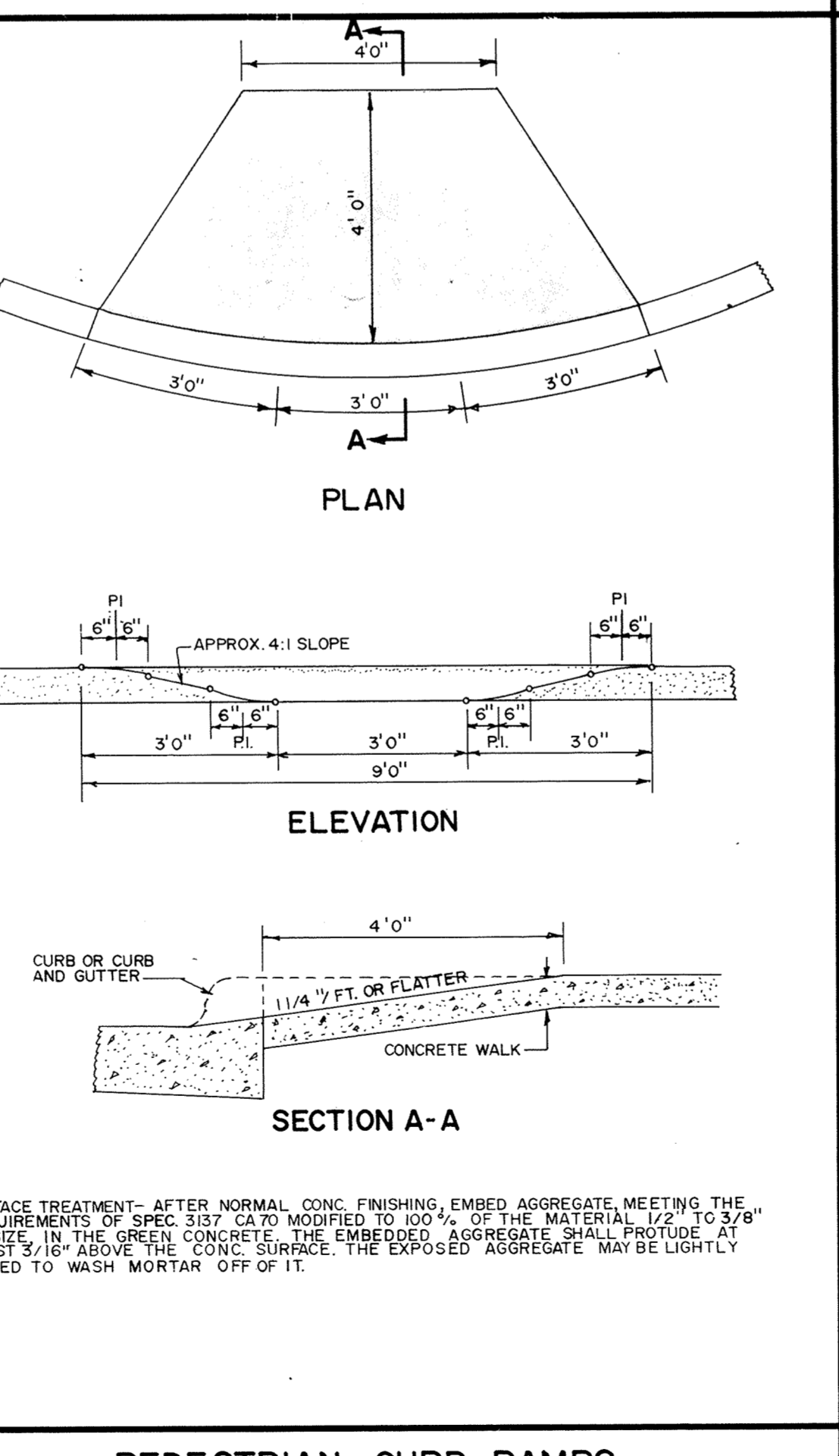
MAIL BOX



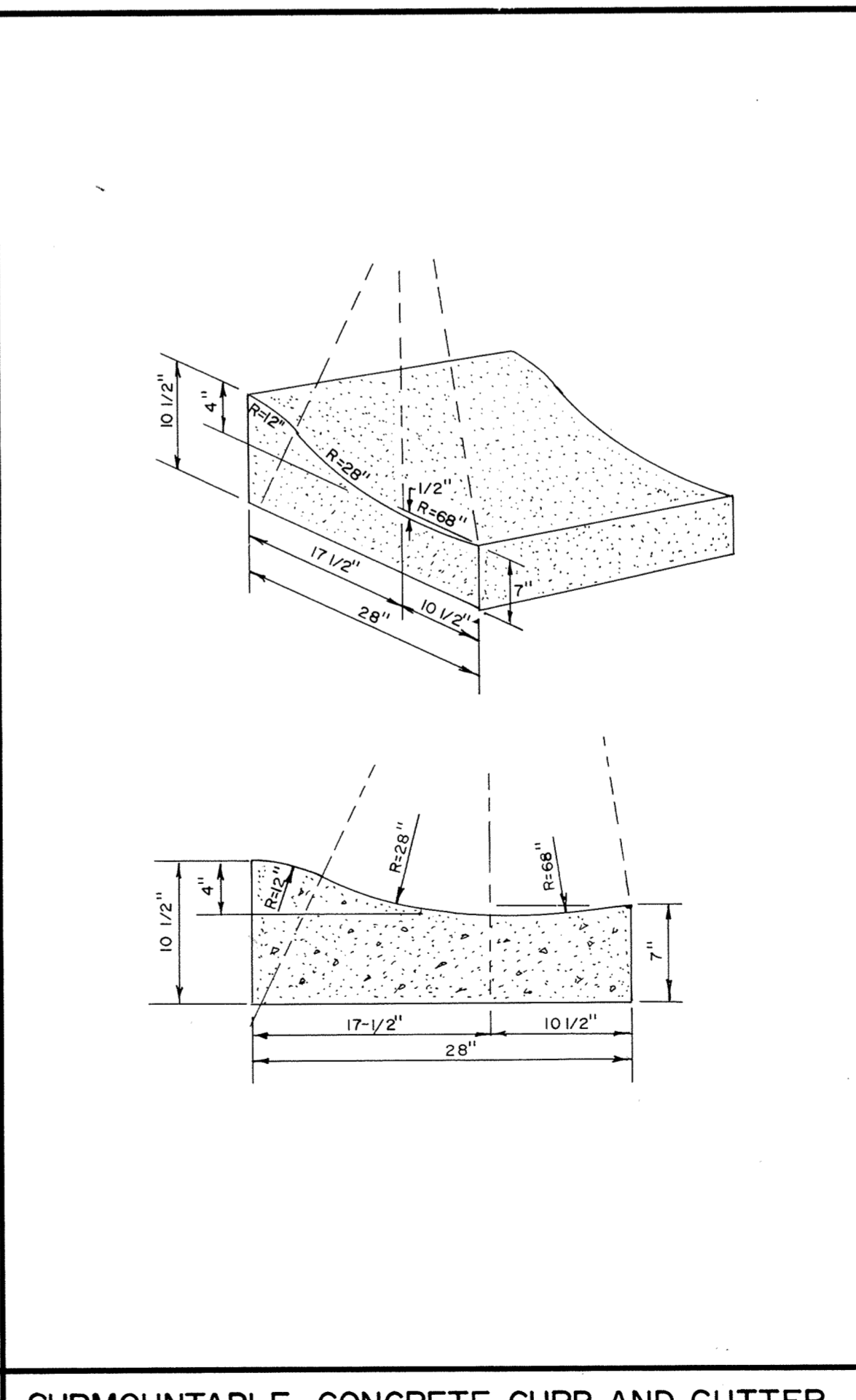
DEPRESSED CURB W/DRIVEWAY APRON



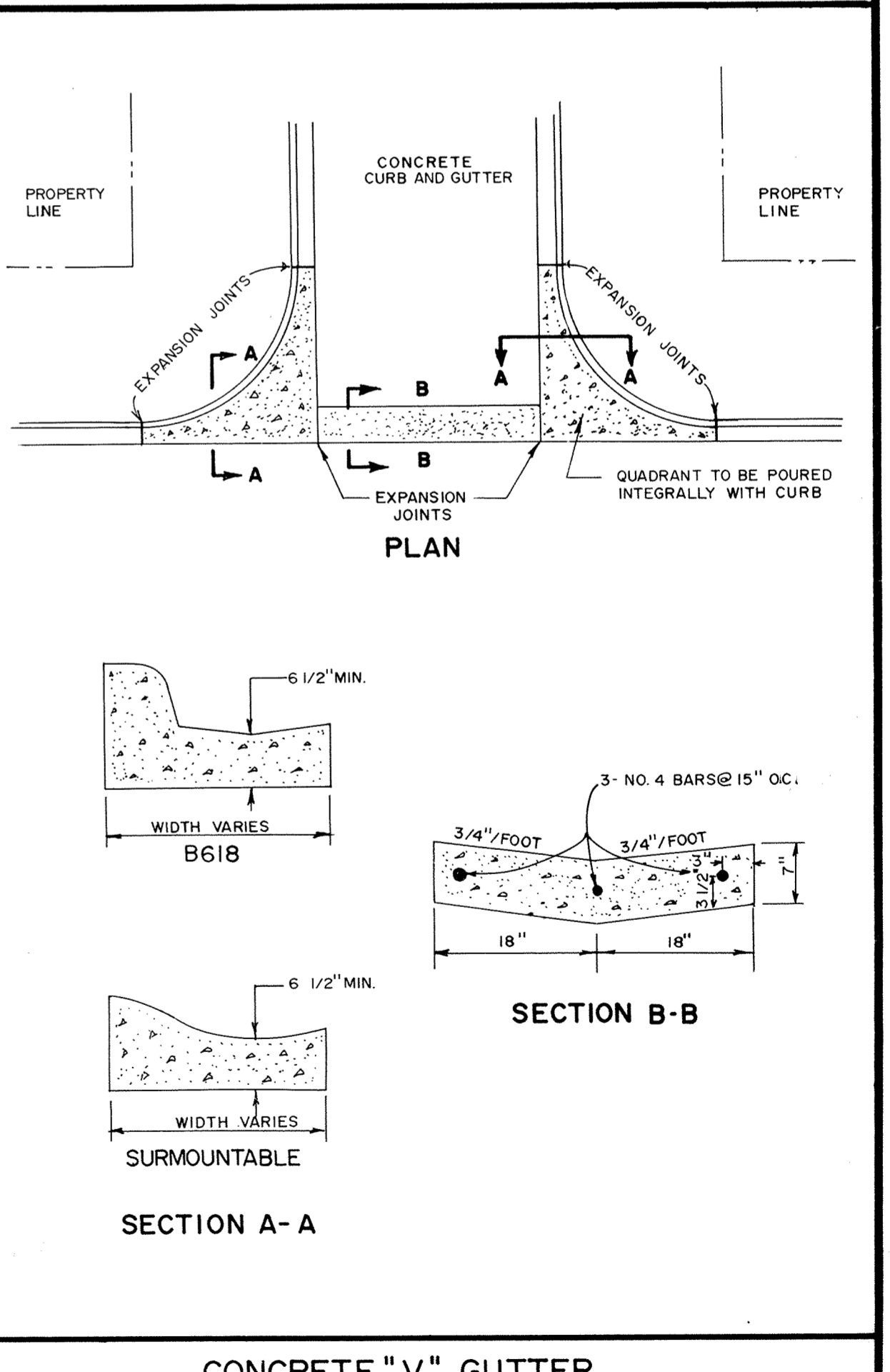
CONCRETE CURB AND GUTTER B618



PEDESTRIAN CURB RAMPS



SURMOUNTABLE CONCRETE CURB AND GUTTER



CONCRETE "V" GUTTER

SURFACE TREATMENT- AFTER NORMAL CONC. FINISHING, EMBED AGGREGATE, MEETING THE REQUIREMENTS OF SPEC 317 CA70 MODIFIED TO 100% OF THE MATERIAL, 1/2" TO 3/8" IN SIZE, IN THE GREEN CONCRETE. THE EMBEDDED AGGREGATE SHALL PROTRUDE AT LEAST 3/16" ABOVE THE CONC. SURFACE. THE EXPOSED AGGREGATE MAY BE LIGHTLY RINSED TO WASH MORTAR OFF OF IT.

Maier Stewart & Associates Inc.
CONSULTING ENGINEERS
1959 SLOAN PLACE (612) 774-6021 ST. PAUL, MINNESOTA 55117

DATE	DESCRIPTION	DESIGNED
		CHECKED
		DRAWN <i>MJR</i>
		GRAPHIC SCALE
		0 HORIZ. NONE
		0 VERT.

STREET CONSTRUCTION DETAILS

DATE JAN 1987 SHEET 17 OF 17 SHEETS PROJECT NO. 230-002