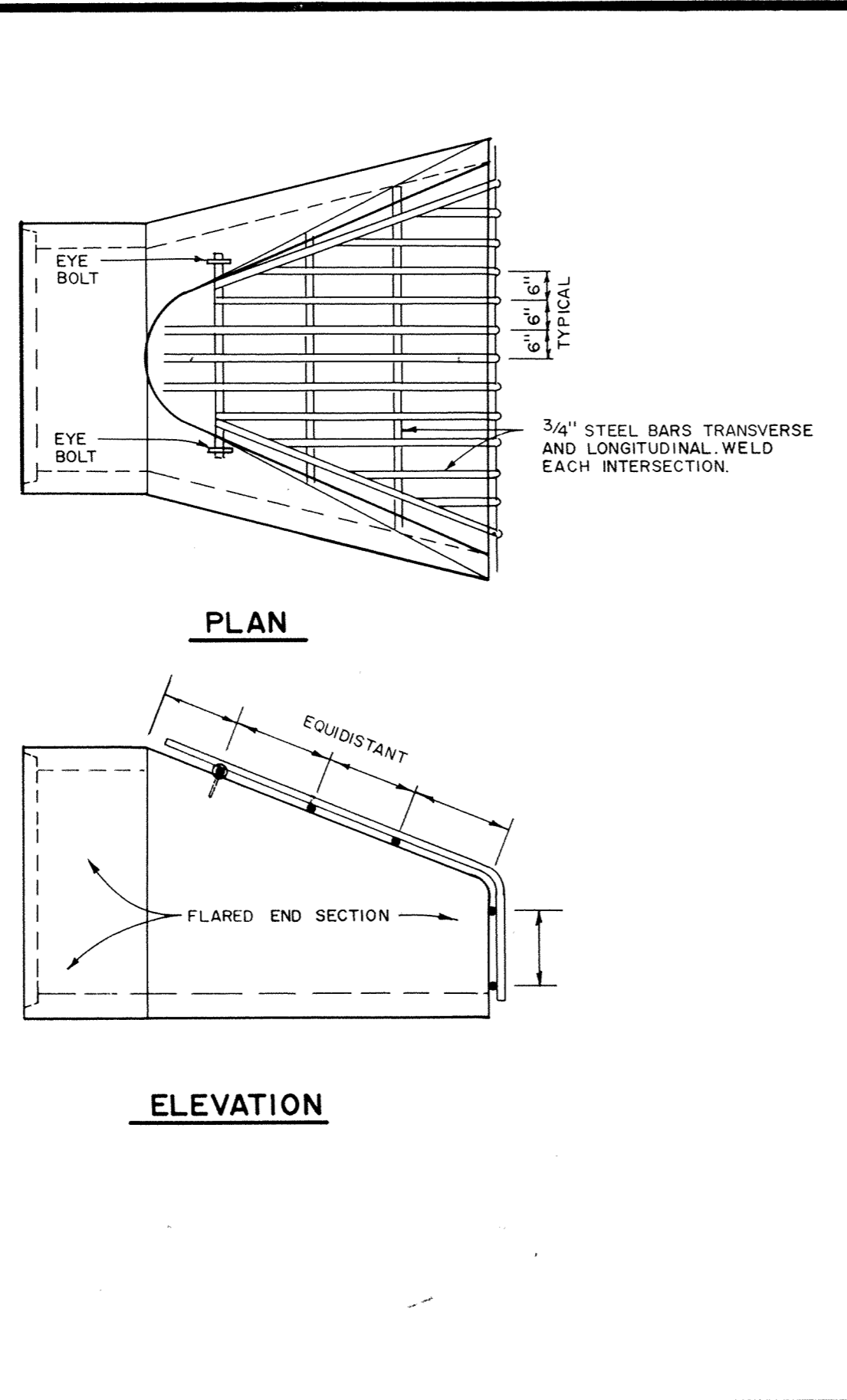
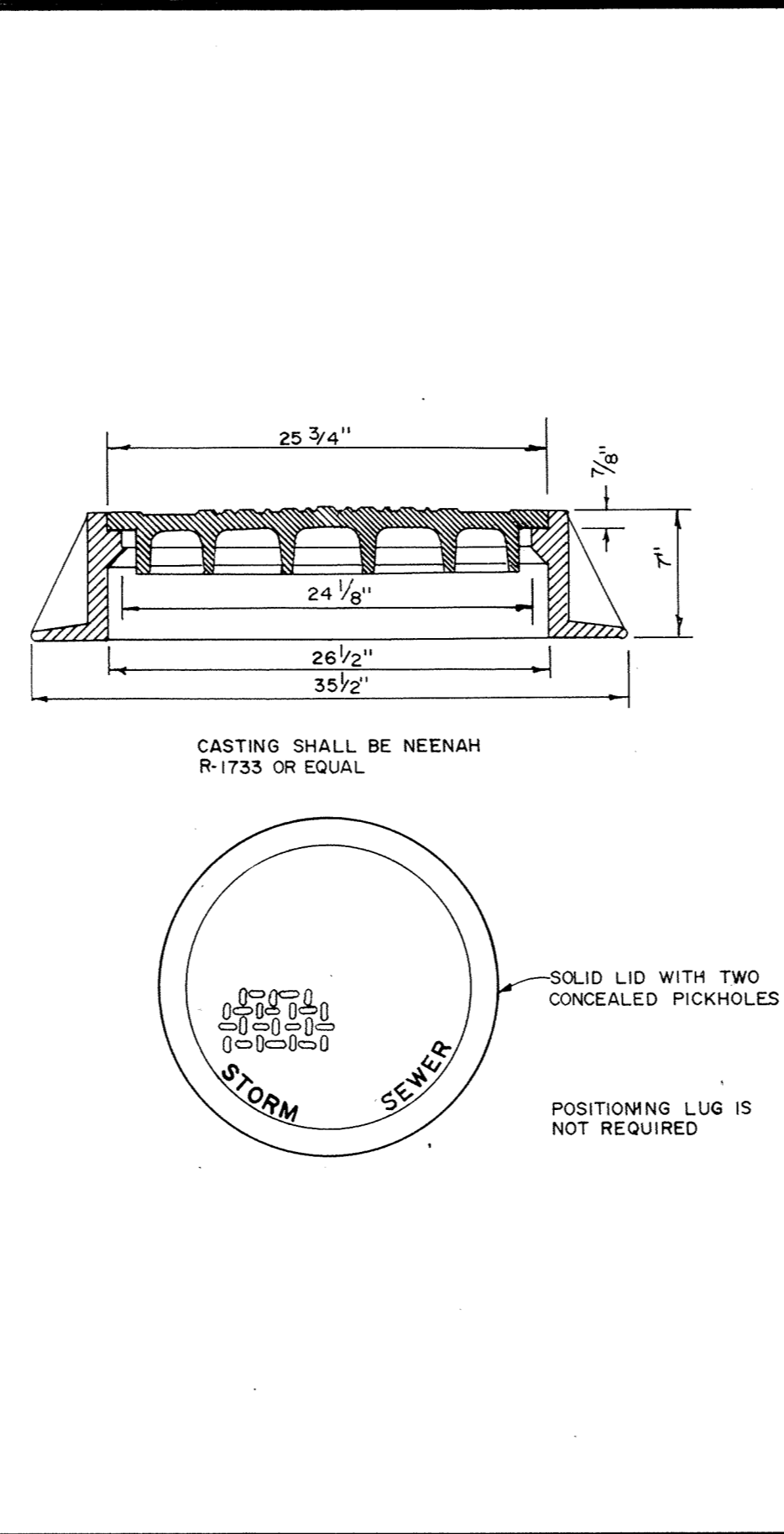


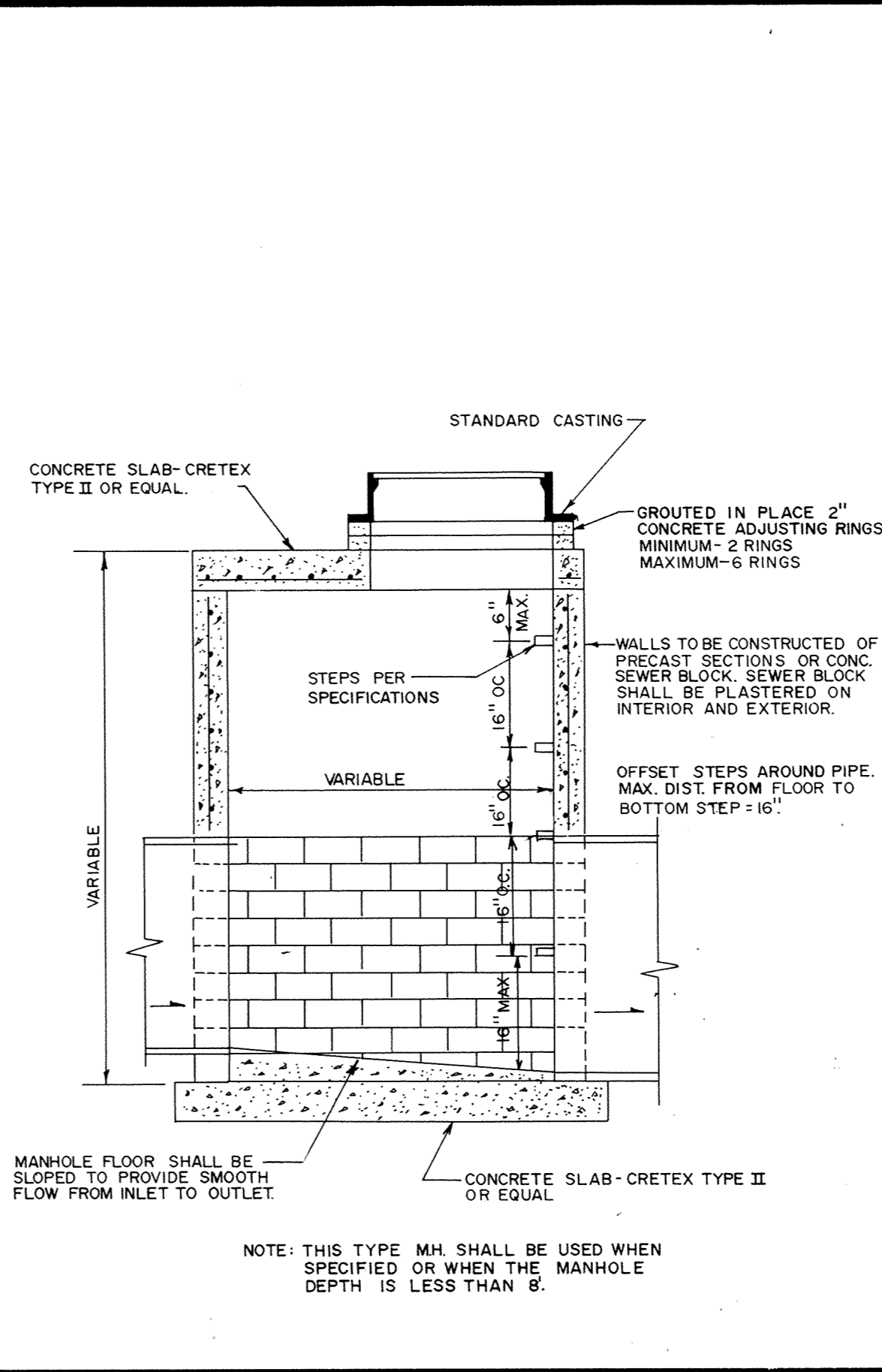
RIP-RAP INSTALLATION



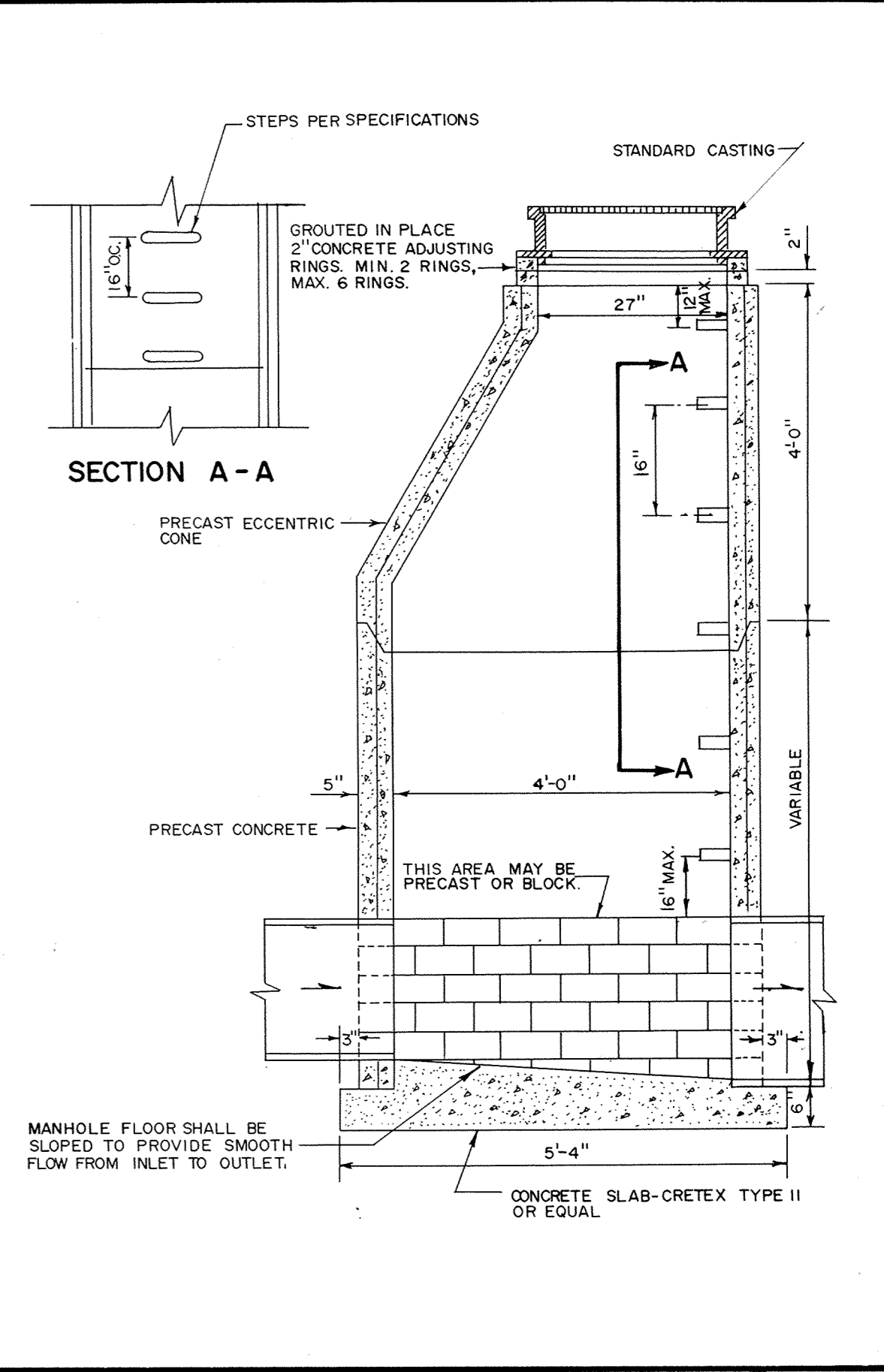
TRASH GUARD



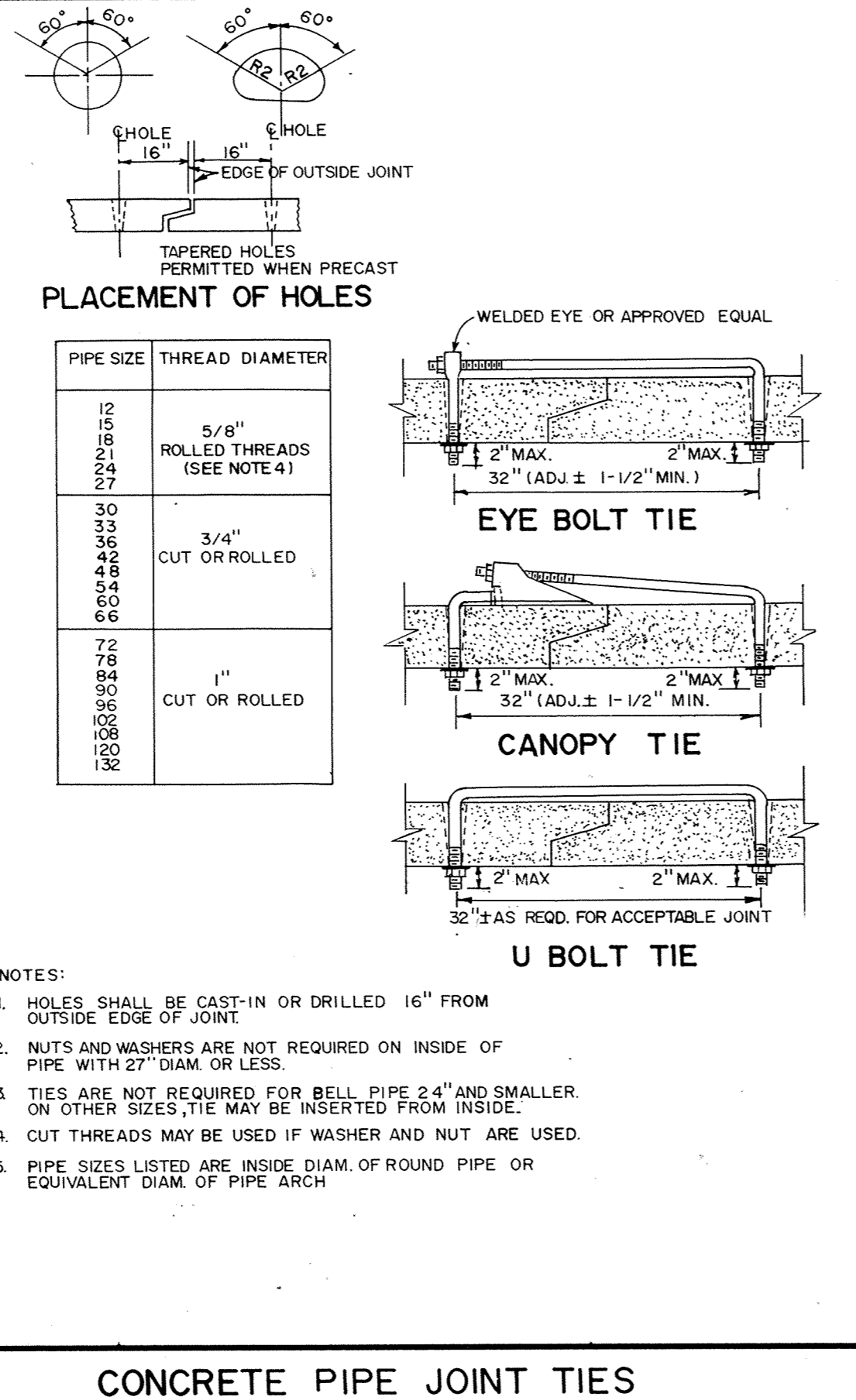
STANDARD MANHOLE CASTING



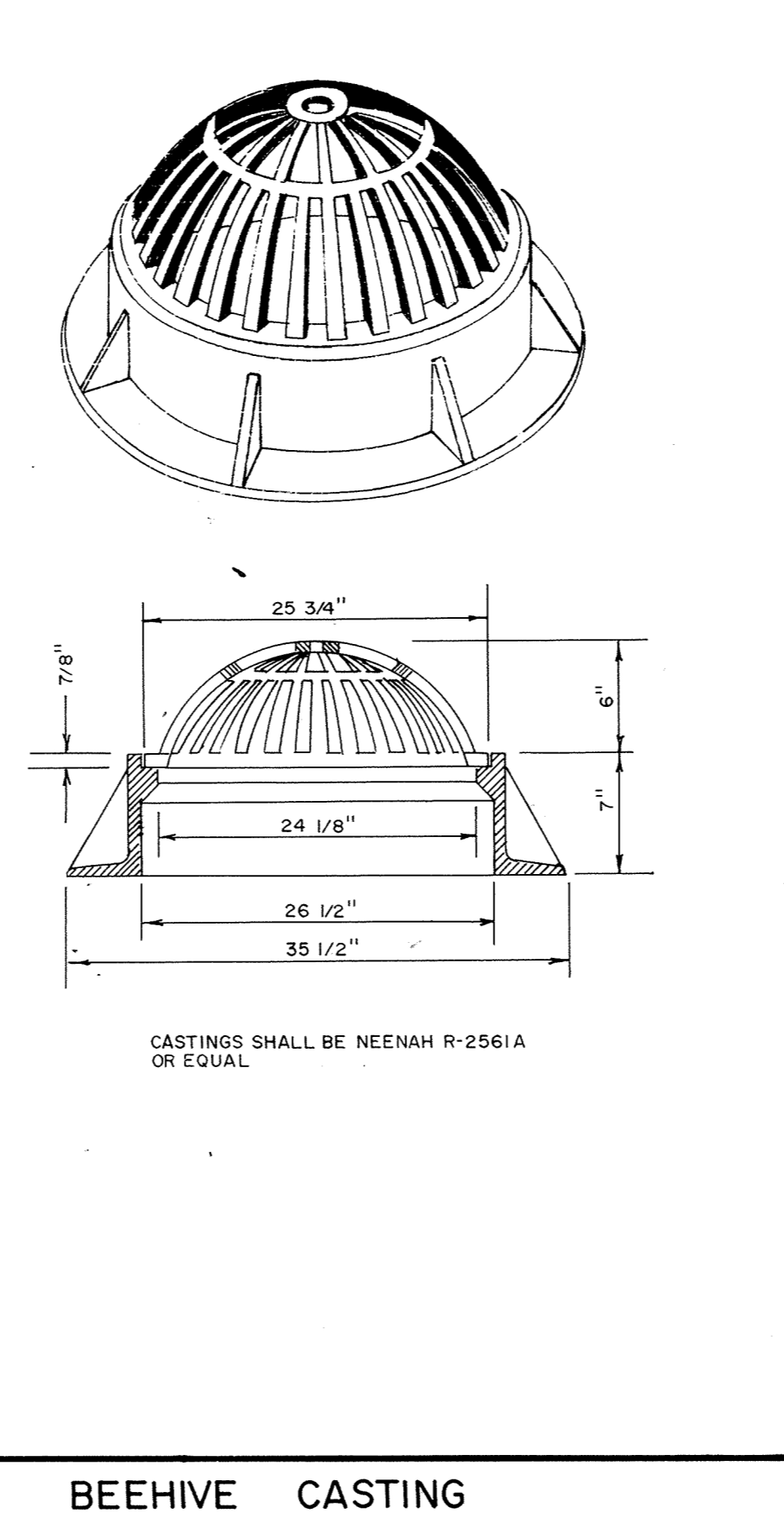
SLAB-TOP MANHOLE



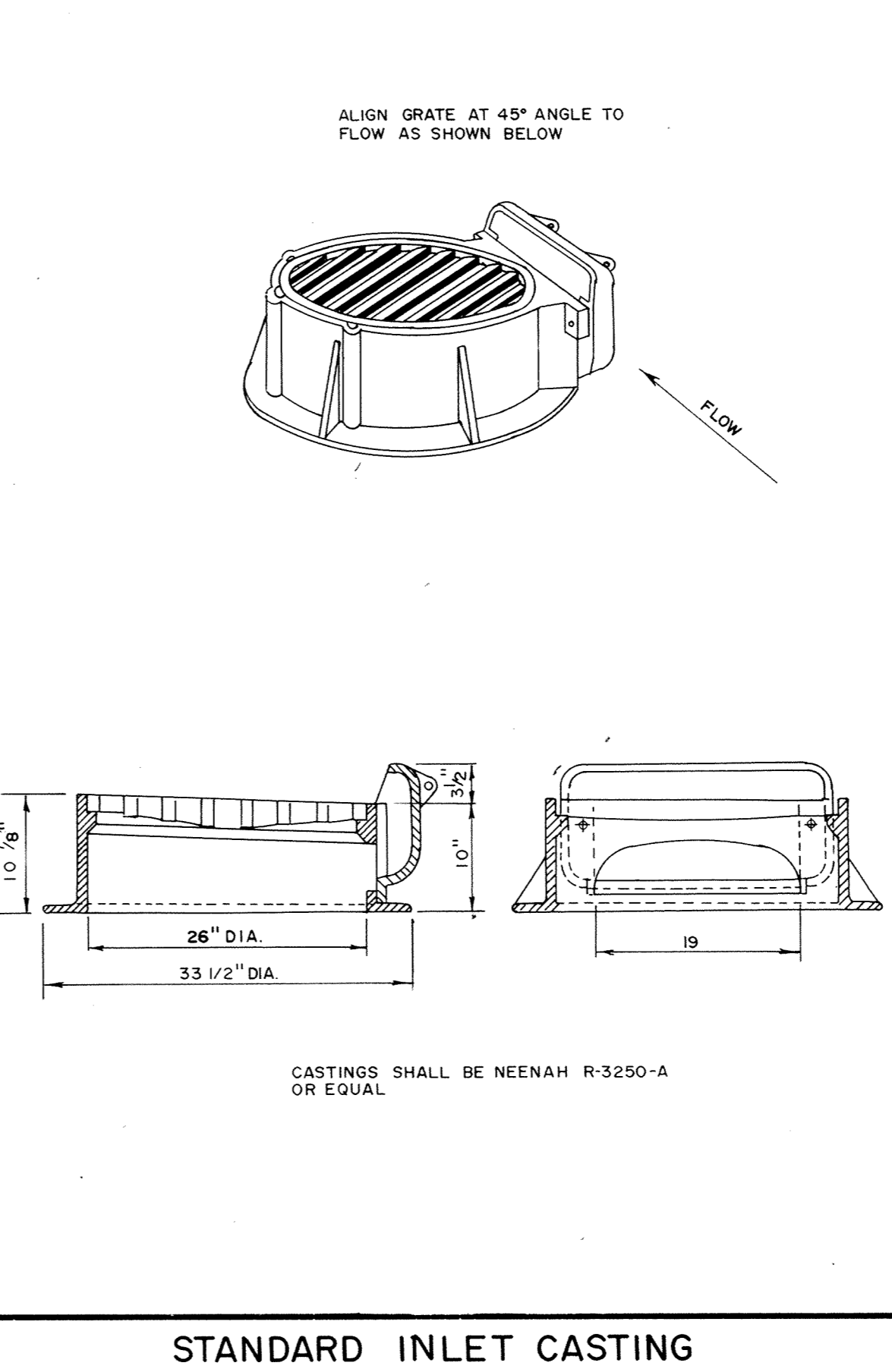
STANDARD MANHOLE



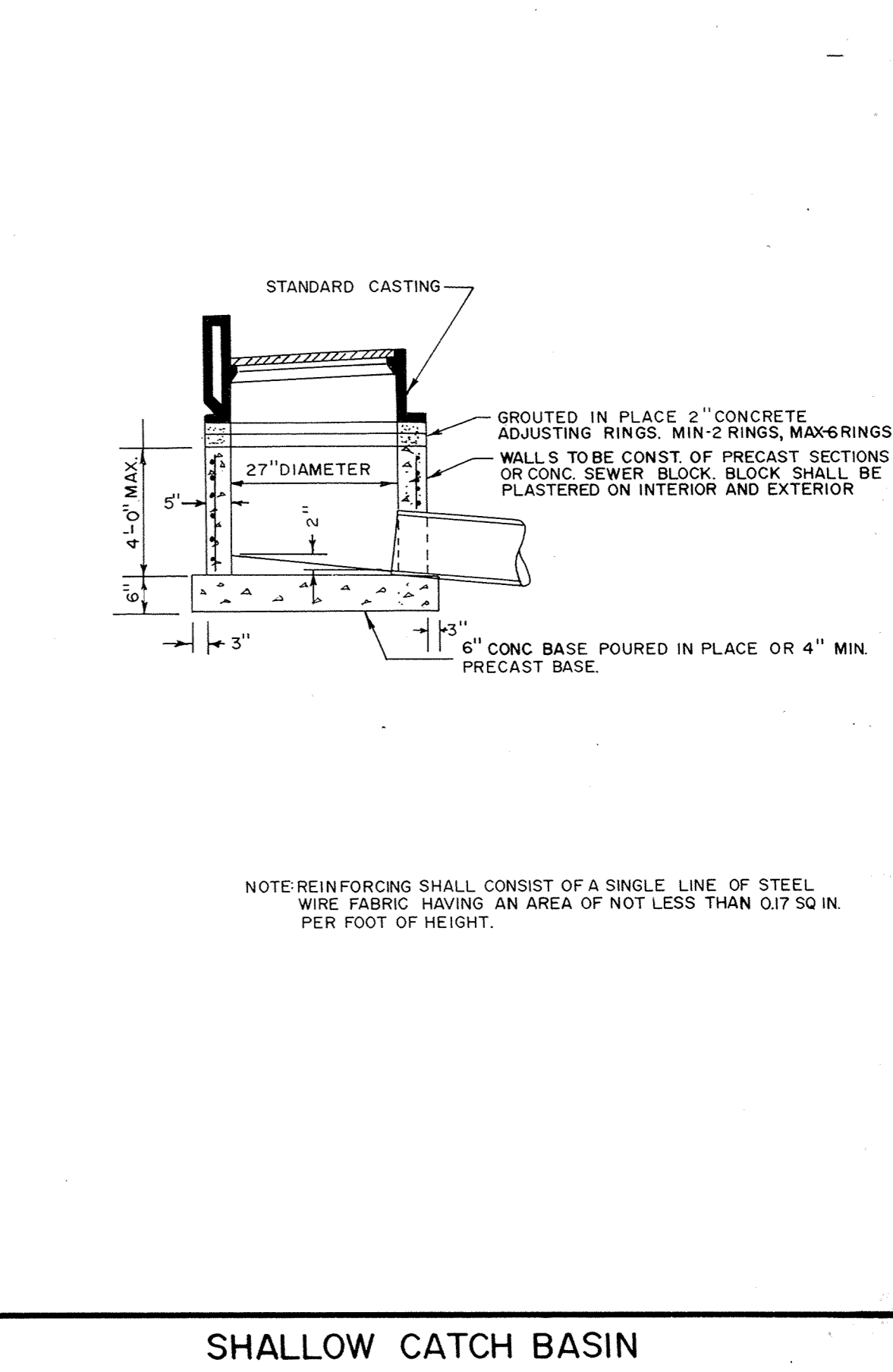
CONCRETE PIPE JOINT TIES



BEEHIVE CASTING



STANDARD INLET CASTING



SHALLOW CATCH BASIN

MSA CONSULTING ENGINEERS
Maier Stewart & Associates Inc.
480 CEDAR STREET (612)227-9475 ST. PAUL, MINNESOTA 55101

REVISIONS	DATE	DESCRIPTION	DESIGNED	CHECKED	DRAWN

GRAPHIC SCALE
0 HORIZ. 1/8" = 1'-0"
0 VERT. 1" = 1'-0"

CITY OF ELK RIVER
ELK RIVER INDUSTRIAL PARK
STORM SEWER DETAILS

DATE Jan. 1987 SHEET 16 OF 17 SHEETS PROJECT NO. 230-002