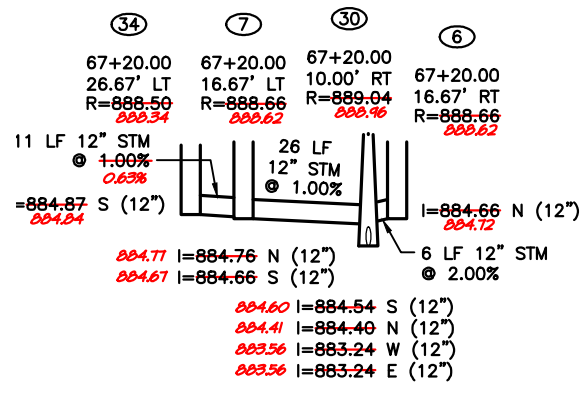
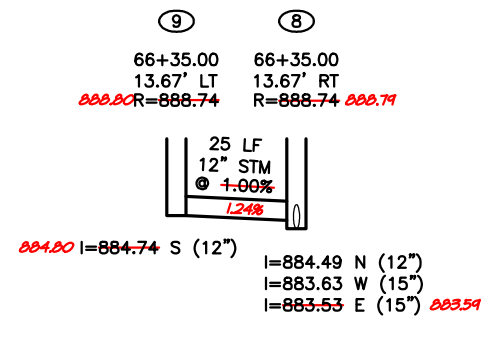


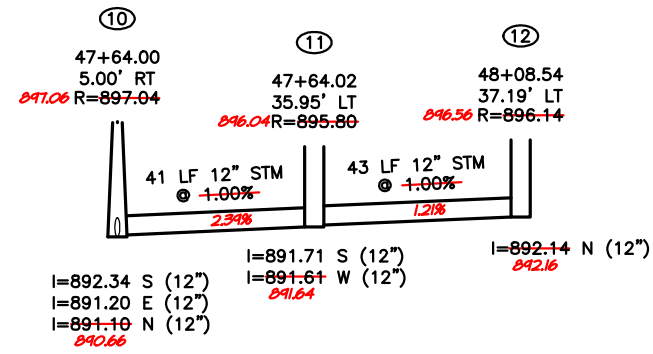
MAIN STREET & EVANS AVENUE



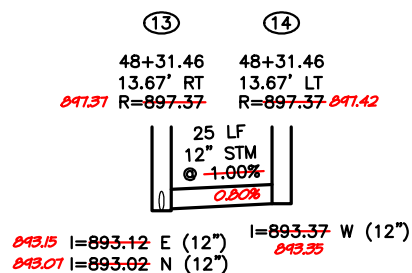
2ND STREET & EVANS AVENUE



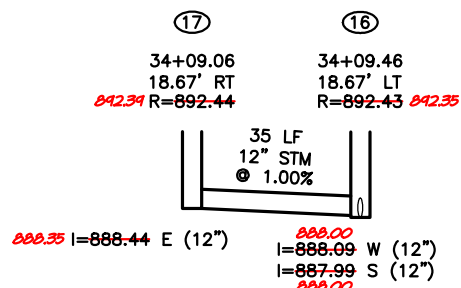
2ND STREET & EVANS AVENUE



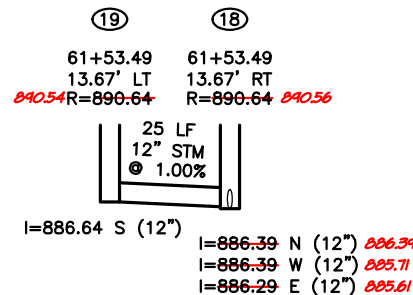
1ST STREET & EVANS AVENUE



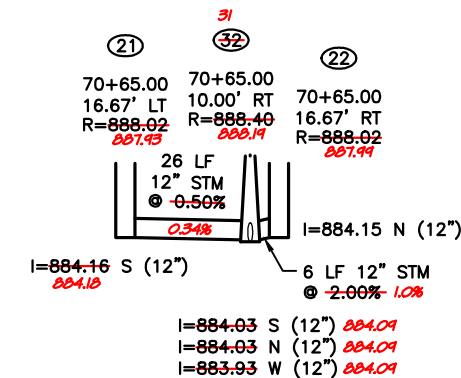
1ST STREET & EVANS AVENUE



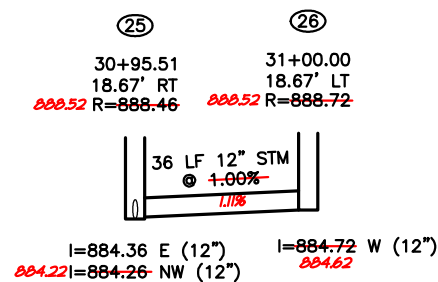
2ND STREET & FREEPORT AVENUE



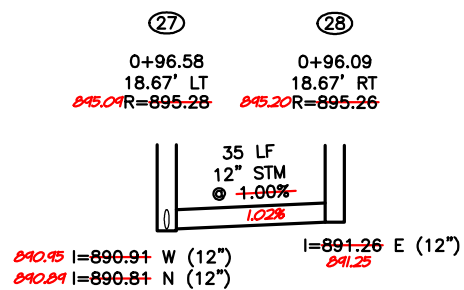
2ND STREET WEST OF FREEPORT AVENUE



2ND STREET CUL-DE-SAC



MAIN STREET & FREEPORT AVENUE



MAIN STREET & GATES AVENUE

# RECORD DRAWING

This record drawing has been prepared, in part, based upon information furnished by others. While this information is believed to be reliable, the DESIGN PROFESSIONAL cannot assume its accuracy, and thus is not responsible for the accuracy of this record drawing or for any errors or omissions which may have been incorporated into it as a result. Those relying on this record document are advised to obtain independent verification of its accuracy before applying it for any purpose.

Date: 10/10/12 By: CODY HOLMES - KGA